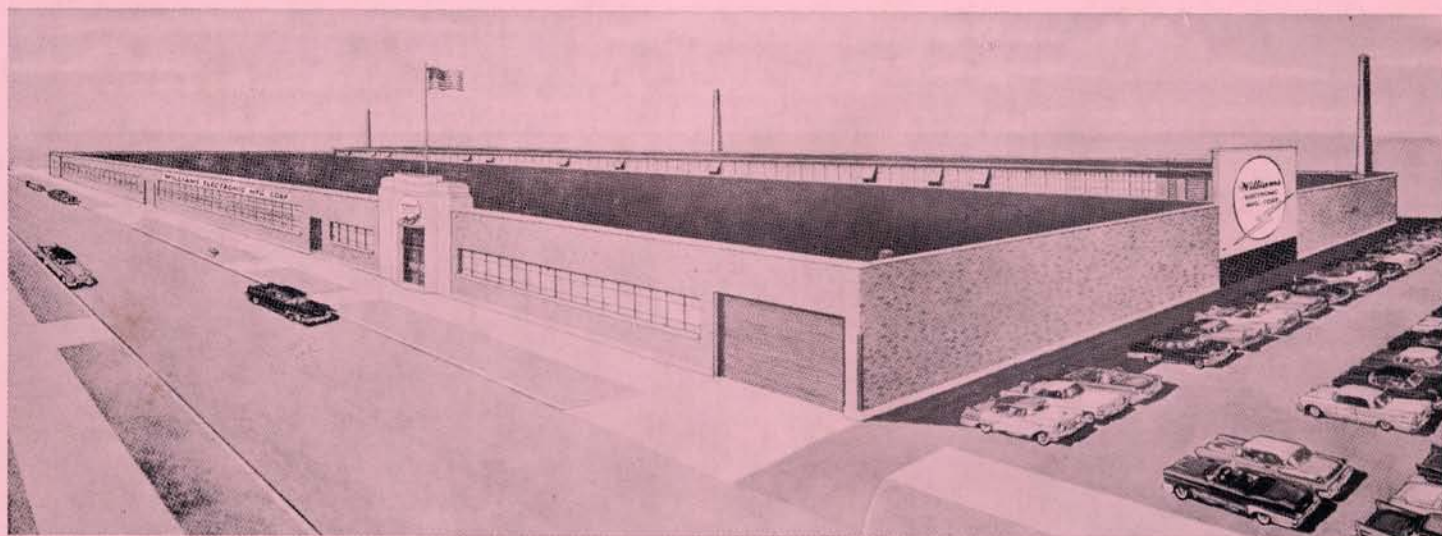




Williams

1963

PARTS CATALOG



Williams ELECTRONIC MANUFACTURING CORP.

4242 W. Fillmore St.
Phone NEvada 2-4900

Chicago 24, Ill. U.S.A.
Cable Address: Wilcoin



Dear Operator:

**Your "WILLIAMS" game is a sound investment that will
make money if, you keep your "WILLIAMS" game,**

"Factory Fresh"

**Just keep it as clean and bright as the day you took it out
of the crate and it will make MORE money!**

GAMES PRODUCED — ORDER OF PRODUCTION

NAME OF GAME	PRODUCTION DATE
ROCKET	11/59
FIESTA	12/59
21	2/60
NAGS	3/60
OFFICIAL BASEBALL	4/60
SERENADE	5/60
DARTS	6/60
VIKING	7/60
JUNGLE	8/60
MUSIC MAN	9/60
SPACE GLIDER	9/60
BLACK JACK	11/60
MAGIC CLOCK	12/60
BOBO	1/61
CARAVELLE	2/61
DeLUXE BATTING CHAMP	2/61
HIGHWAYS	3/61
BATTING CHAMP (NOVELTY)	4/61
HOLLYWOOD	5/61
DeLUXE BATTING CHAMP	6/61
TEN SPOT	6/61
DOUBLE BARREL	8/61
SKILL BALL	9/61
RESERVE	10/61
ROAD RACER	10/61
KISMET	11/61
SPACE SHIP	12/61
METRO	1/62
JOLLY JOKERS	2/62
3 COINS	4/62
EXTRA INNING (BASEBALL)	4/62
1962 WORLD SERIES (BASEBALL)	4/62
COQUETTE	5/62

ALL GAMES FOLLOWING COQUETTE ARE ON 24V

Following Games - 24V

TRADEWINDS	6/62
FRIENDSHIP 7	7/62
VALIANT	8/62
KING PIN	9/62
MARDI GRAS	
VAGABOND	
4 ROSES	
TOM TOM	

TO OUR BEST FRIENDS — OUR CUSTOMERS

In this new 1963 edition of the Williams Parts Catalog you will find new listings on certain parts printed in red. The red indications signify that these parts are used on games built for 24 volt operation.

To make it easy for you, here in the forward, you will find a list of games. All games built prior to tradewinds (6/62) used a 50 volt system. Beginning with tradewinds and all subsequent games use a 24 volt system.

It will help a lot if you will always remember to order your parts by number and description. Specify the quantity and give the name of the game and the unit. A coil chart is packed in every game — always keep it handy and order coils by number and unit.

While the utmost care was used in preparing this catalog we always welcome your suggestions to improve future editions.

THANKS!

Williams Electronic Manufacturing Corp.

ALPHABETICAL INDEX OF GAMES

Description	Page
BASEBALL GAMES.....	56 to 66
BOWLING (Ten Pin & Ten Strike).....	70 to 71
FIVE BALL PIN GAMES.....	1 to 49
GUN TYPE.....	67 to 69
HORSE RACE GAMES.....	72
POOL GAMES.....	55
ROADRACER.....	50 to 54

WHEN ORDERING PARTS

1. Refer to the catalog and order all parts by number and description, specifying quantity and name of game for which parts are being ordered.
2. Figure prices as quoted in the catalog. All prices are subject to change without notice.
3. Returned merchandise will not be accepted unless previously authorized.
4. All prices net F.O.B. our factory.

TABLE OF CONTENTS

	Page No.		Page No.
100 STEP UNIT	1	SWITCH ASSEMBLIES	39
50 STEP UNIT (Resetting)	2	CAM FOLLOWERS & SWITCH BLADES	40
50 STEP UNIT (Non-Resetting)	3	SWITCH ASSEMBLY PARTS	41
REPLAY UNIT	4	WIRE FORMS	42
DRIVE ARM & PAWL ASSEMBLIES (50 Step)	5	SLUG REJECTOR MOUNTING & PARTS	43
ARM & PAWL ASSEMBLIES (100 Step)	6	BALL GATE & MERCURY TILT SWITCH	44
GEAR & SHAFT ASSEMBLIES (50 Step & 100 Step)	7	CABINET PARTS	45
SNOWSHOE WIPER ASSEMBLIES (50 Step & 100 Step) (New)	8	CABINET PARTS	46
SNOWSHOE WIPER ASSEMBLIES (50 Step & 100 Step) (Old Type) 9		PLAYFIELD ARCHES	47
10 STEP UNIT (With Contact Disc)	10	FRONT MOULDING ASSEMBLIES	48
10 STEP UNIT (Without Contact Disc)	11	INSERT HINGE — MISCELLANEOUS PARTS	49
10 STEP UNIT PARTS	12	ROAD RACER — STEERING WHEEL ASSEMBLY	50
10 STEP UNIT PARTS & SWITCHES	13	ROAD RACER — STEERING MECHANISM	51
RELAY BANK ASSEMBLY	14	ROAD RACER — TIMER MOTOR — CAR ASSEMBLY	52
"JET" BUMPER ASSEMBLY	15	ROAD RACER — DRUM MOTOR & PARTS	53
SWINGING TARGET ASSEMBLY (New)	16	ROAD RACER — MISCELLANEOUS PARTS	54
SWINGING TARGET SLAVE UNIT	17	POOL TABLE — MISCELLANEOUS PARTS	55
SWINGING TARGET ASSEMBLY (Old Type)	18	PITCHER UNIT ASSEMBLY (Official Baseball)	56
DROP TARGET ASSEMBLY	19	BALL TRACK ASSEMBLY	57
DISAPPEARING JET BUMPER	20	PITCHER UNIT ASSEMBLY	58
DISAPPEARING JET BUMPER	21	PITCHER UNIT ASSEMBLY	59
"E" RELAY ASSEMBLY	22	BATTER UNIT ASSEMBLY (New)	60
"J" & "M" TYPE RELAY ASSEMBLIES	23	BATTER UNIT ASSEMBLY (Old)	61
"L" & "Z" TYPE RELAY ASSEMBLIES	24	BAT HANDLE LEVER ASSEMBLY	62
INTERLOCK RELAY ASSEMBLIES	25	BAT HANDLE LEVER ASSEMBLY (1957 Baseball)	63
BALL LIFT ASSEMBLIES	28	MAN RUNNING UNIT ASSEMBLY	64
BALL LIFT ASSEMBLY & PARTS	27	BALL PLAYER ASSEMBLIES	65
BALL SHOOTER & BALL RELEASE ASSEMBLIES	26	BASEBALL MISCELLANEOUS PARTS	66
FLIPPER ASSEMBLY & PARTS	29	RIFLE ASSEMBLY & PARTS	67
FLIPPER PARTS	30	GUN GAME PARTS	68
BALL EJECT ASSEMBLIES	31	GUN GAME PARTS	69
CHIME BOX ASSEMBLY & KICKER ASSEMBLY	32	BOWLER MANNIKIN & PARTS	70
KNOCKER ASSEMBLY & SHOOTER COIL ASSEMBLY	33	BOWLER — MISCELLANEOUS PARTS	71
BELL & BELL ASSEMBLIES	34	HORSE GAME — PARTS	72
SOLENOID PLUNGERS	35	PARTS LIST	73
COIL REPLACEMENT SLEEVES	36	PARTS LIST	74
MOTOR CAM SWITCHES	37	PRICE LISTING — (Arranged by Group of Related Parts)	75-81
MISCELLANEOUS PIN GAME SWITCHES	38	PRICE LISTING — (Arranged in Numerical Order)	82-91

LUBRICATION GUIDE.

	FINE OIL 3 IN 1	LUBRIPLATE (WHITE)	GUNSLICK (BLACK)	PARAFFIN OR SOAP
STEP AND REPLAY UNITS.				
Do not lubricate solenoid plungers!				
Drive, reset and lock arms pivot		X		
Ratchet shaft	X			
Ratchet teeth (metal)			X	
Ratchet pawl pivots		X		
Torsion springs	X			
Contact disc segments and rivets		X		
RELAY BANK ASSEMBLIES.				
Do not lubricate solenoid plunger!				
Crank arm pivots		X		
Rear leg hinge pivots		X		
Reset arm lift edge		X		
JET BUMPERS & DISAPPEARING JET.				
Do not lubricate solenoid plungers!				
Bumper switch cup		X		
Rods		X		
Cam lock arm pivot		X		
Bumper cam link pivots		X		
Rollers	X			
BALL EJECT & KICKER ASSEMBLIES.				
Do not lubricate solenoid plunger!				
Ejector or kicker pivots		X		
Link		X		
FLIPPER ASSEMBLIES.				
Do not lubricate solenoid plunger!				
Armature link		X		
BALL RELEASE ASSEMBLY.				
Do not lubricate solenoid plunger!				
Fibre Link		X		
Ball release lever pivot		X		

	FINE OIL 3 IN 1	LUBRIPLATE (WHITE)	GUNSLICK (BLACK)	PARAFFIN OR SOAP
BALL SHOOTER ASSEMBLY.				
Shooter rod	X			
BALL LIFT PUSHER ASSEMBLY				
Push rod	X			
Pusher end assembly (at bushing)	X			
Pusher end assembly (end face)		X		
BALL LIFT ASSEMBLY.				
Ball lift arm pivots		X		
RELAYS.				
No lubrication except surface in contact with latch arm of interlocking relay. At this point use lubriplate.				
BELLS, KNOCKERS SHOOTER COILS.				
No lubrication.				
SLUG REJECTORS.				
No lubrication.				
SLUG REJECTOR MOUNTING ASSEMBLY.				
Actuating arm pivot	X			
Plunger	X			
MOTORS, OPEN GEAR CASE.				
Gear trains	X	X		
FLIPPER BUTTONS.				
Bushing (in cabinet)	X			
BALL SHUFFLE PANELS (MASONITE.)				
Sliding edge of panels and guides				X

ALPHABETICAL INDEX

Description	Page	Description	Page
— A —			
ARCH, BOTTOM PLAYFIELD	47	CONTACT DISC ASSEMBLY (Guns)	67
ARCH HOLE LINER	47	CONTACT DISC ASSEMBLY (Disappearing Jet Bumper)	20
ARMATURE ASSEMBLIES, "J" RELAY & "M" RELAY	23	CONTACT DISC ASSEMBLY (10 Step Unit)	12
ARMATURE ASSEMBLIES, "E" RELAY	22	CONTACT FINGER ASSEMBLY (10 Step Unit)	12
ARMATURE ASSEMBLIES, "Z" RELAY & "L" RELAY	24	— D —	
ASSEMBLIES (Price Listing)	76	DISAPPEARING JET BUMPER ASSEMBLY	20-21-76
— B —			
BALLS (Price Listing)	79	DOORS, CABINET (Price Listing)	76
BALL EJECT ASSEMBLIES	31	DRIVE ARM & PAWL ASSEMBLIES	5-6
BALL FLAP	66	DRIVE CRANK ASSEMBLY (10 Step Unit)	13
BALL GATE	44-45	DROP TARGET ASSEMBLY	19
BALL KICKER ASSEMBLY	32-76	— E —	
BALL LIFT ASSEMBLY	27-28	"E" RELAY, ASSEMBLY & PARTS	22
BALL LIFT GUIDE	27	EJECT, BALL EJECT ASSEMBLY	31
BALL PUSHER ASSEMBLY	28	— F —	
BALL RAMP	66	FASTENERS (Price Listing)	81
BALL RELEASE ASSEMBLY	26	FINGER, CONTACT FINGER ASSEMBLY (10 Step Unit)	12
BALL SHOOTER ASSEMBLY	26	FISHPAPER BLADES	41
BALL STOP BRACKET	49	FLIPPER BUTTON ASSEMBLY	45
BANK, RELAY BANK ASSEMBLY	14	FLIPPER & COIL ASSEMBLY	29-76
BASEBALL PLAYERS	56-64	FLIPPER PLUNGER ASSEMBLY	29
BASEBALL PARTS	56-66	FRONT MOULDING	48-75
BASE, SWITCH ASSEMBLY	39	FUSES (Price Listing)	80
BAT, PLASTIC	61	— G —	
BAT HANDLE LEVER ASSEMBLIES	63	GATE, BALL	44-45
BATTER UNIT ASSEMBLY	60-76	GEARS & SHAFTS (Step Units)	7
BELL ASSEMBLY, LARGE	34	GLASS, PLAYFIELD (Price Listing)	75
BELL ASSEMBLY, SMALL	34	GLASS, SCREENED LITEBOX (Price Listing)	75
BOWLER MANNIKIN	70-77	GROUND WIRE, (10 Step Unit)	12
BOWLING PIN, TEN PIN, TEN STRIKE	71-77	GUN GAME PARTS	67-68-69
BUMPER ASSEMBLY, "JET"	15-76	— H —	
BUMPER SWITCH ASSEMBLY	39	HARDWARE, MISCELLANEOUS (Price Listing)	81
BUMPER SWITCH BLADE	40	HINGE, INSERT	49
— C —			
CABINETS — BASEBALL	76	HOLE COVER ASSEMBLY	44
CABINETS MISCELLANEOUS (Baseball Cabinet Hardware)	76	HORSE GAME PARTS	77-78
CABINETS, FIVE BALL (Shelf Type) (Price Listing)	75	— I —	
CABINETS, FIVE BALL (Single Player) (Price Listing)	75	INSERT HINGE	49
CABINETS, FIVE BALL (Multi Player) (Price Listing)	75	INSULATOR BLADES, SWITCHES	41
CABINETS, MISCELLANEOUS HARDWARE (Price Listing)	75	INTERLOCK RELAY ASSEMBLY	25
CABINET DOORS (Price Listing)	76	— J —	
CAM FOLLOWERS	40	"J" RELAY ASSEMBLY	23
CAM, MOTOR CAM ASSEMBLIES	35	"JET" BUMPER ASSEMBLY	15-76
CAM & RATCHET HUB - 10 STEP UNIT	12	"JET" BUMPER DISAPPEARING	20-21-76
CARBON PLUMB BOB ASSEMBLY	45	"JET" BUMPER SWITCH ASSEMBLY	39
CHIME BOX ASSEMBLY	32	— K —	
CHROME FLIPPER ASSEMBLY	29	KEY HOOK	46
CIGARETTE HOLDER	46	KICKER ASSEMBLY	32
COILS (Price Listing)	79	KNOCKER ASSEMBLY	33
COIL REPLACEMENT SLEEVES	36		
COMMUTATOR BRUSH ASSEMBLY (Roadracer)	54-76		
COIN CHUTES (Price Listing)	79		
COIN ENTRY PLATE	46		
COIN GUIDE	49		
COIN REJECTOR MOUNTING	43		
COIN RETURN CUP	43		
COIN SLIDE ASSEMBLY	49		
COIN SWITCH	43		
COIN SWITCH WIRE	43		

Description	Page
— L —	
"L" TYPE RELAY ASSEMBLY.....	24
LATCH, RELAY ASSEMBLY.....	25
LEGS, METAL (Price Listing).....	75
LEGS, TUBULAR (Price Listing).....	75
LIFT, BALL LIFT, ASSEMBLY.....	27-28
LIFT, BALL LIFT GUIDE.....	27
LIFTER, SWITCH BLADE LIFTER.....	41
LIGHT BULBS (Price Listing).....	80
LIGHT SOCKETS (Price Listing).....	80
LOCK, BACK DOOR (Price Listing).....	75
LOCK, FRONT DOOR (Price Listing).....	75
LOCK ARM ASSEMBLY (100 Step Unit).....	6
LOCK ASSEMBLY (Roadracer).....	54-76

— M —

"M" RELAY ASSEMBLY & PARTS.....	23
MAN RUNNING UNIT (Baseball).....	64
MERCURY TILT SWITCH.....	44
METAL FLIPPER ASSEMBLY.....	29
METER, COUNTING.....	45
MISCELLANEOUS CABINET HARDWARE (Price Listing).....	75
MISCELLANEOUS PIN GAME SWITCHES.....	38
MISCELLANEOUS HARDWARE (Price Listing).....	81
MOTORS (Price Listing).....	78
MOTOR-CAM ASSEMBLIES.....	35
MOTOR CAM SWITCHES.....	37
MOTOR-DISAPPEARING "JET" BUMPER.....	20
MOTOR-DRUM UNIT (Roadracer).....	53-76
MOTOR-PITCHER UNIT.....	59
MOTOR-SWINGING TARGET.....	16-18
MOTOR-TIMER UNIT (Roadracer).....	52-76
MOULDING-CABINET (Price Listing).....	75

— P —

PARTS LIST.....	73-74
PAWL ASSEMBLIES.....	5-6-13
PLASTIC BAT (Baseball).....	61
PLASTIC FLIPPER ASSEMBLY.....	29-78
PLASTIC PARTS (Price Listing).....	78
PLASTIC TARGET.....	16-17-18-78
PITCHER UNITS (Baseball).....	56-58-59-76
PLUNGER ASSEMBLY, FLIPPER.....	29
PLUNGERS, SOLENOID.....	35
POOL TABLE PARTS.....	55-77
PULLEYS-ROADRACER.....	51-53-76
PUSHER, BALL LIFT PUSHER ASSEMBLY.....	28

— R —

RATCHET, GEAR & SHAFT ASSEMBLIES.....	7
RATCHET, HUB & CAM (10 Step Unit).....	12
REBOUND RUBBER ASSEMBLY.....	45
REEL, (10 Step Unit).....	12
REJECTOR, MOUNTING ASSEMBLY.....	43
RELAY ASSEMBLY "E" TYPE.....	22
RELAY ASSEMBLY "J" TYPE.....	23
RELAY ASSEMBLY - LATCH.....	25
RELAY ASSEMBLY "L" TYPE.....	24

Description	Page
RELAY ASSEMBLY - "M" TYPE.....	23
RELAY ASSEMBLY - "Z" TYPE.....	24
RELAY COILS (Price Listing).....	78-79
RELEASE, BALL RELEASE ASSEMBLY.....	26
REPLACEMENT, COIL SLEEVES.....	36
REPLAY UNIT.....	4
RESET ARM ASSEMBLY.....	6
RESISTORS, (Price Listing).....	81
RIFLE ASSEMBLY.....	67
ROADRACER PARTS.....	50-51-52-53-54-76
ROLLOVER SWITCH BLADES.....	40
ROLLOVER WIRE FORMS.....	42
ROLL TILT ASSEMBLY.....	46
RUBBER PARTS (Price Listing).....	79
RUBBER RINGS (Price Listing).....	79
RUBBER BAT SLEEVE.....	61
RUN SWITCH ASSEMBLY.....	39

— S —

SHAFTS-GEAR & SHAFT ASSEMBLIES.....	7
SHOOTER-BALL SHOOTER ASSEMBLIES.....	26
SHOOTER COIL ASSEMBLY.....	33
SNOWSHOE WIPER ASSEMBLY.....	8-9
SOLENOID PLUNGERS.....	35
SPACERS-SWITCH.....	41
SPRINGS - WIPER ASSEMBLIES.....	8-9
STAND UP SWITCH ASSEMBLY.....	39
STEERING WHEEL PARTS (Roadracer).....	50-51
STEP UNITS - 10 STEP.....	10-11-76
STEP UNITS - 50 STEP.....	2-3-4-76
STEP UNITS - 100 STEP.....	1-76
SWITCH ASSEMBLIES.....	39-80
SWITCH BLADES.....	40
SWITCH PARTS.....	41
SWINGING TARGET ASSEMBLY.....	16-17-18-76

— T —

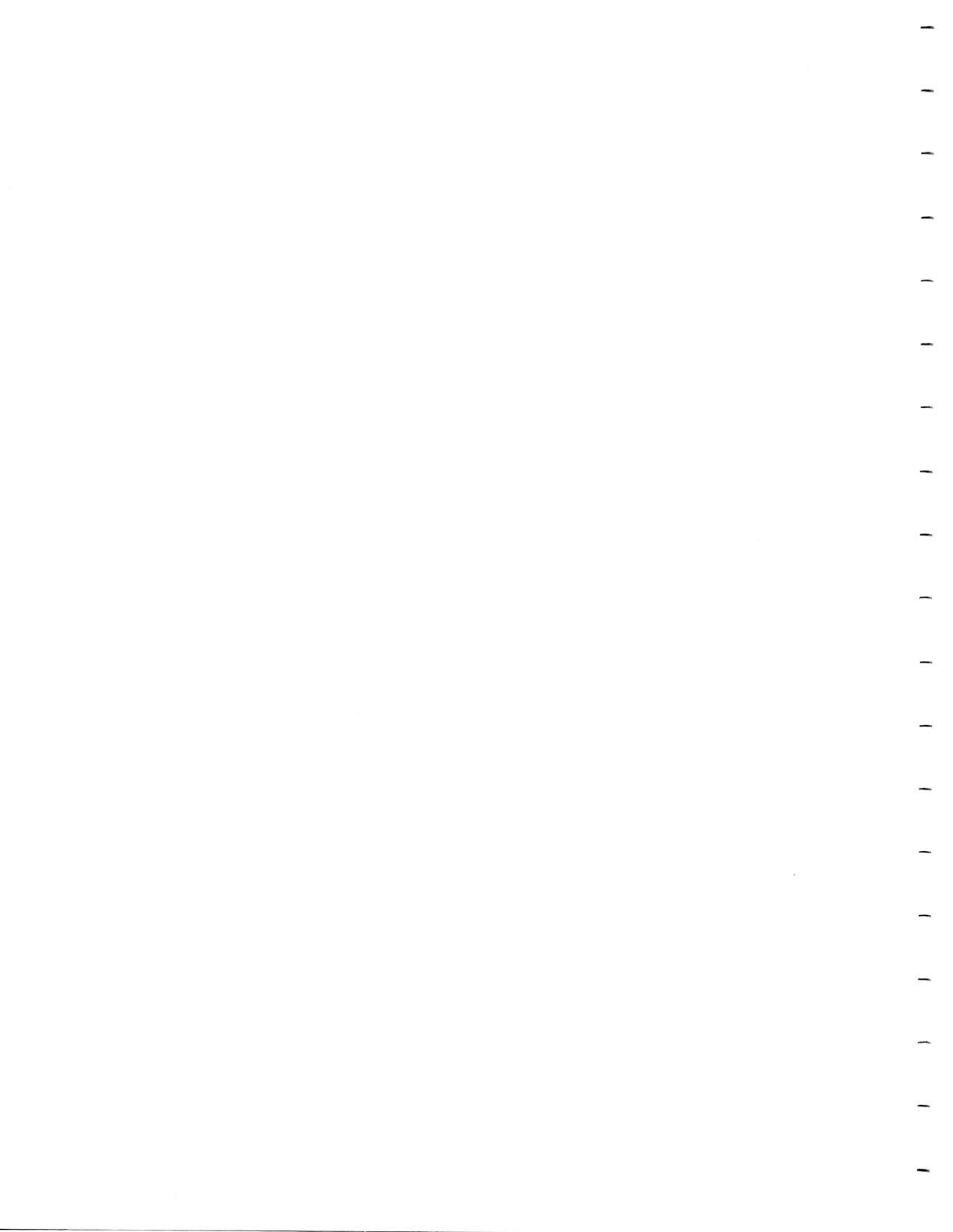
TARGET-PLASTIC.....	16-17-18-76
TARGET-SWINGING TARGET ASSEMBLY.....	16-17-18-76
TARGET SWITCH ASSEMBLY.....	39
TARGET SWITCH BLADES.....	40
TEN PIN & TEN STRIKE PARTS.....	70-71-77
TILT ASSEMBLY-CARBON PLUMB BOB.....	45
TILT-ROLL TILT ASSEMBLY.....	46
TRANSFORMERS (Price Listing).....	79
TUBING-SWITCH.....	41

— W —

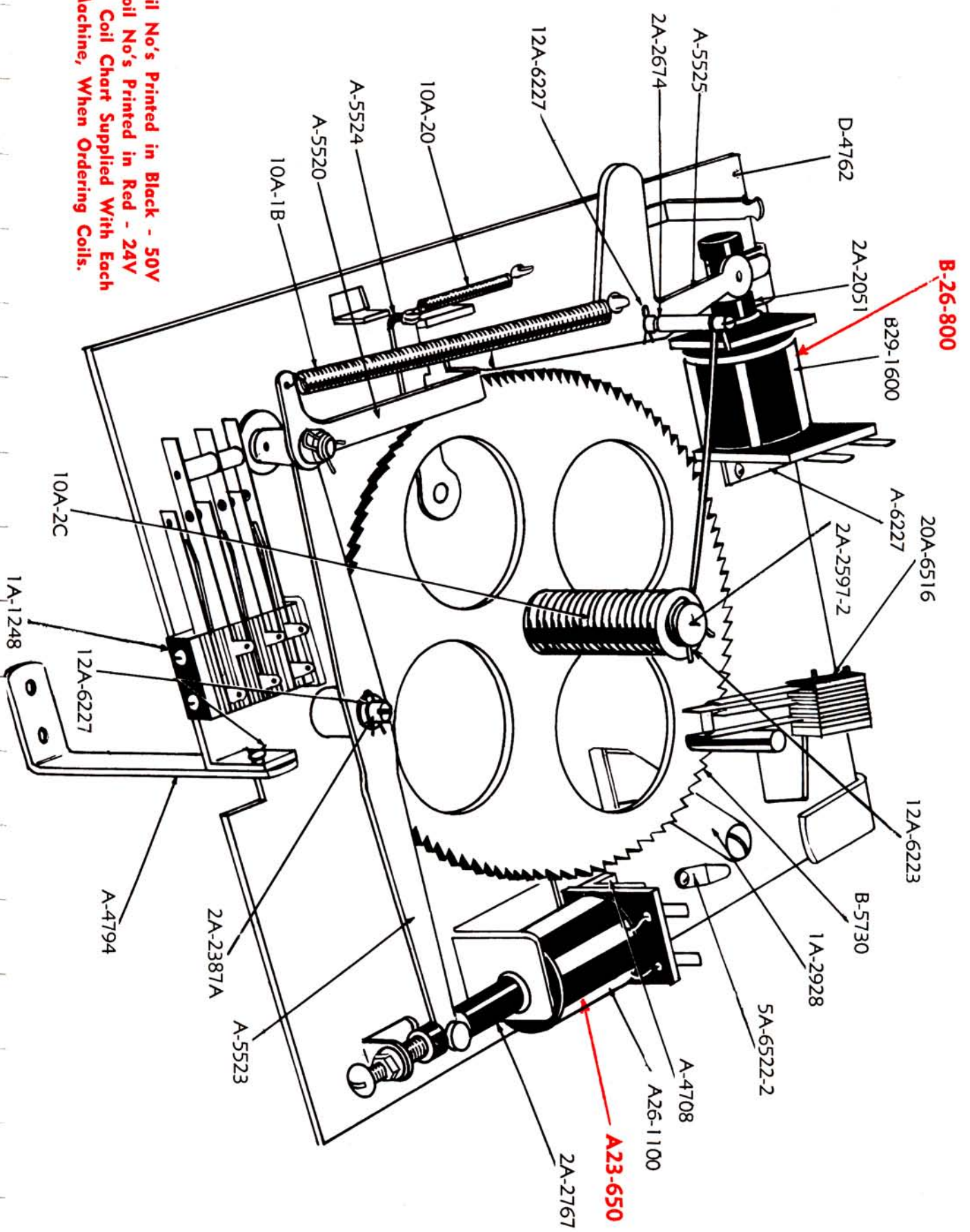
WHEEL-STEERING WHEEL PARTS (Roadracer).....	50-51-76
WIPER ASSEMBLIES.....	8-9
WIPER BLADES.....	8-9
WIPER SPRINGS.....	8-9
WIRE FORMS.....	42

— Z —

"Z" RELAY-ASSEMBLY & PARTS.....	24
---------------------------------	----



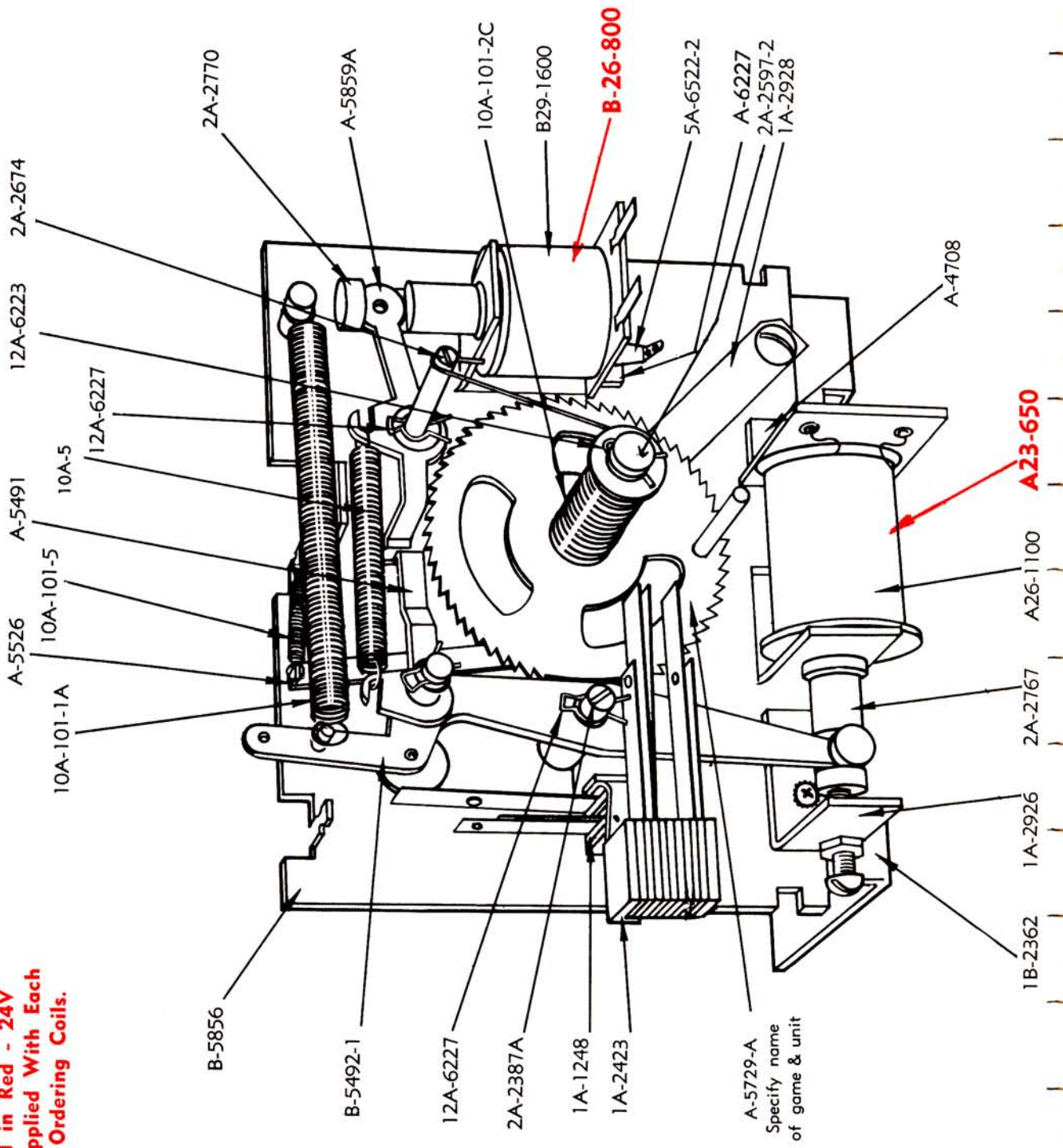
No. D-4798 100 STEP UNIT



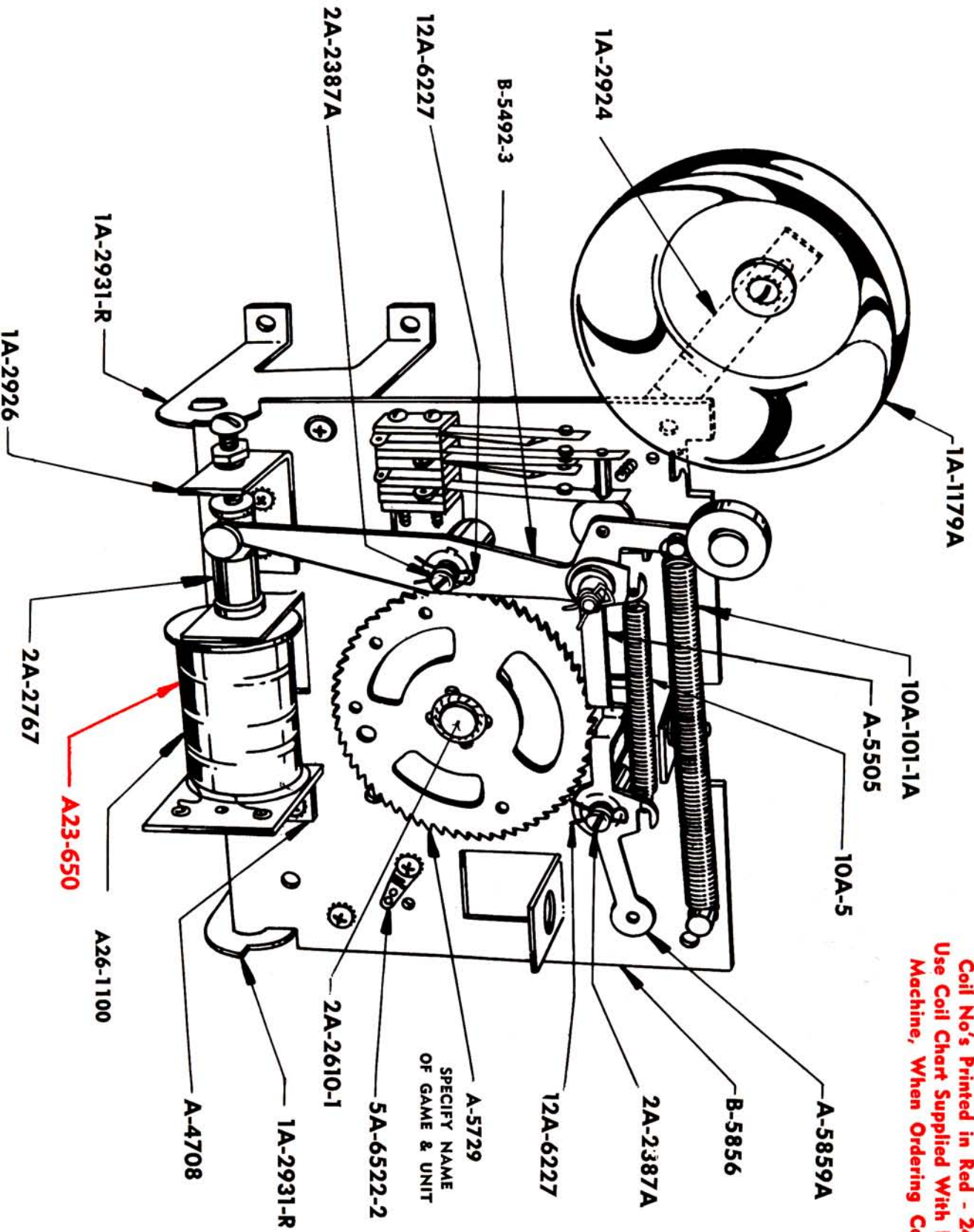
Coil No's Printed in Black - 50V
 Coil No's Printed in Red - 24V
 Use Coil Chart Supplied With Each
 Machine, When Ordering Coils.

50 STEP UNIT — RESETTING C-5694

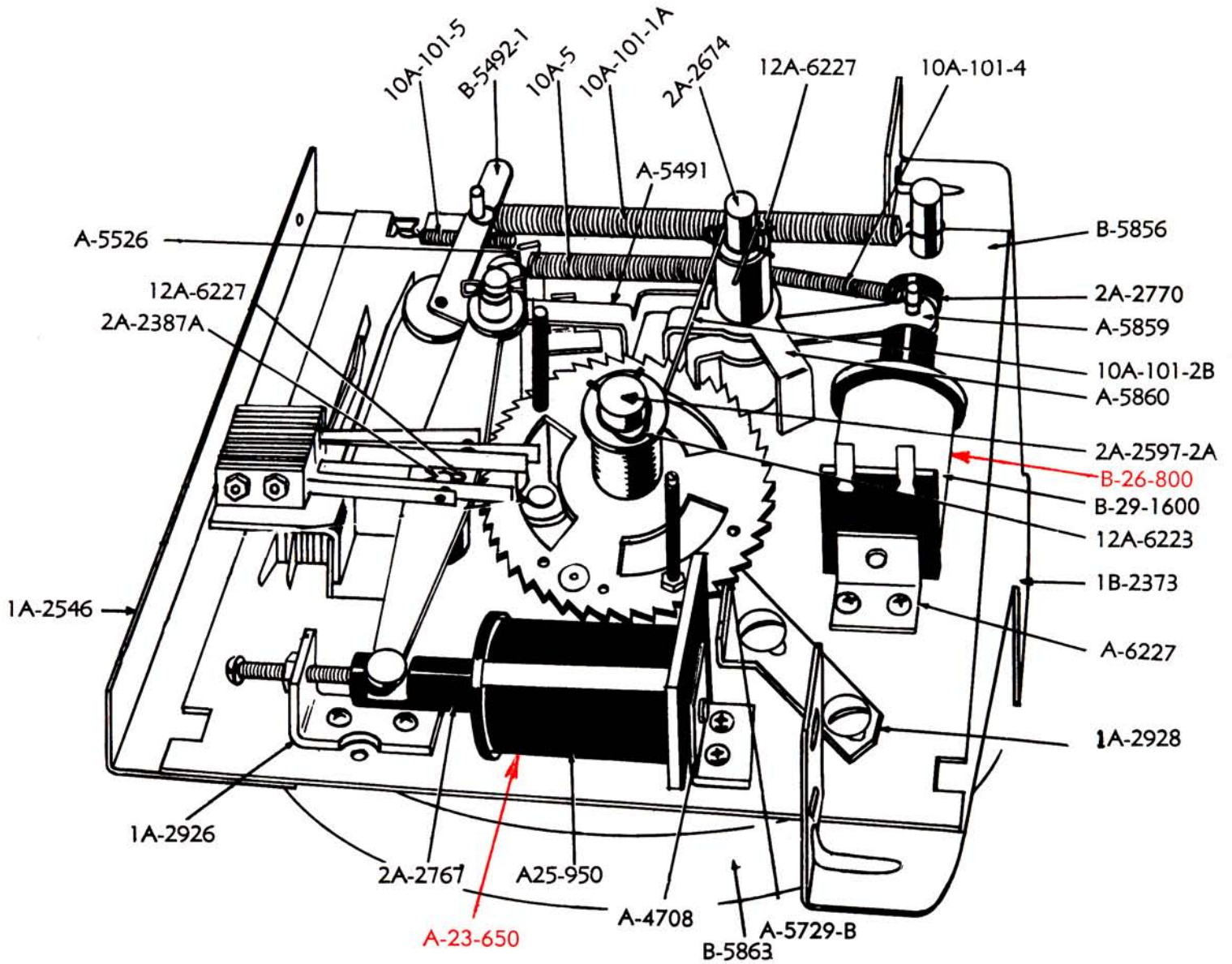
Coil No's Printed in Black - 50V
Coil No's Printed in Red - 24V
Use Coil Chart Supplied With Each
Machine, When Ordering Coils.



50 STEP UNIT (NO RESET) C-5745

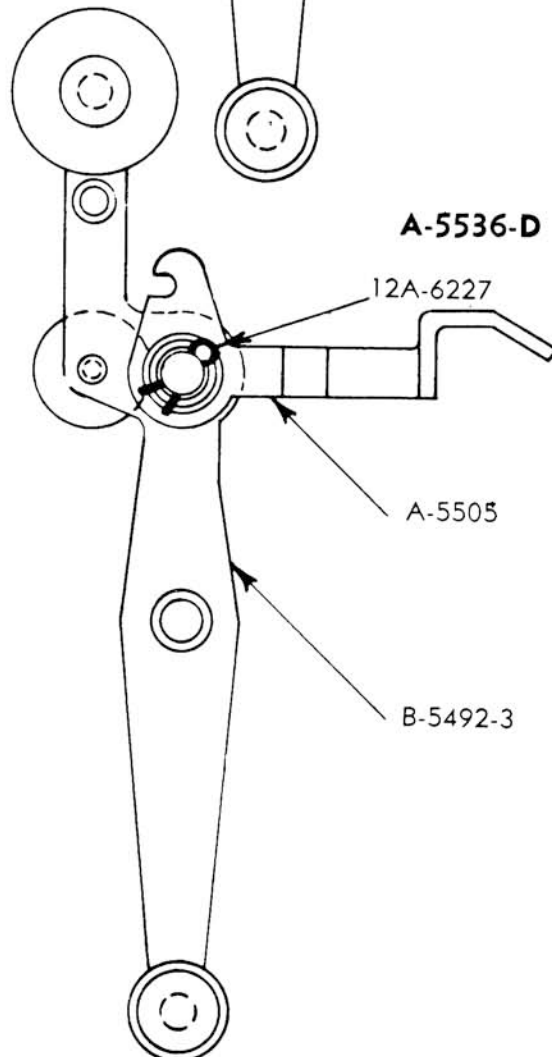
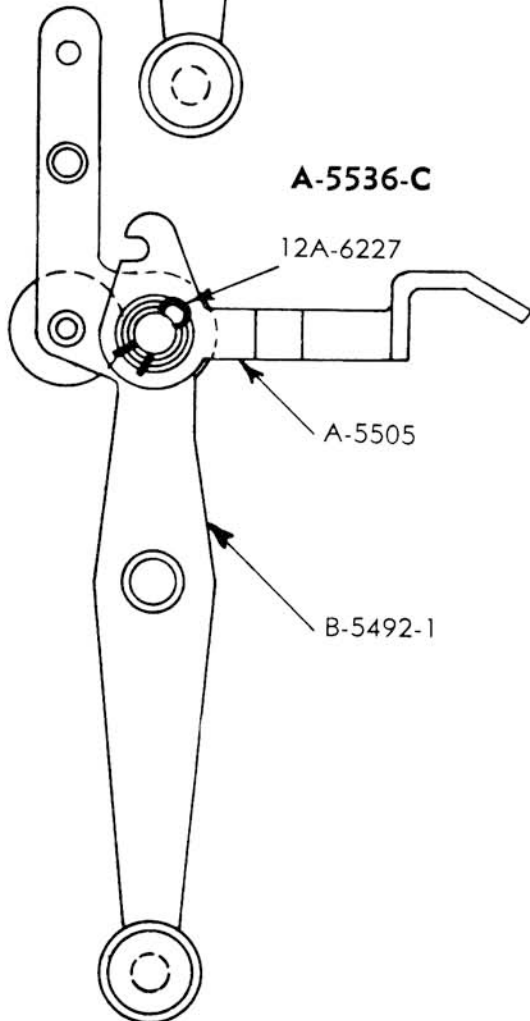
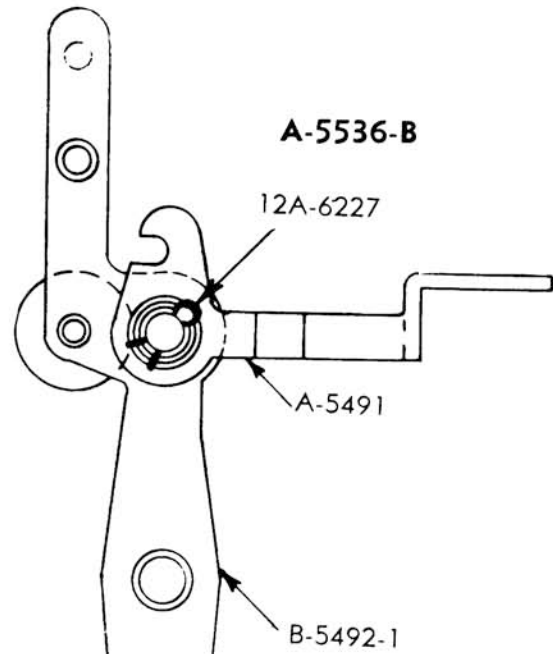
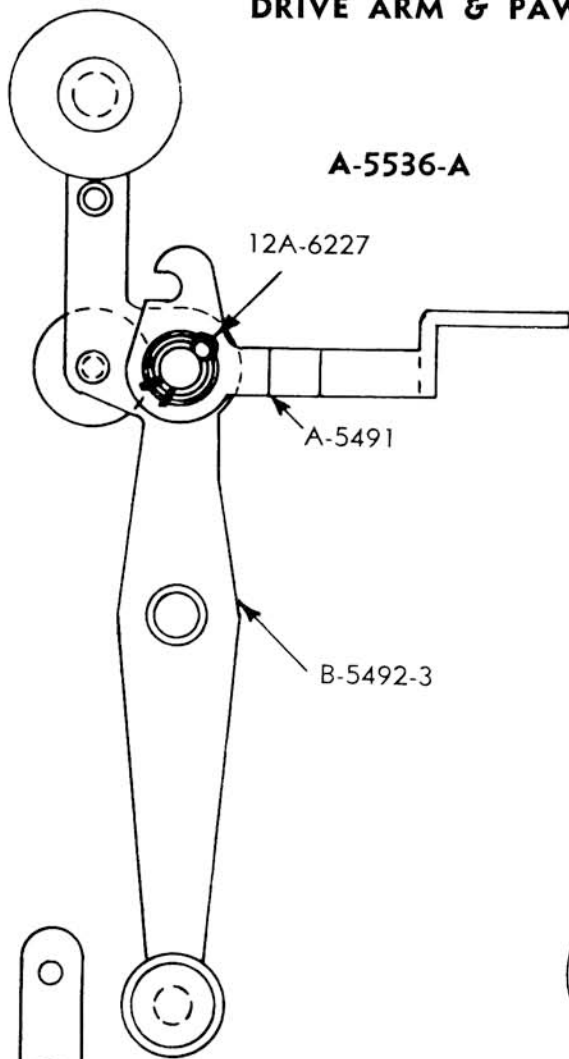


No. C-5866 REPLAY UNIT ASSEMBLY



Coil No's Printed in Black - 50V
 Coil No's Printed in Red - 24V
 Use Coil Chart Supplied With Each
 Machine, When Ordering Coils.

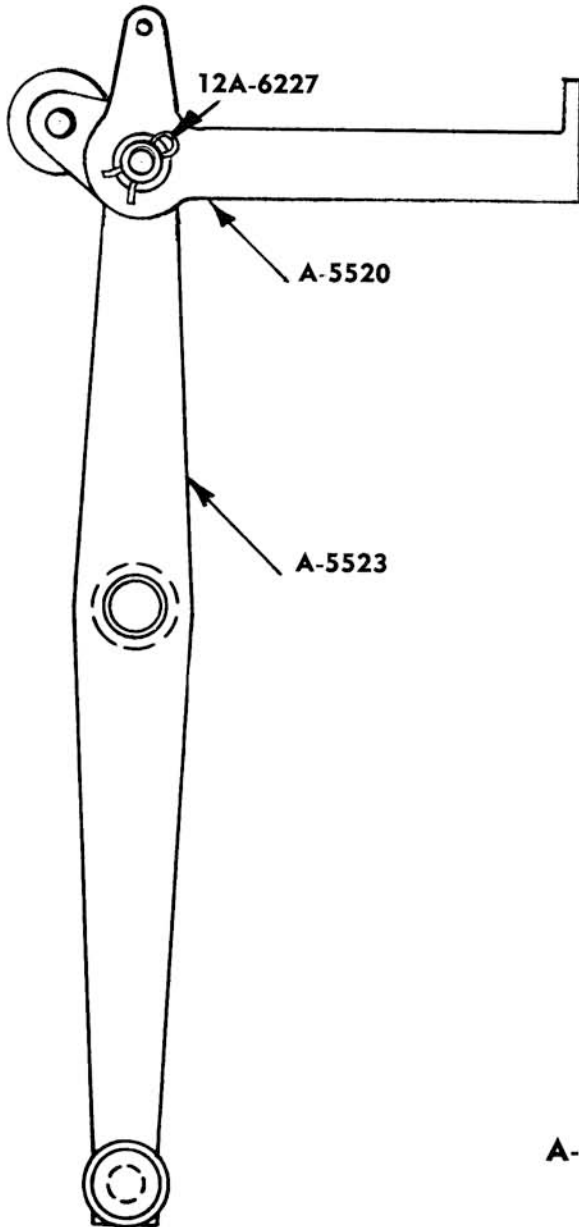
DRIVE ARM & PAWL ASSEMBLIES (50 STEP UNITS)



ARM & PAWL ASSEMBLIES

100 STEP UNIT

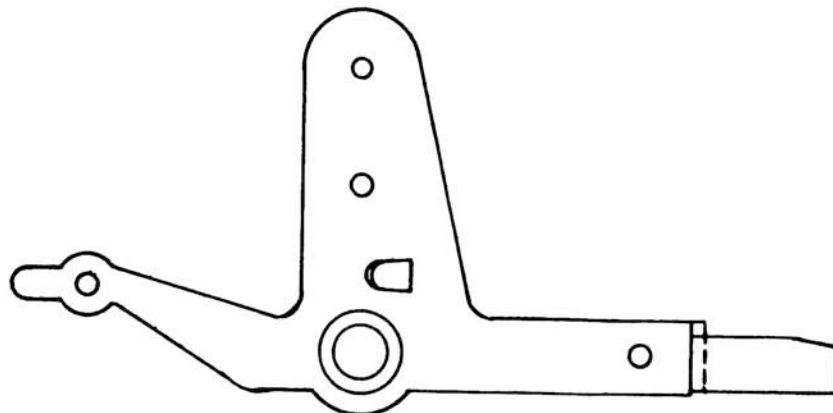
A-5535 DRIVE ARM & PAWL ASSEMBLY



A-5524 LOCK ARM ASSEMBLY

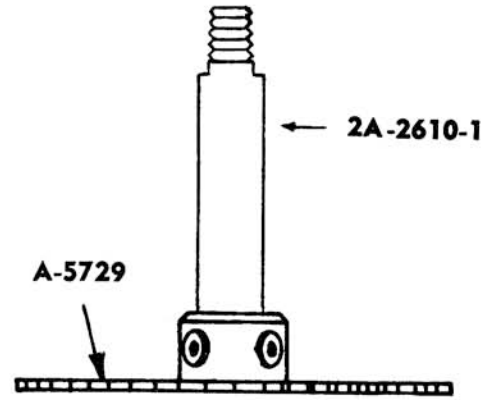
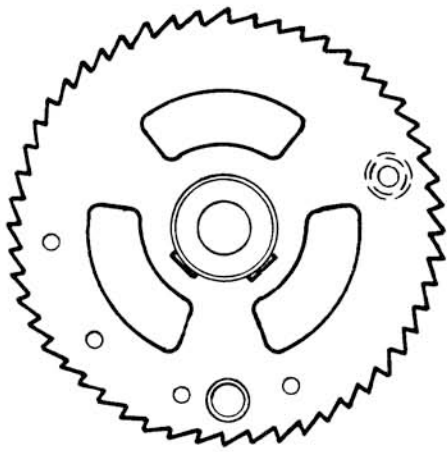


A-5525 RESET ARM ASSEMBLY

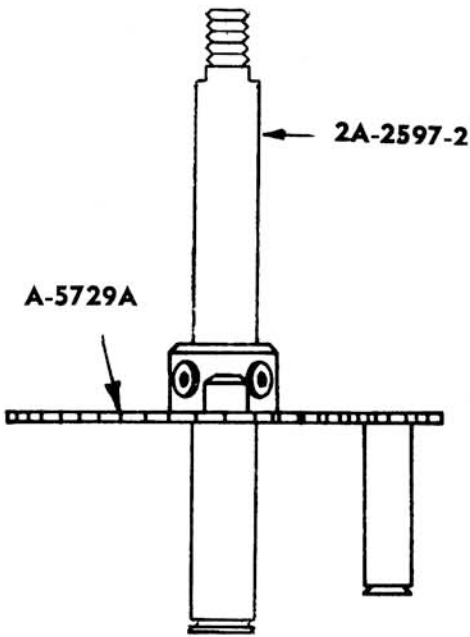


50-TOOTH RATCHET GEAR ASSEMBLY

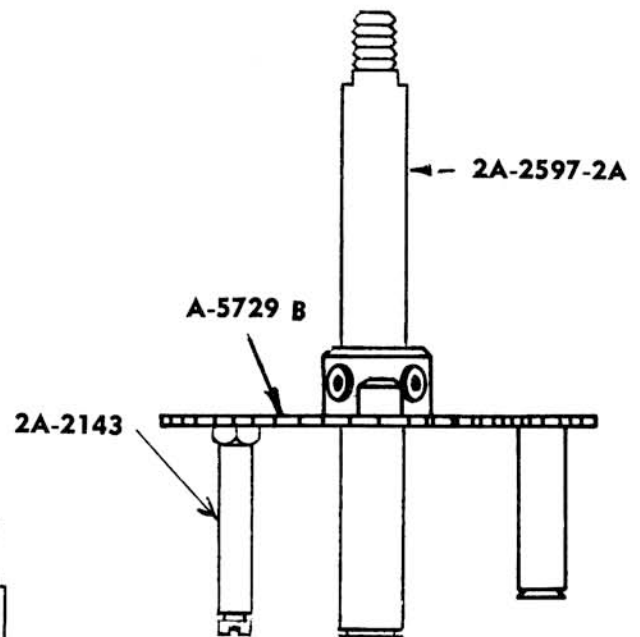
(Specify name of unit and game)



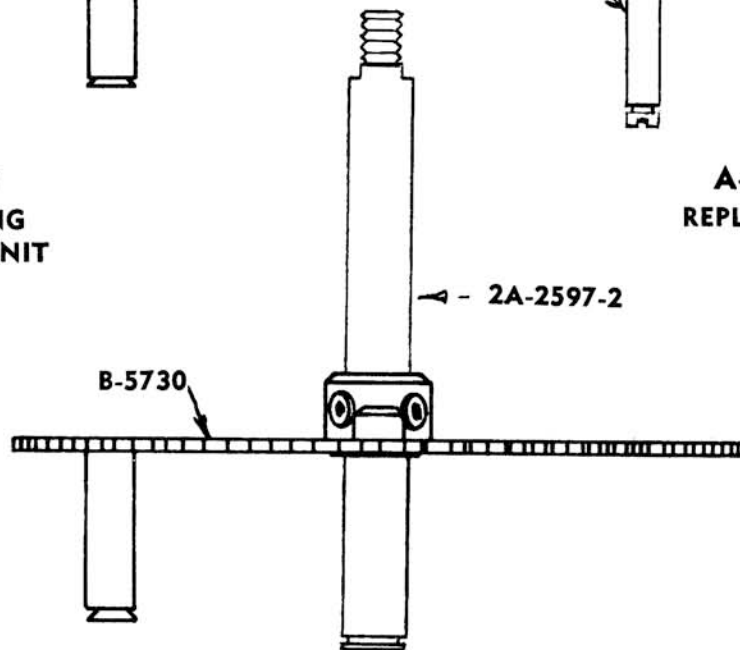
**A-5946
NON-RESETTING
50 STEP UNIT**



**A-5947
RESETTING
50 STEP UNIT**

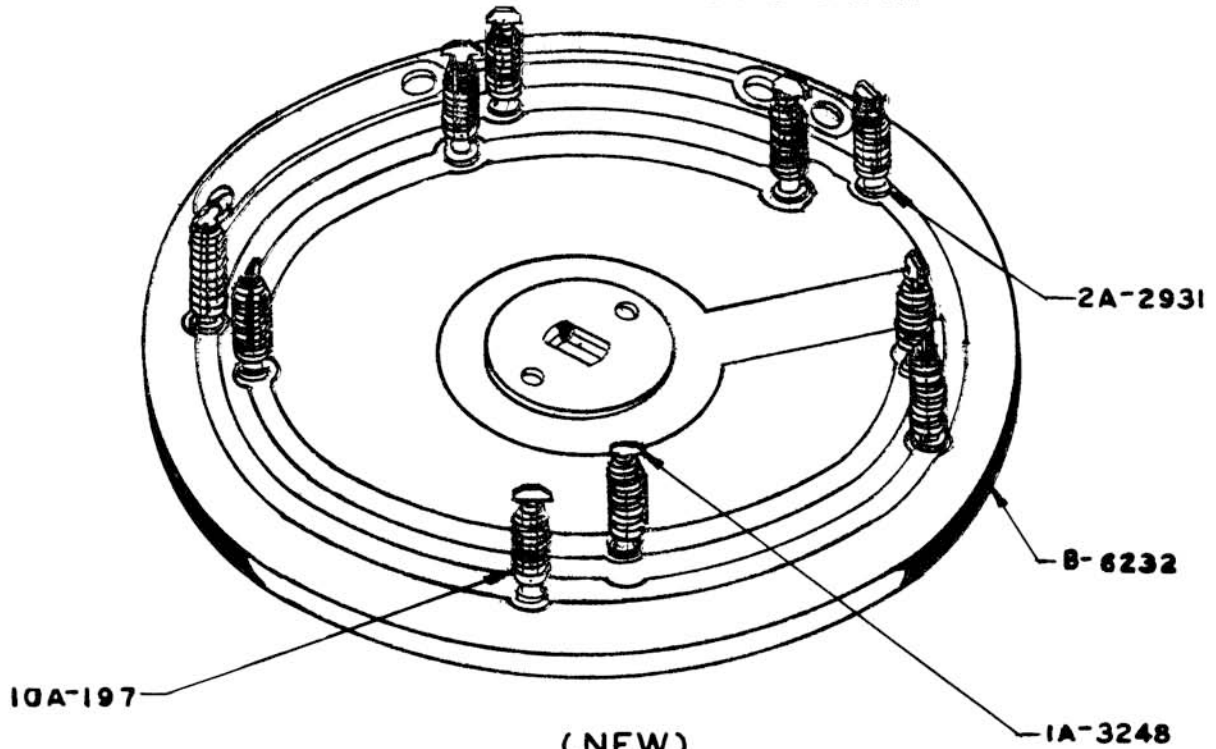


**A-5948
REPLAY UNIT**

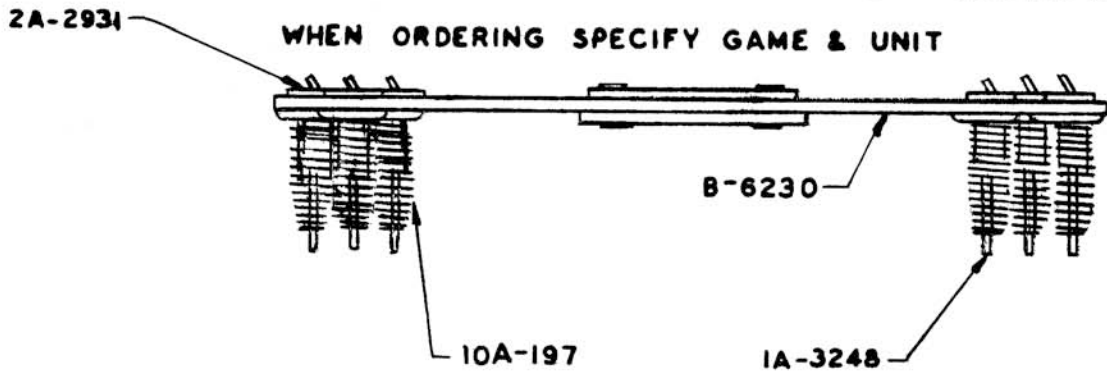


**A-5949
100 STEP UNIT**

(NEW)
B-6202 SNOWSHOE WIPER ASSEMBLY
WHEN ORDERING SPECIFY GAME & UNIT



(NEW)
B-6200 SNOWSHOE WIPER ASSEMBLY
WHEN ORDERING SPECIFY GAME & UNIT



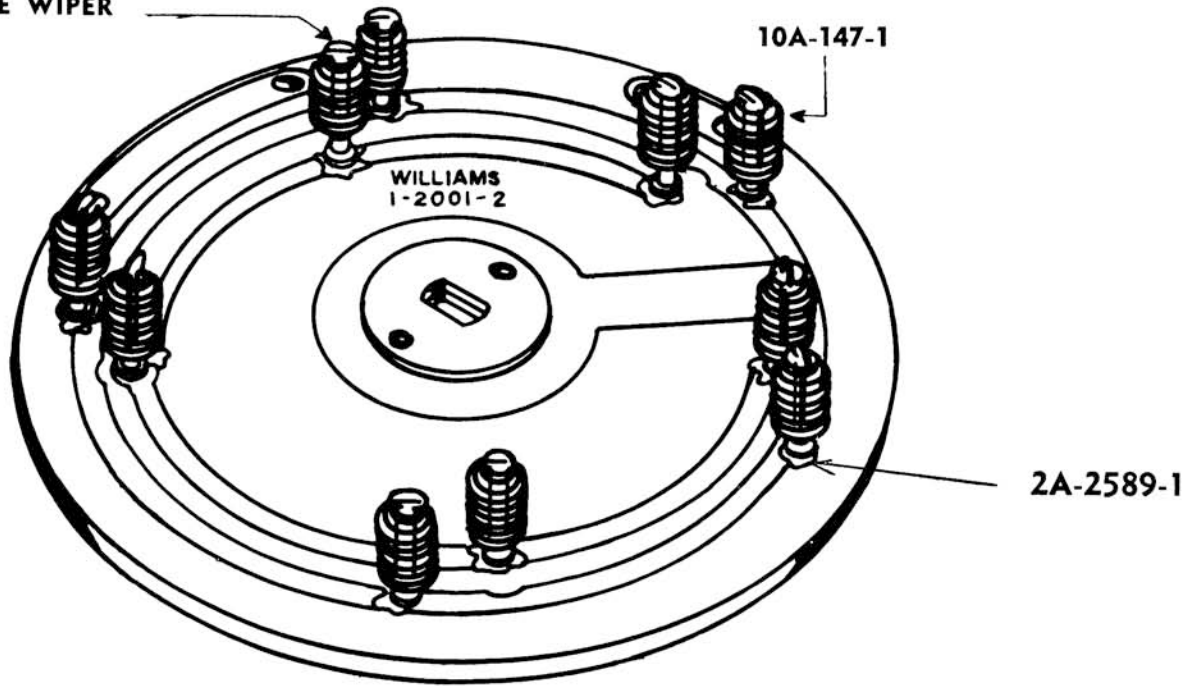
(NEW)
B-6240 SNOWSHOE WIPER ASSEMBLY-100 STEP UNIT
WHEN ORDERING SPECIFY GAME & UNIT



(OLD TYPE)

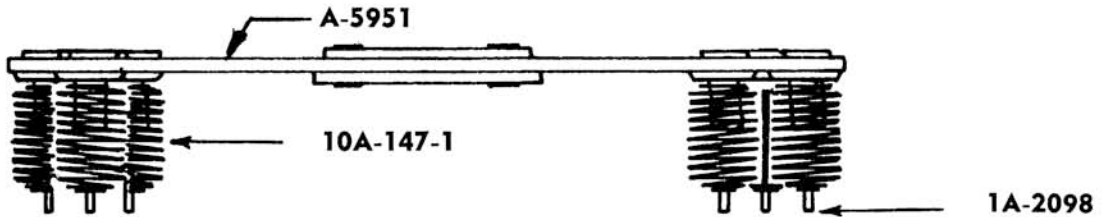
B-5902 SNOWSHOE WIPER ASSEMBLY
WHEN ORDERING SPECIFY NAME
OF GAME & UNIT

1A-2000 BLADE WIPER



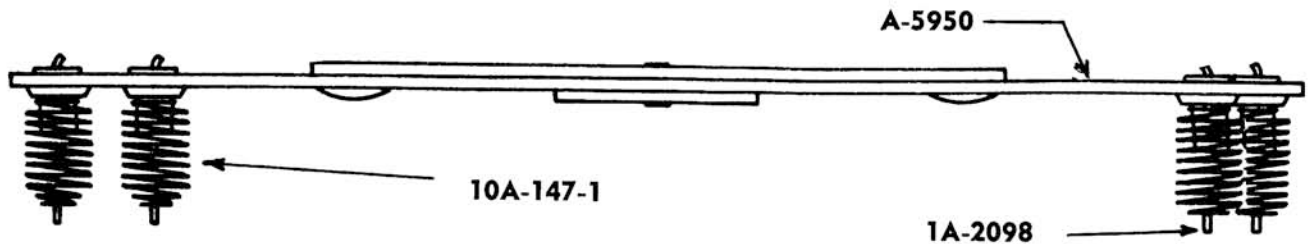
(OLD TYPE)

B-5733 10,000 UNIT SNOWSHOE WIPER ASSEMBLY
(Specify name of unit and game)

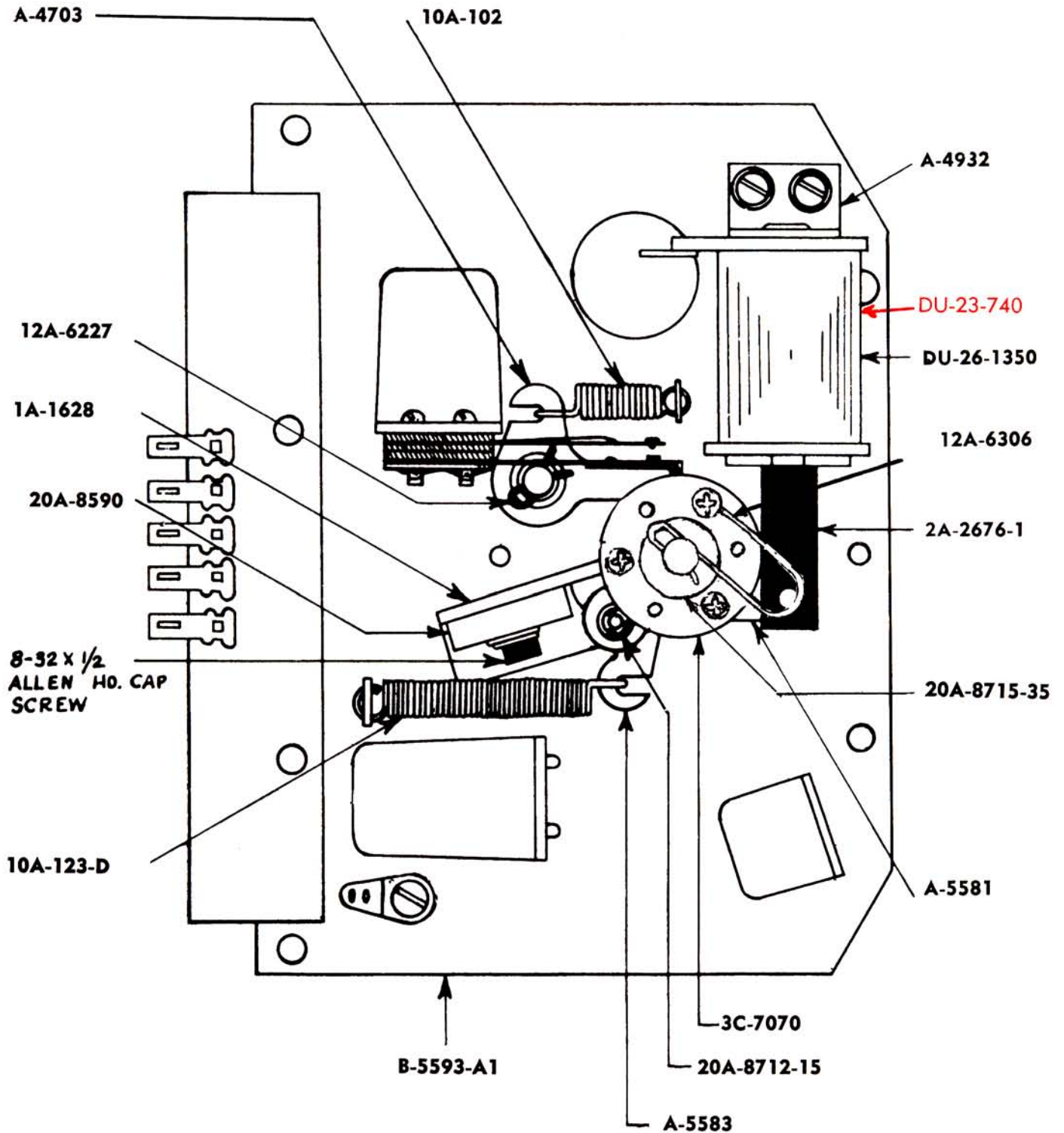


(OLD TYPE)

B-5732 100,000 UNIT SNOWSHOE WIPER ASSEMBLY
(Specify Name of Unit and Game)



C-5726 10 STEP UNIT WITH CONTACT DISC. & FINGER ASS'Y.

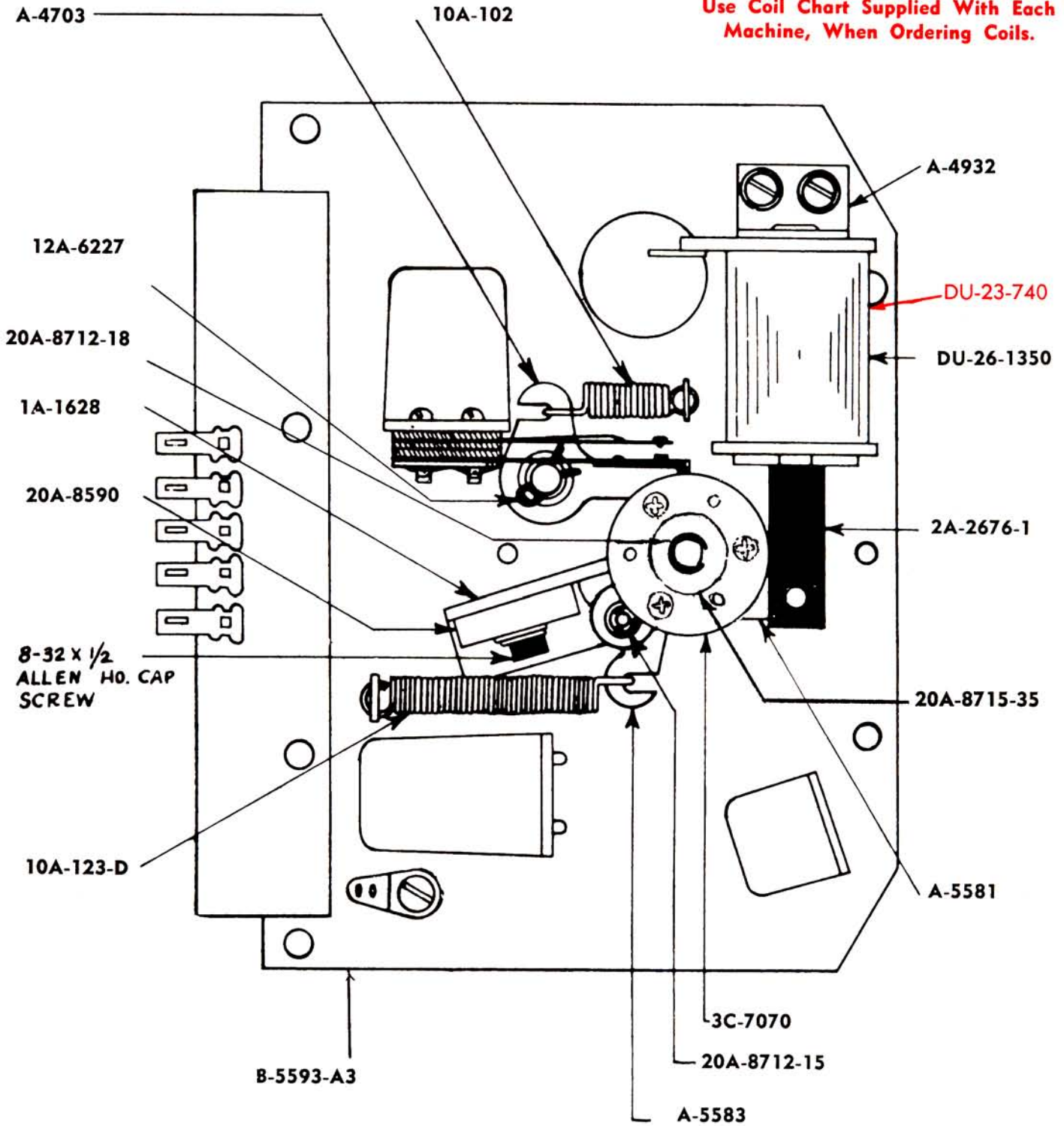


Coil No's Printed in Black - 50V
Coil No's Printed in Red - 24V
Use Coil Chart Supplied With Each
Machine, When Ordering Coils.

C-5726-A 10 STEP UNIT

WITHOUT CONTACT DISC. & FINGER ASS'Y.

Coil No's Printed in Black - 50V
 Coil No's Printed in Red - 24V
 Use Coil Chart Supplied With Each
 Machine, When Ordering Coils.



ADJUST STOP 1A-1628 STOP SO THAT
 INDEX PAWL RESTS EXACTLY IN
 BASE OF GEAR TOOTH.

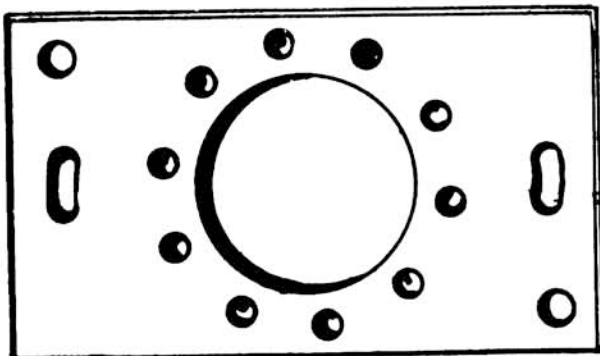
ADJUST DRIVE PAWL STOP 20A-8590
 AGAINST DRIVE PAWL ASSY. A-5583

10 STEP UNIT PARTS

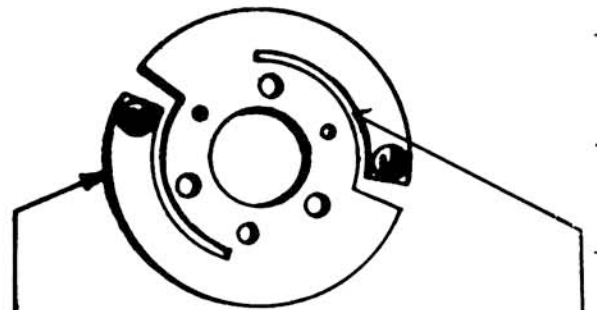


SCREENED REEL

20C-7595



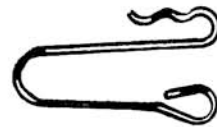
A-5003-1 CONTACT DISC. ASSEMBLY
SPECIFY UNIT POSITION & GAME NAME



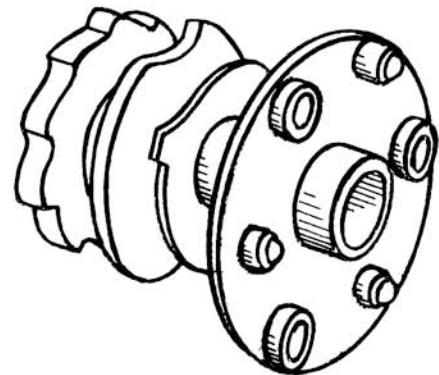
A-4722 CONTACT FINGER ASSEMBLY
AS SHOWN

A-4722-A CONTACT FINGER ASSEMBLY
1 ARM CUTOFF

A-4722-B CONTACT FINGER ASSEMBLY
THIS ARM CUTOFF



GROUND WIRE
12A-6306



NYLON CAM & RATCHET HUB

3C-7070

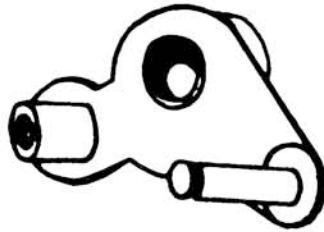
10 STEP UNIT PARTS



A-5583 DRIVE PAWL ASSY.



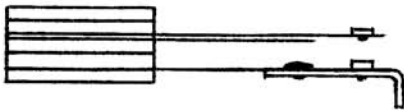
A-4703 INDEX PAWL ASSY.



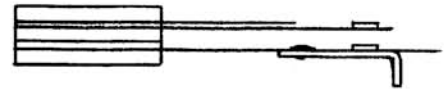
A-5581 DRIVE CRANK ASSEY.

Use Part No. 3A-6085
Nylon Crank, on Old
Units with Paper Reel

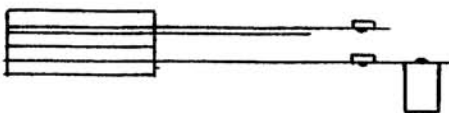
10 STEP UNIT SWITCHES



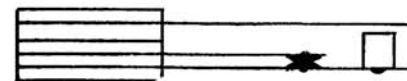
SW. 1U 9 POSITION
MAKE SWITCH



SW. 1U-2 INDEX SWITCH
MAKE SWITCH



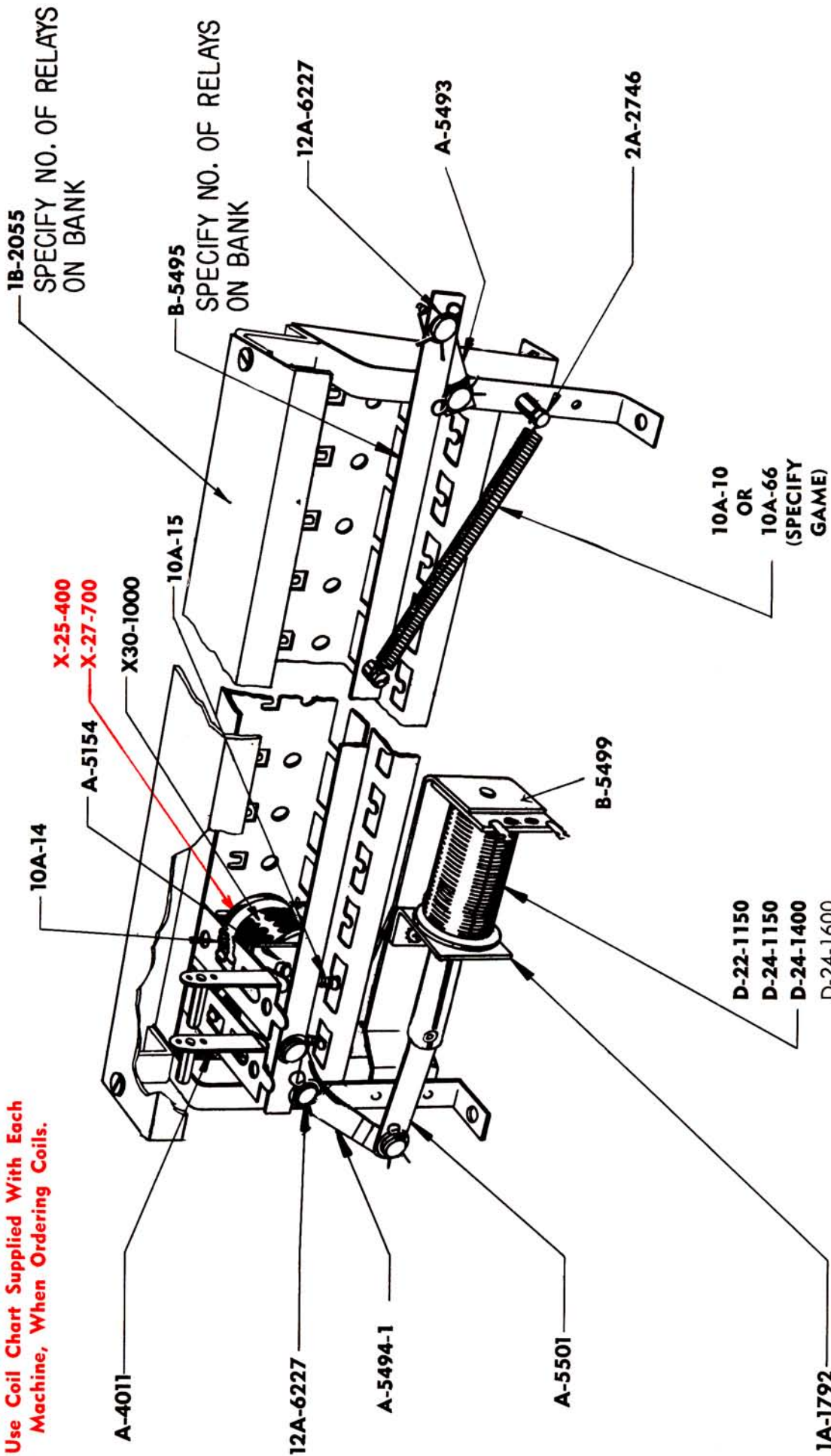
SW. 1U-1 INDEX SWITCH
MAKE SWITCH



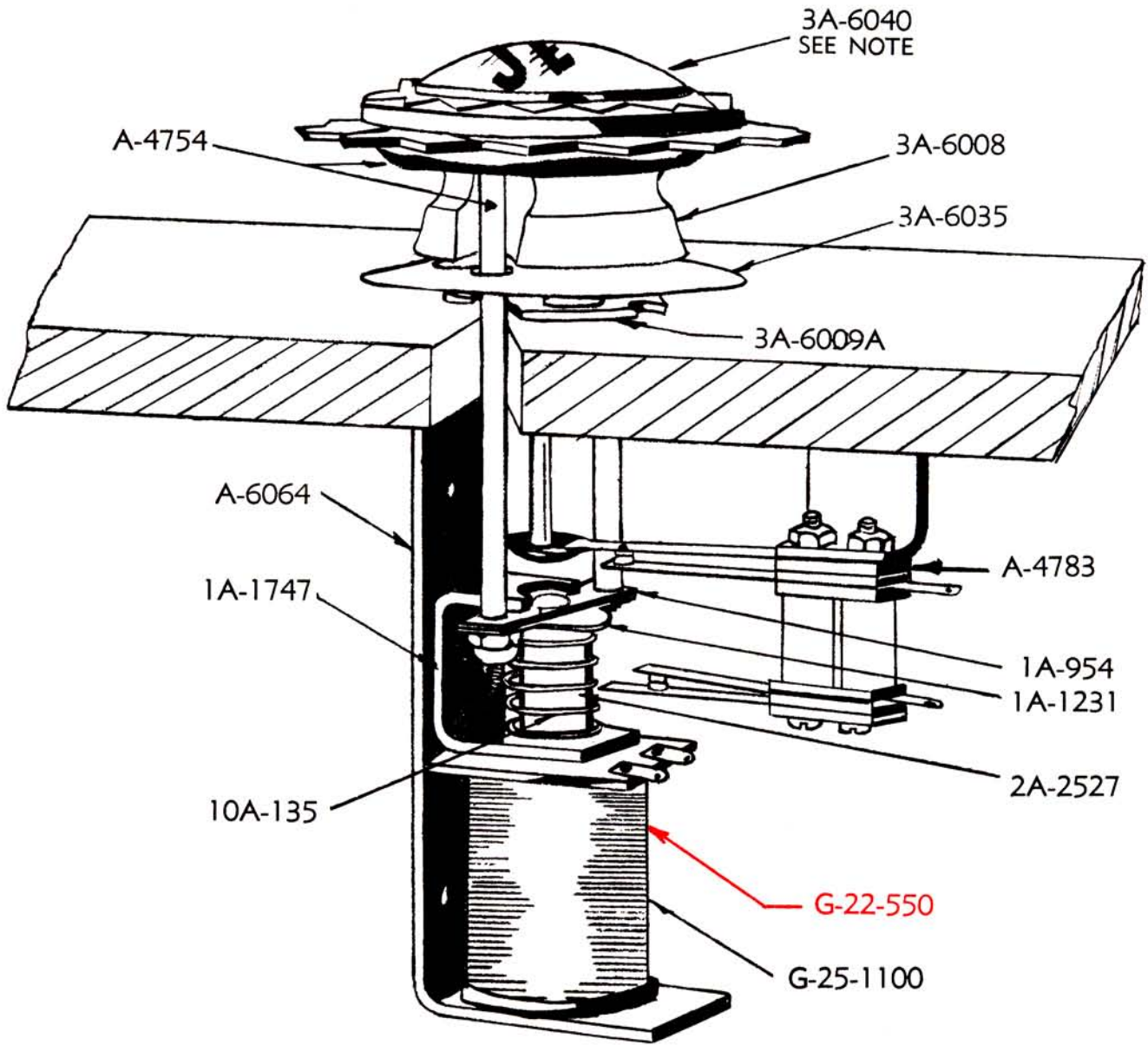
SW. 20U-1 END OF STROKE
BREAK SWITCH

C-5507 RELAY BANK ASSEMBLY

Coil No's Printed in Black - 50V
 Coil No's Printed in Red - 24V
 Use Coil Chart Supplied With Each
 Machine, When Ordering Coils.



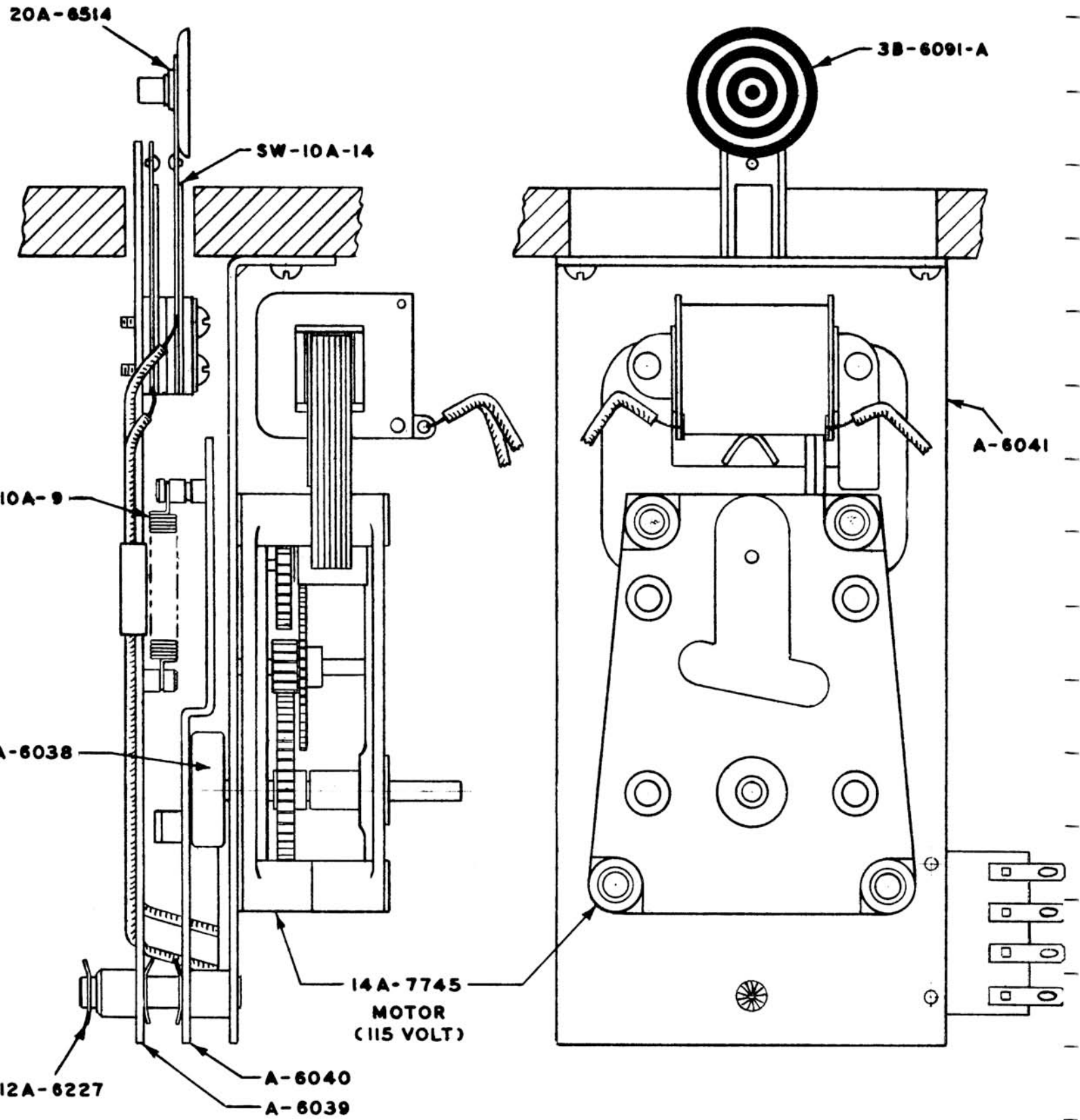
JET BUMPER ASSEMBLY B-5053



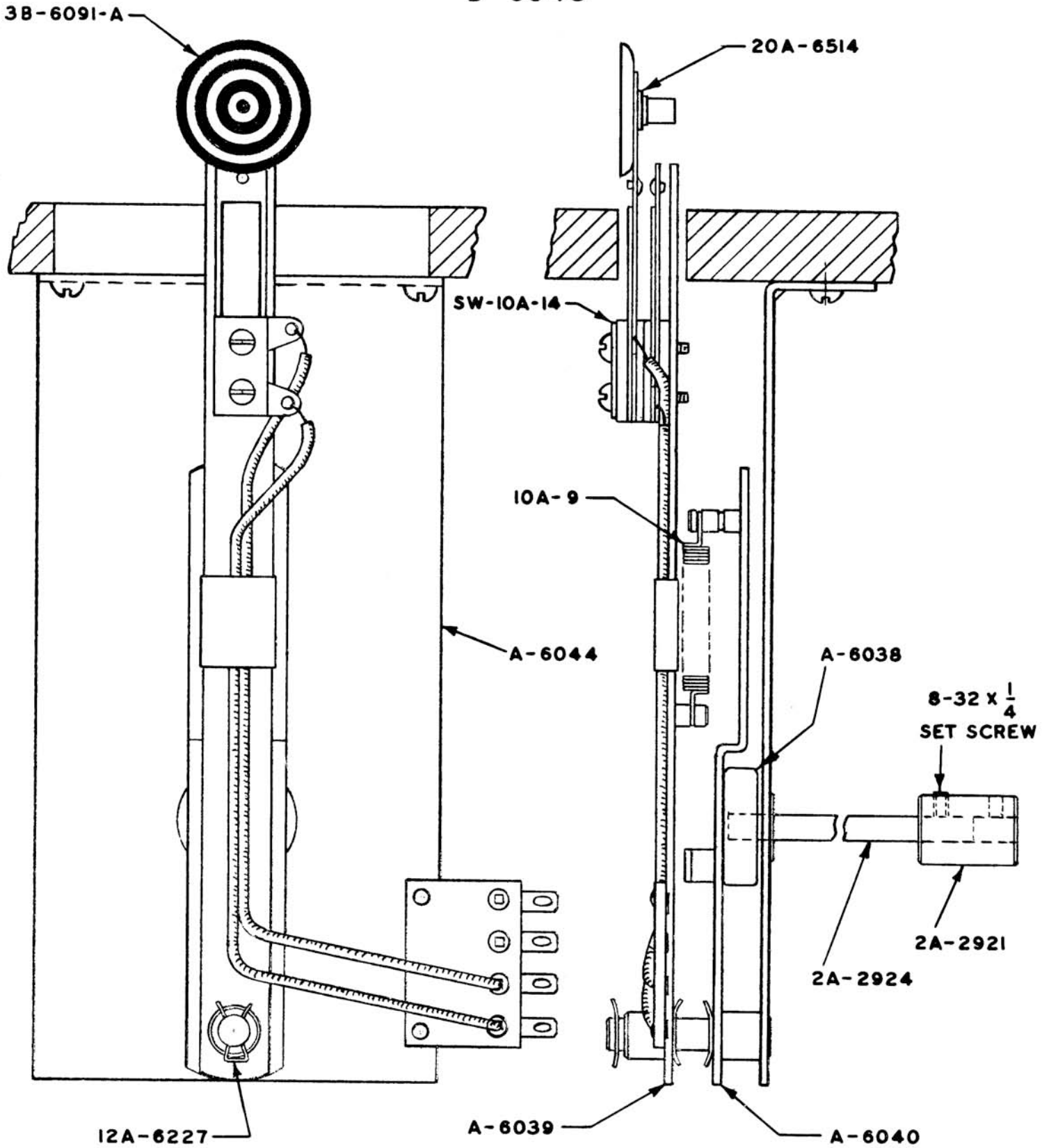
Coil No's Printed in Black - 50V
 Coil No's Printed in Red - 24V
 Use Coil Chart Supplied With Each
 Machine, When Ordering Coils.

Note — Specify STAMPING and COLOR on all Caps

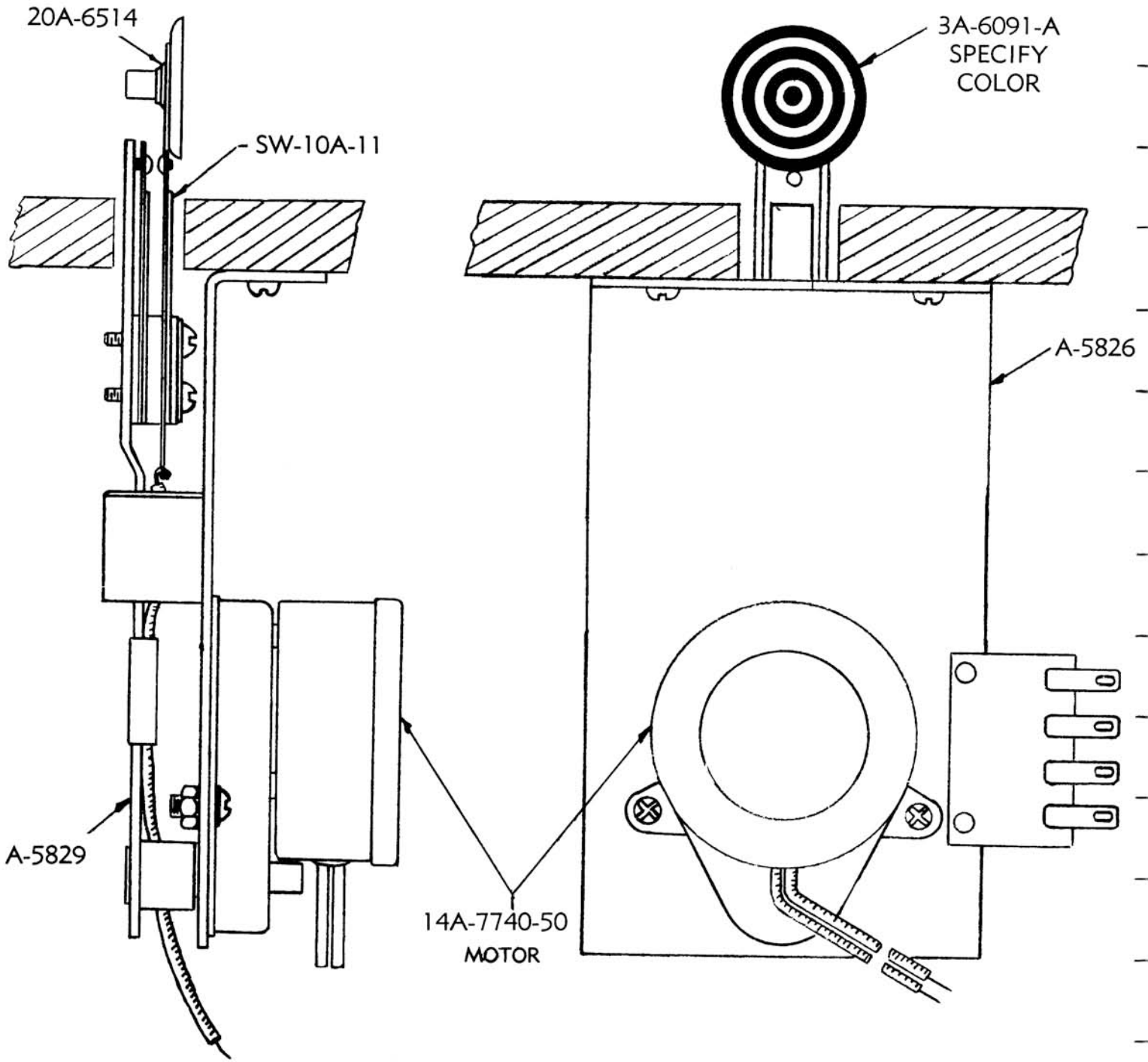
(NEW)
SWINGING TARGET ASSEMBLY
B-6045



(NEW)
SWINGING TARGET (SLAVE UNIT)
B-6043

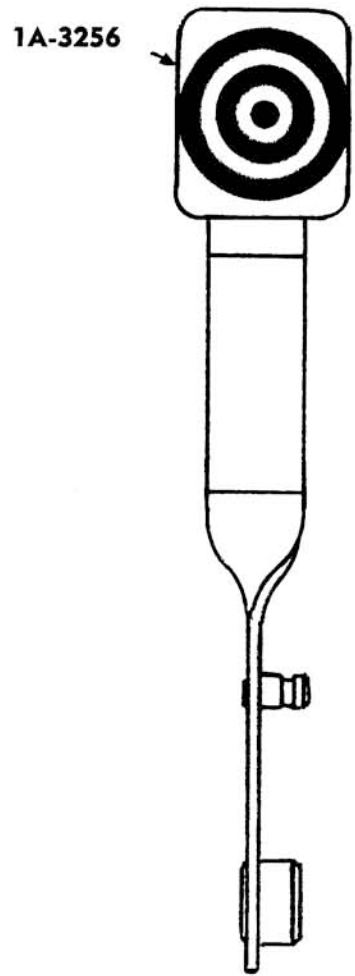
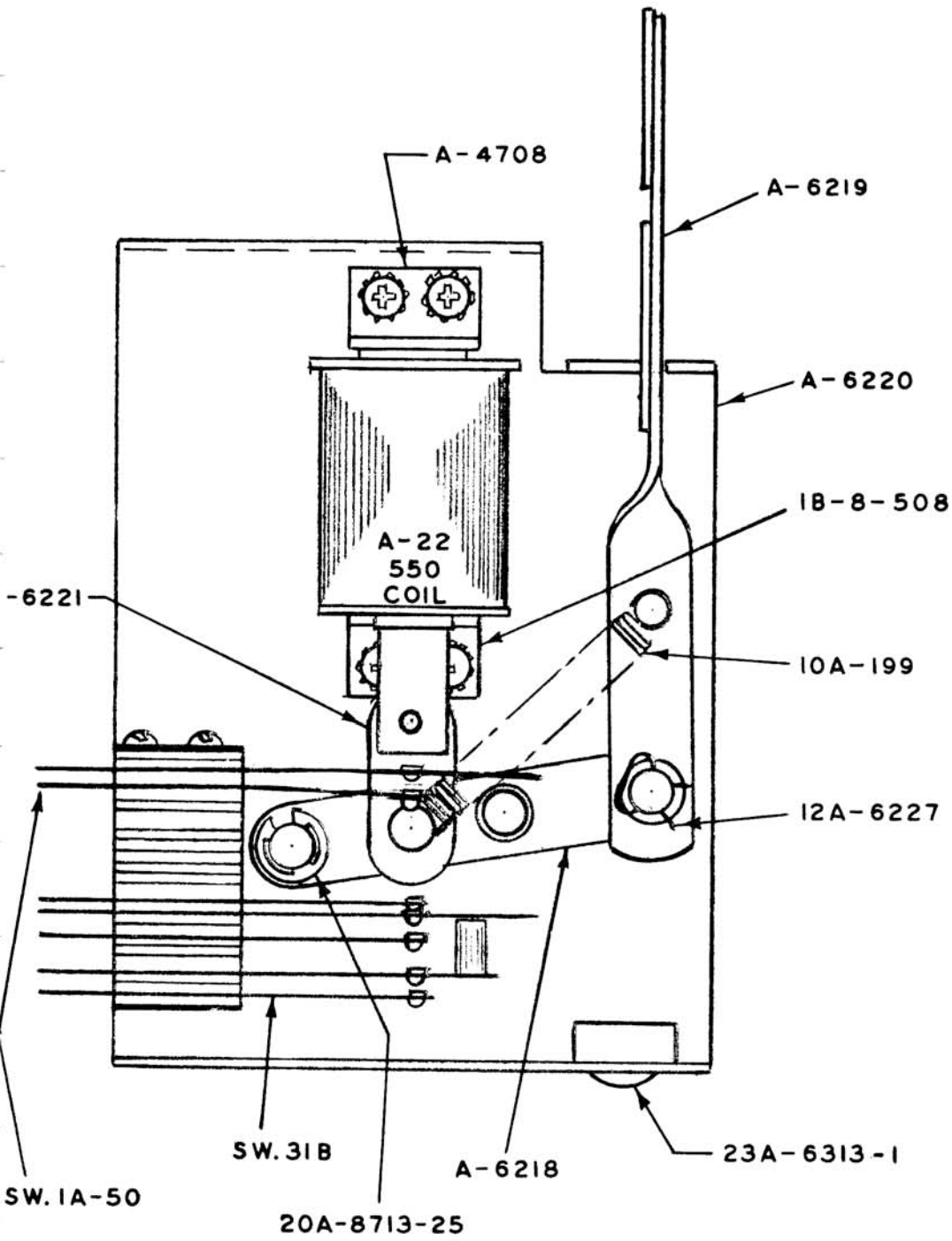


(OLD TYPE)
SWINGING TARGET ASSEMBLY
B-5839



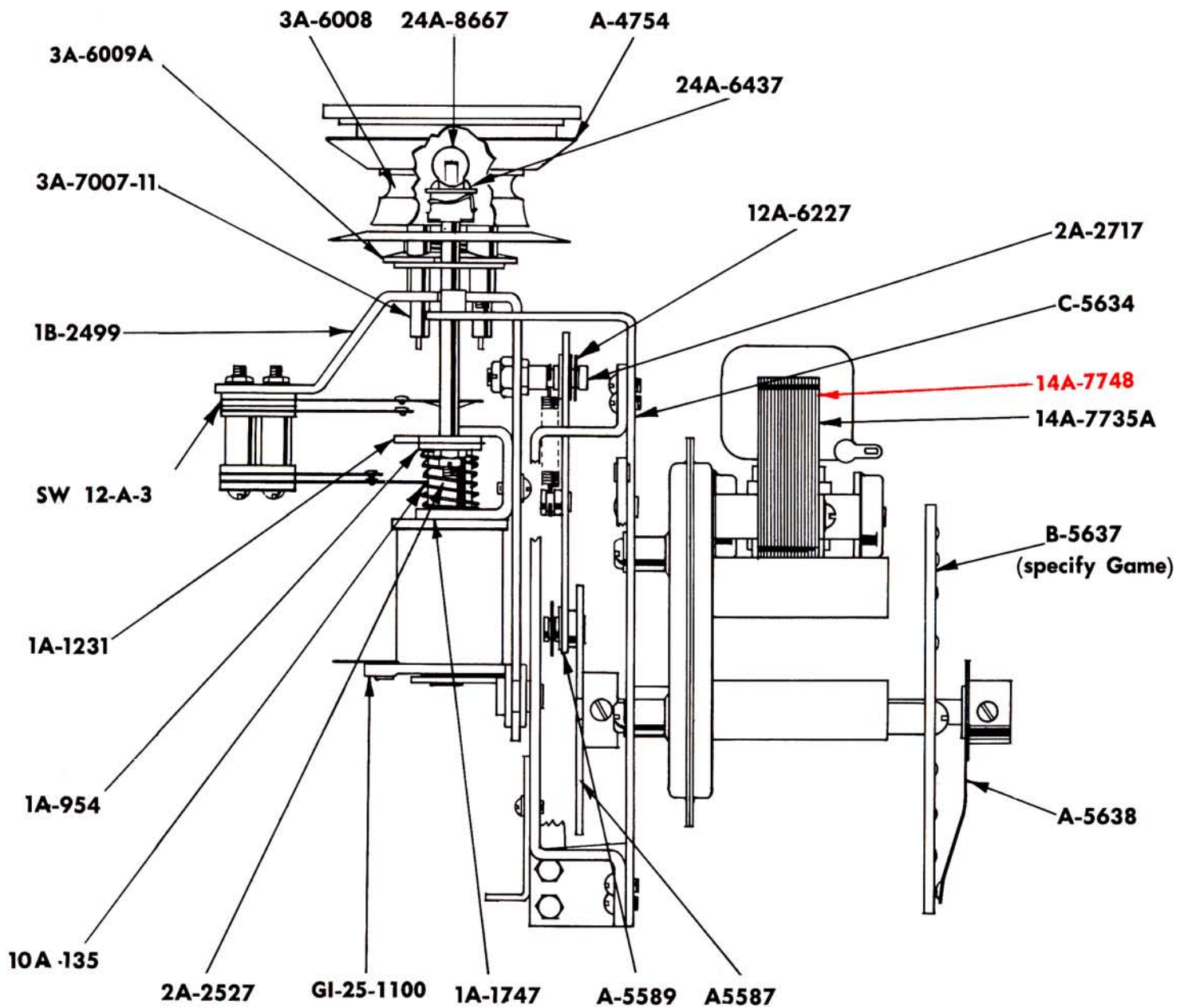
(Side View)

DROP TARGET ASSEMBLY B-6217



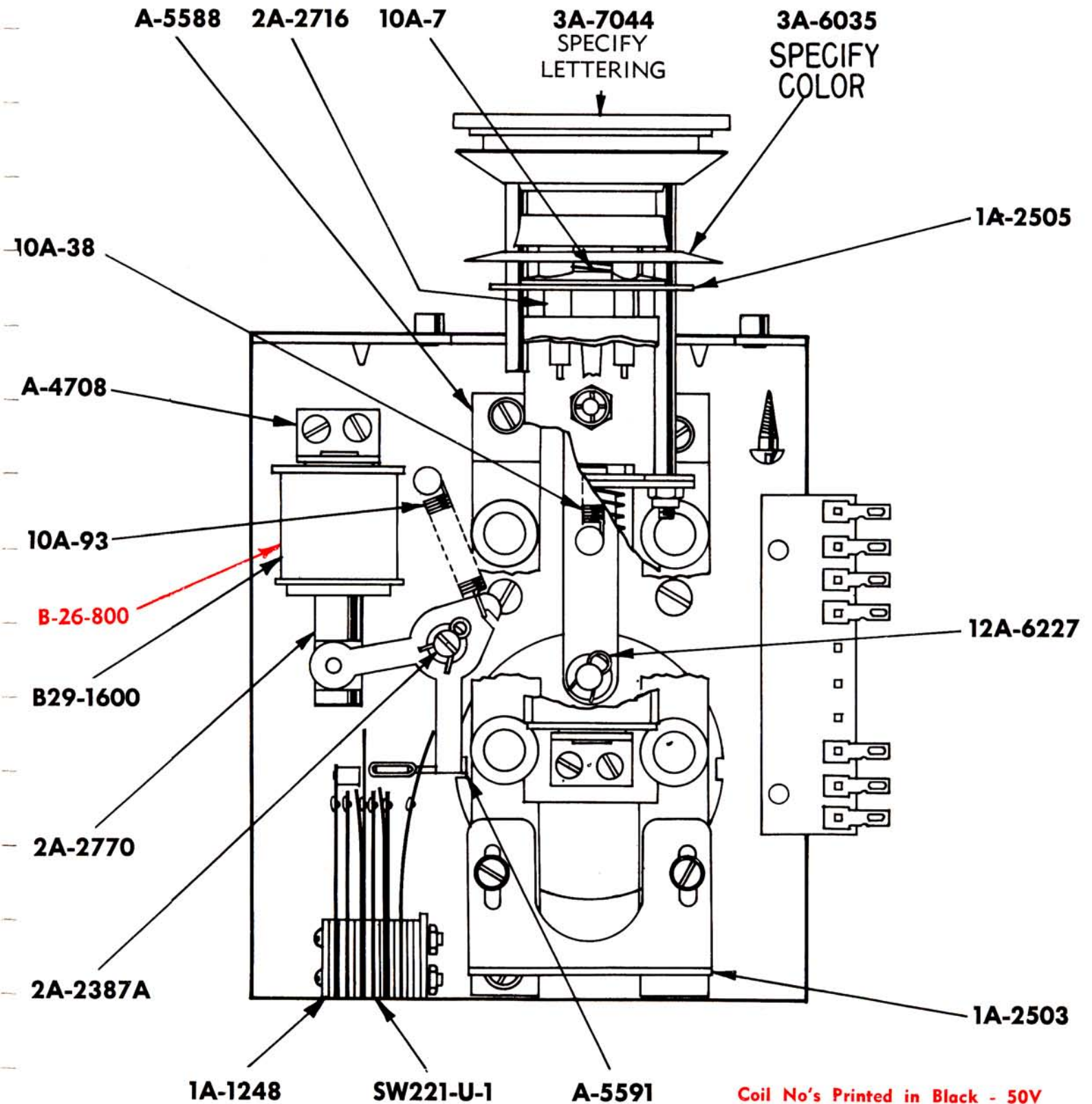
A-6219
TARGET ARM
ASSEMBLY

E-5590 DISAPPEARING JET BUMPER VIEW I



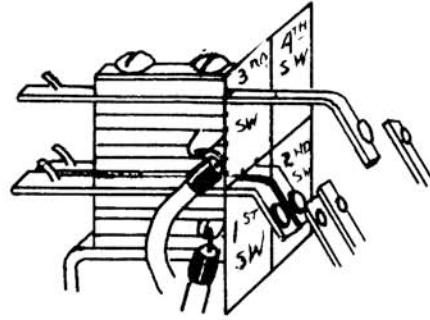
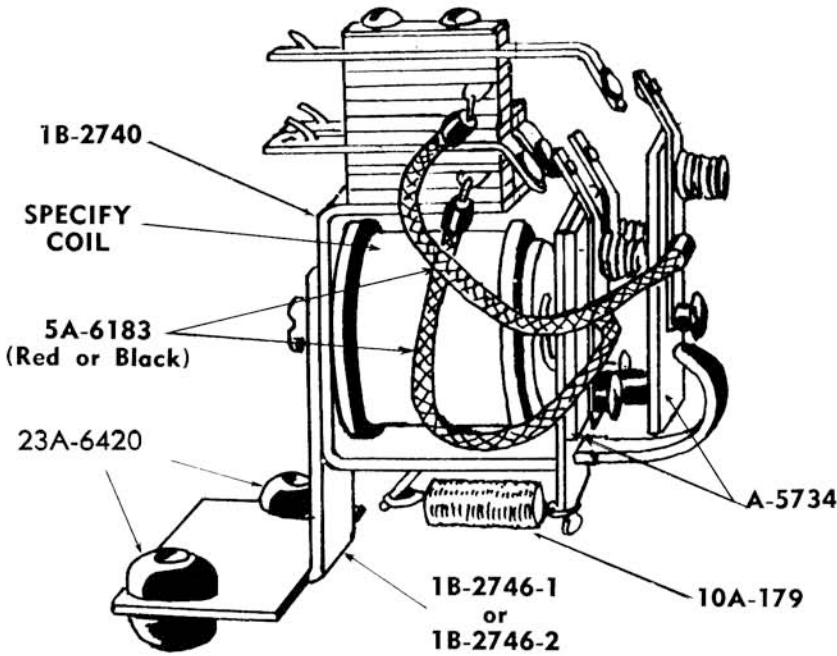
NOTE:
 MOTOR NO. PRINTED IN BLACK - 50V
 MOTOR NO. PRINTED IN RED - 24V
 USE CHART SUPPLIED WITH EACH MACHINE
 WHEN ORDERING MOTOR.

E-5590 DISAPPEARING JET BUMPER VIEW II



Coil No's Printed in Black - 50V
 Coil No's Printed in Red - 24V
 Use Coil Chart Supplied With Each
 Machine, When Ordering Coils.

No. C-5735 "E" RELAY ASSEMBLY



EXAMPLE: (For relay shown above) 1st, 2nd and 3rd switches are "Make" switches and there is no switch in the 4th switch position. Therefore, the complete relay part No. is —

Relay Sub-ass'y	1st Switch	2nd Switch	3rd Switch	4th Switch
NO. C-5735	1	1	1	0

Part No. for complete relay is C-5735-1110

Part No. for complete armature is A-5734-1110

- 1 "MAKE" switch (normally open)
- 2 "BREAK" switch (normally closed)
- 3 "MAKE-BREAK" switch (single pole double throw)
- 0 Indicates no switch

Part No. for complete relay or armature assembly is derived by adding suffix No. to relay or armature sub-assembly No.

0	0
1	0

-1000

0	0
1	1

-1100

1	0
1	1

-1110

1	1
1	1

-1111

0	0
2	0

-2000

0	0
2	2

-2200

2	0
2	2

-2220

2	2
2	2

-2222

0	0
3	0

-3000

0	0
3	3

-3300

3	0
3	3

-3330

0	0
1	2

-1200

0	0
1	3

-1300

0	0
2	3

-2300

2	0
1	1

-1120

2	0
1	3

-1320

1	2
1	1

-1112

2	2
1	1

-1122

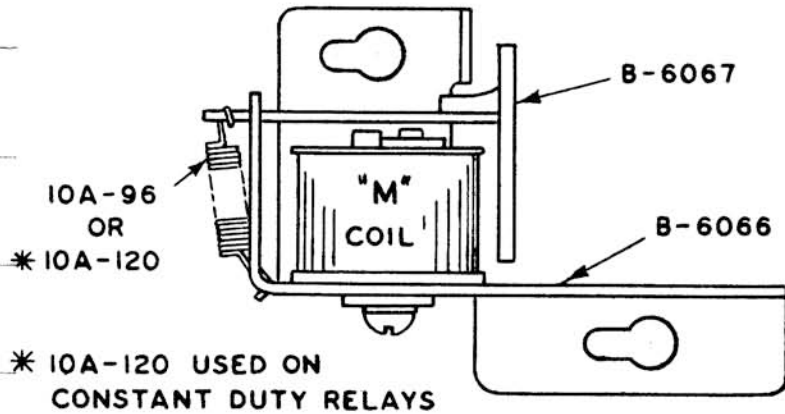
1	2
1	3

-1312

1	1
3	1

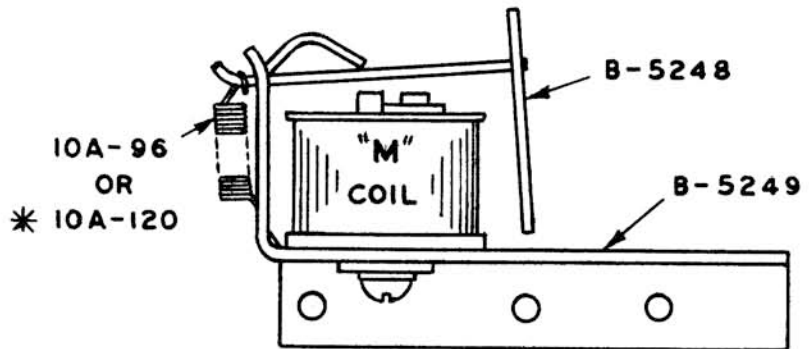
-3111

(NEW)
"J" TYPE RELAY ASSEMBLY
B-6068

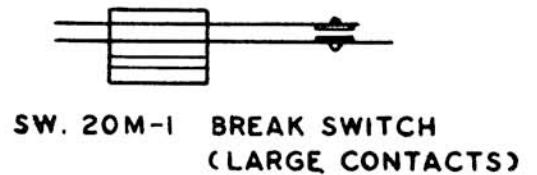
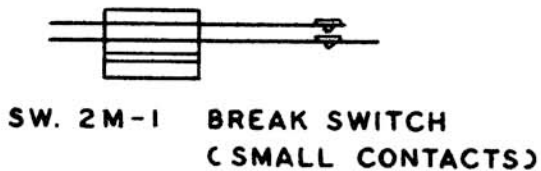
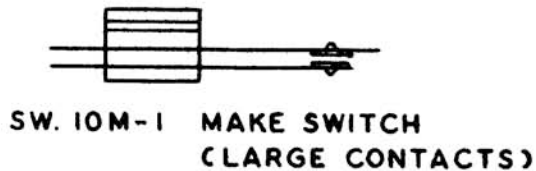
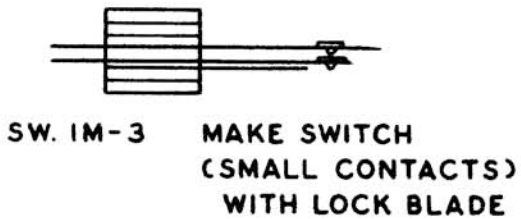
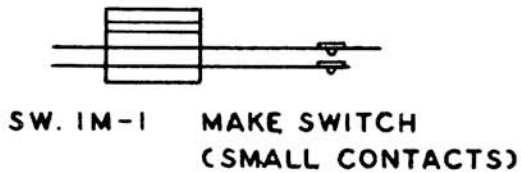


WHEN ORDERING COILS
 REFER TO COIL LIST
 SUPPLIED WITH GAME

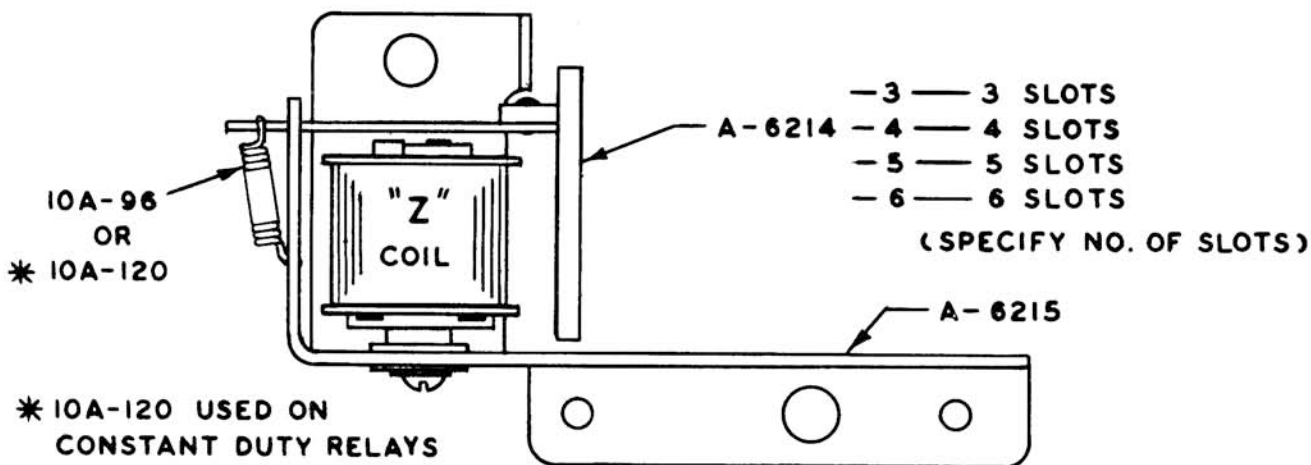
(OLD)
"M" TYPE RELAY ASSEMBLY
B-5250



SWITCHES FOR
"J" & "M" RELAYS

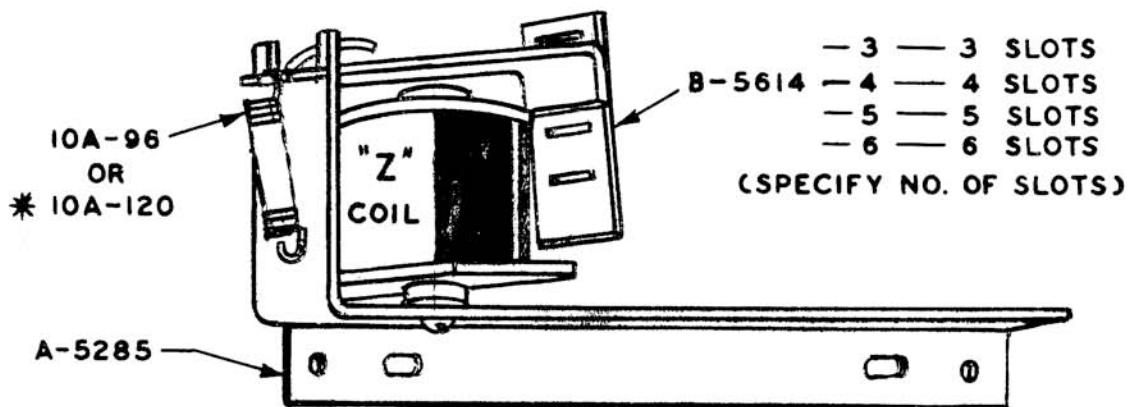


(NEW)
 "L" TYPE RELAY ASSEMBLY
 A-6216

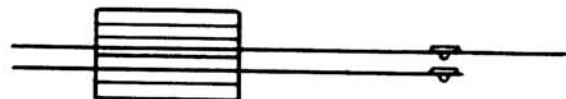


WHEN ORDERING COILS
 REFER TO COIL LIST
 SUPPLIED WITH GAME

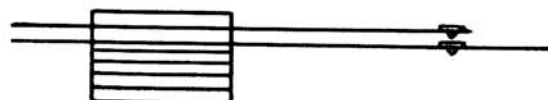
(OLD TYPE)
 "Z" TYPE RELAY ASSEMBLY
 B-5645



"L" & "Z" RELAY SWITCHES



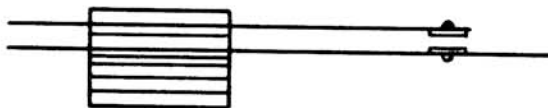
SW. 1-Z MAKE SWITCH
 (SMALL CONTACTS)



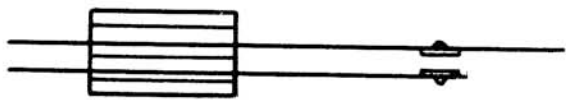
SW. 2-Z BREAK SWITCH
 (SMALL CONTACTS)



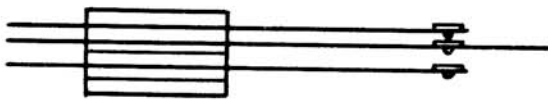
SW. 1-ZI MAKE SWITCH
 (SMALL CONTACTS)



SW. 20-Z BREAK SWITCH
 (LARGE CONTACTS)

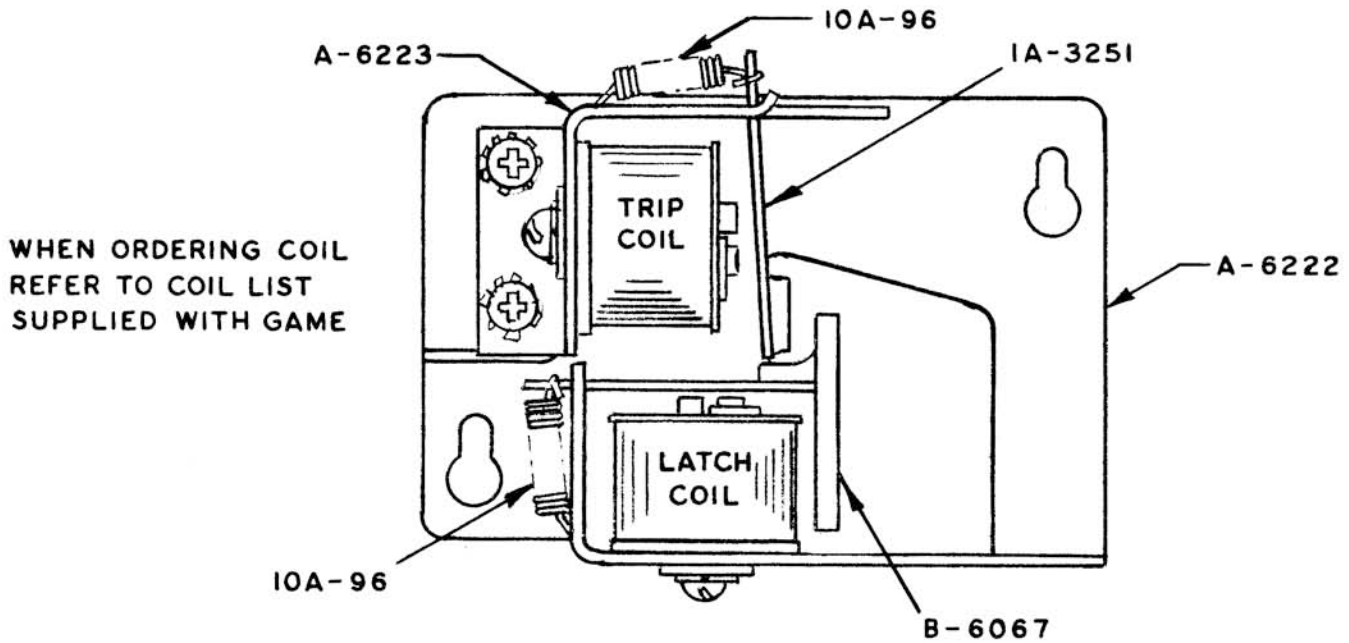


SW. 10-Z MAKE SWITCH
 (LARGE CONTACTS)

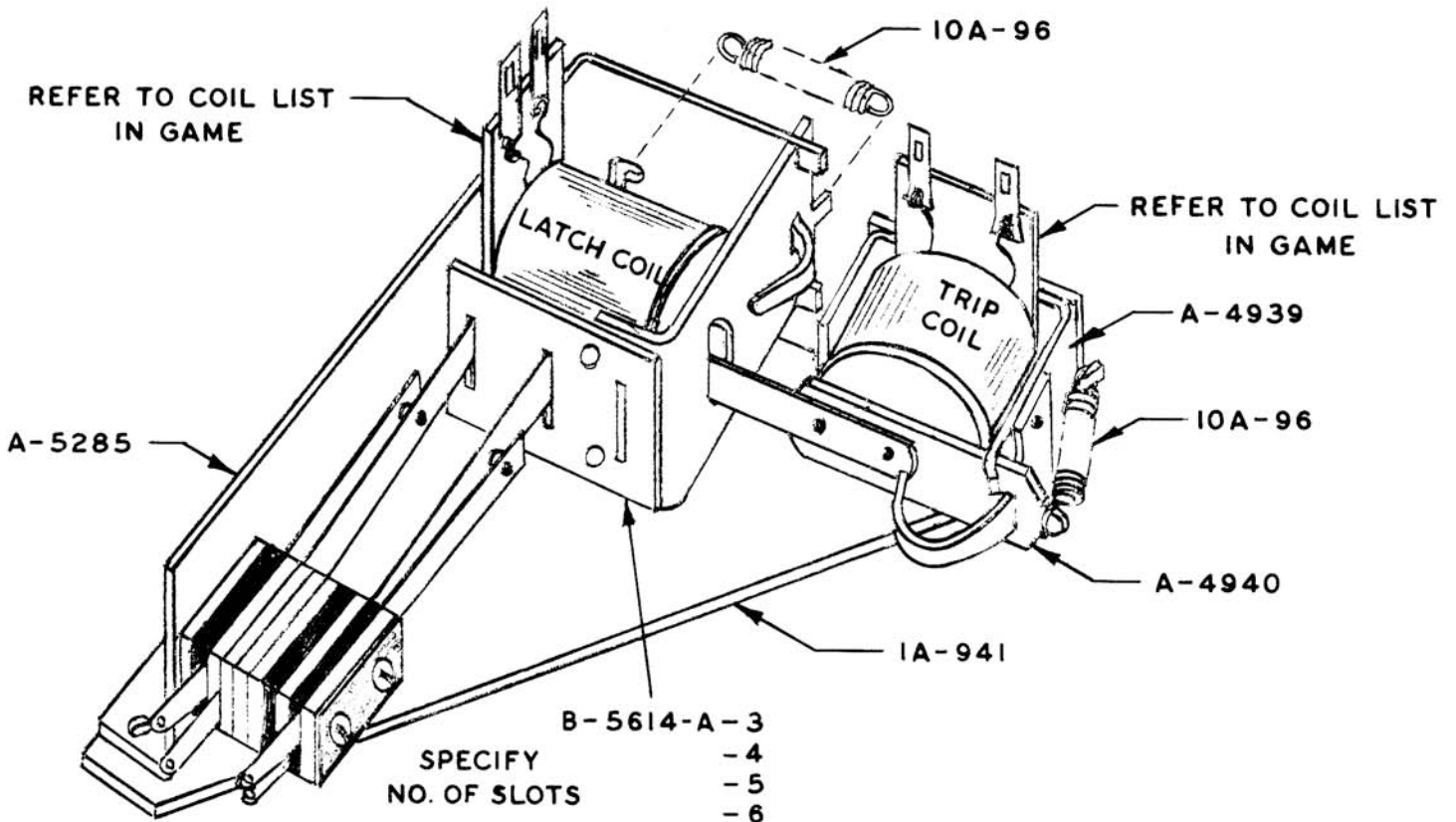


SW. 3-Z MAKE-BREAK SWITCH
 (SMALL CONTACTS)

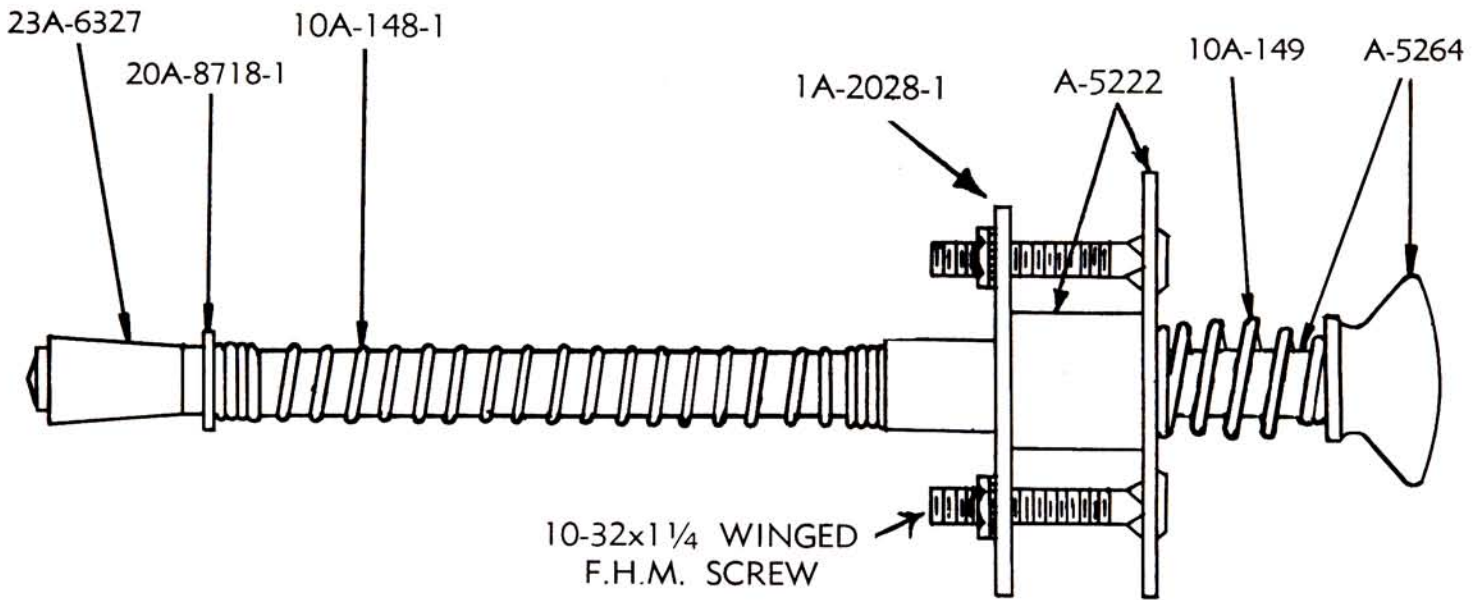
(NEW)
 INTERLOCK RELAY ASSEMBLY
 B-6225



(OLD TYPE)
 INTERLOCK RELAY ASSEMBLY
 B-4938



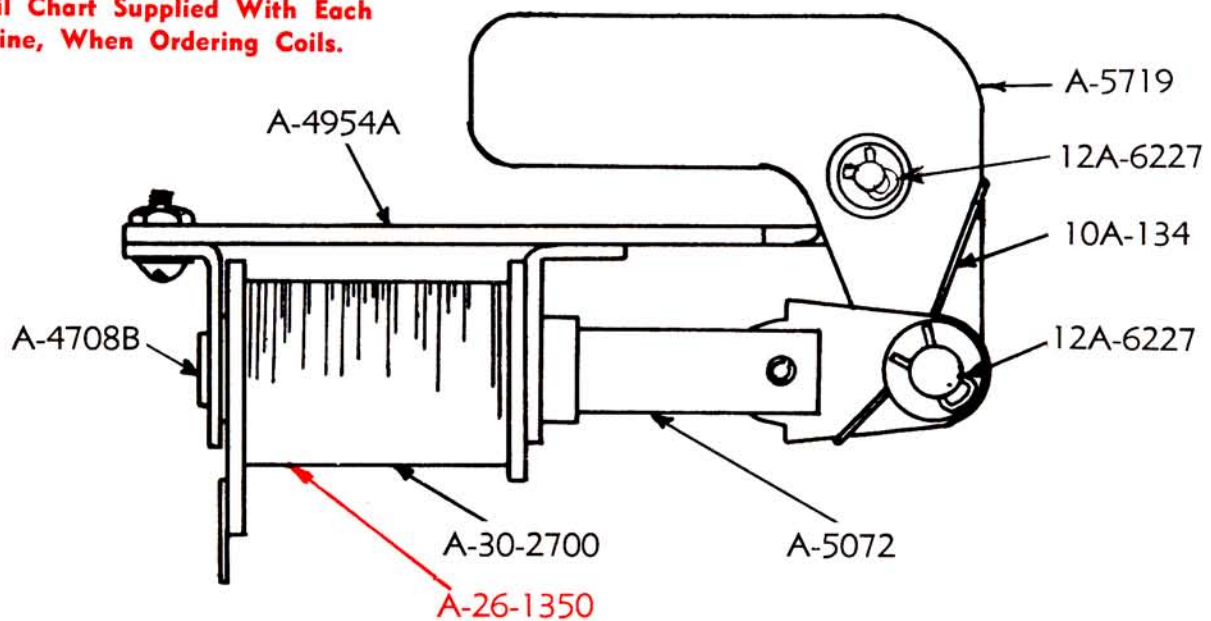
B-5247 NEW BALL SHOOTER ASSEMBLY



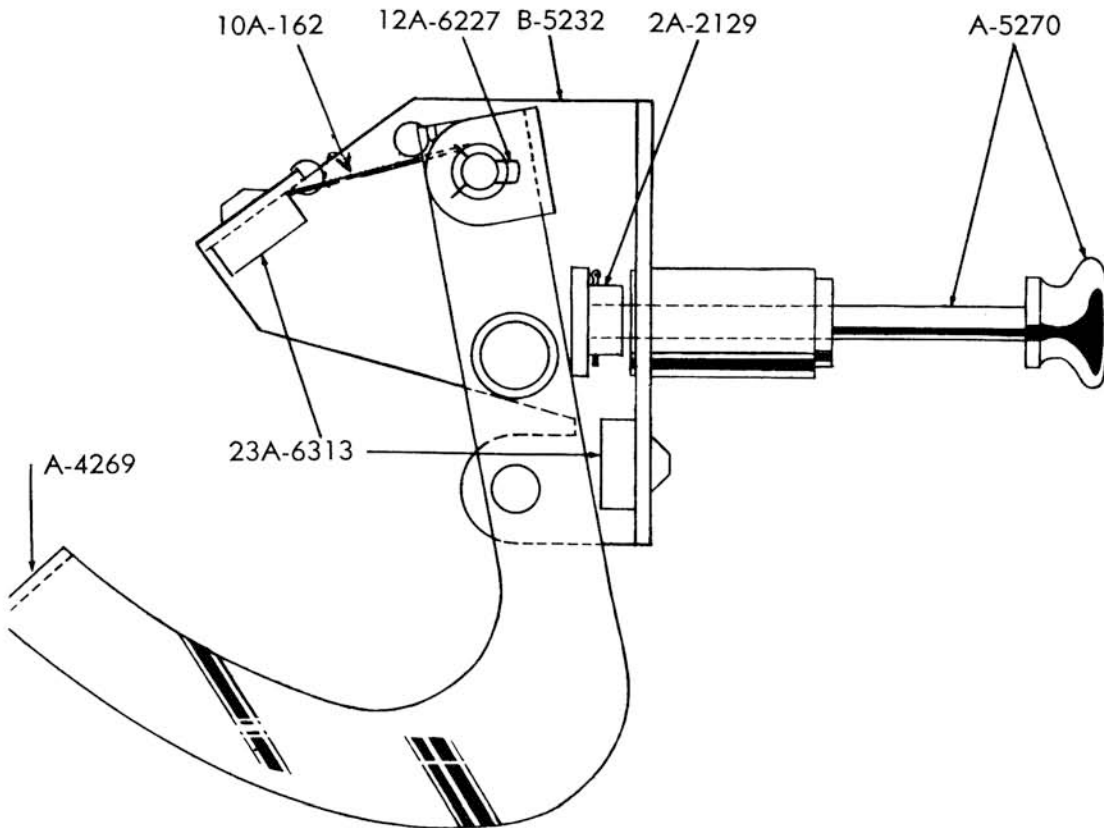
BALL RELEASE ASSEMBLY

B-5073

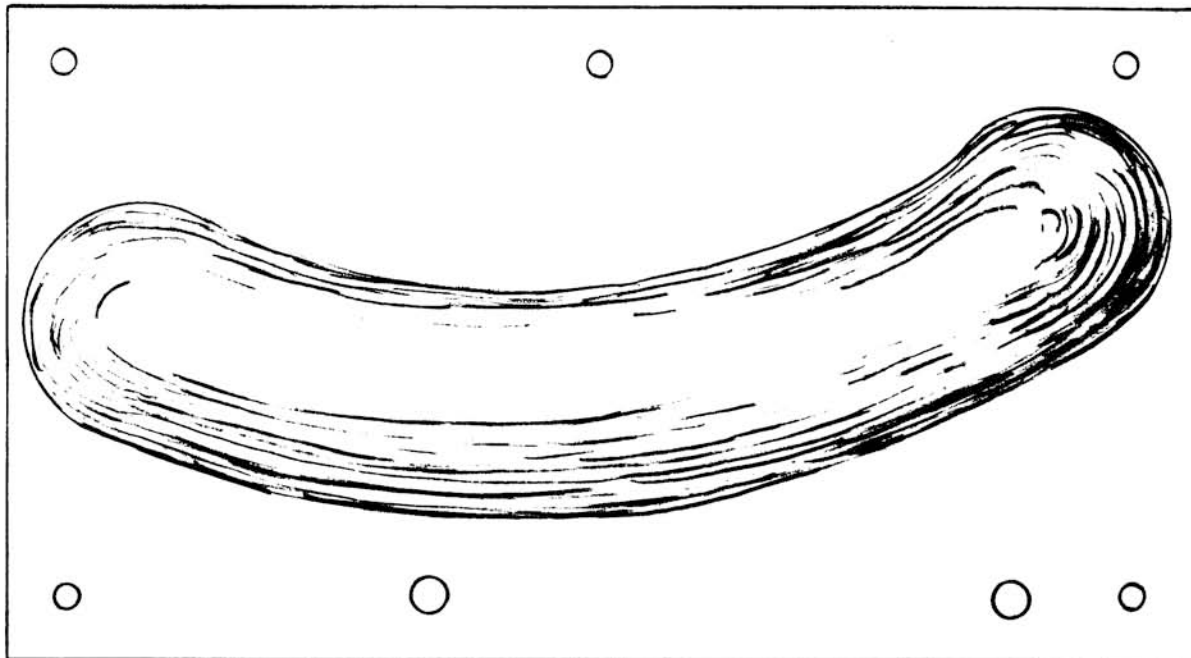
Coil No's Printed in Black - 50V
 Coil No's Printed in Red - 24V
 Use Coil Chart Supplied With Each
 Machine, When Ordering Coils.



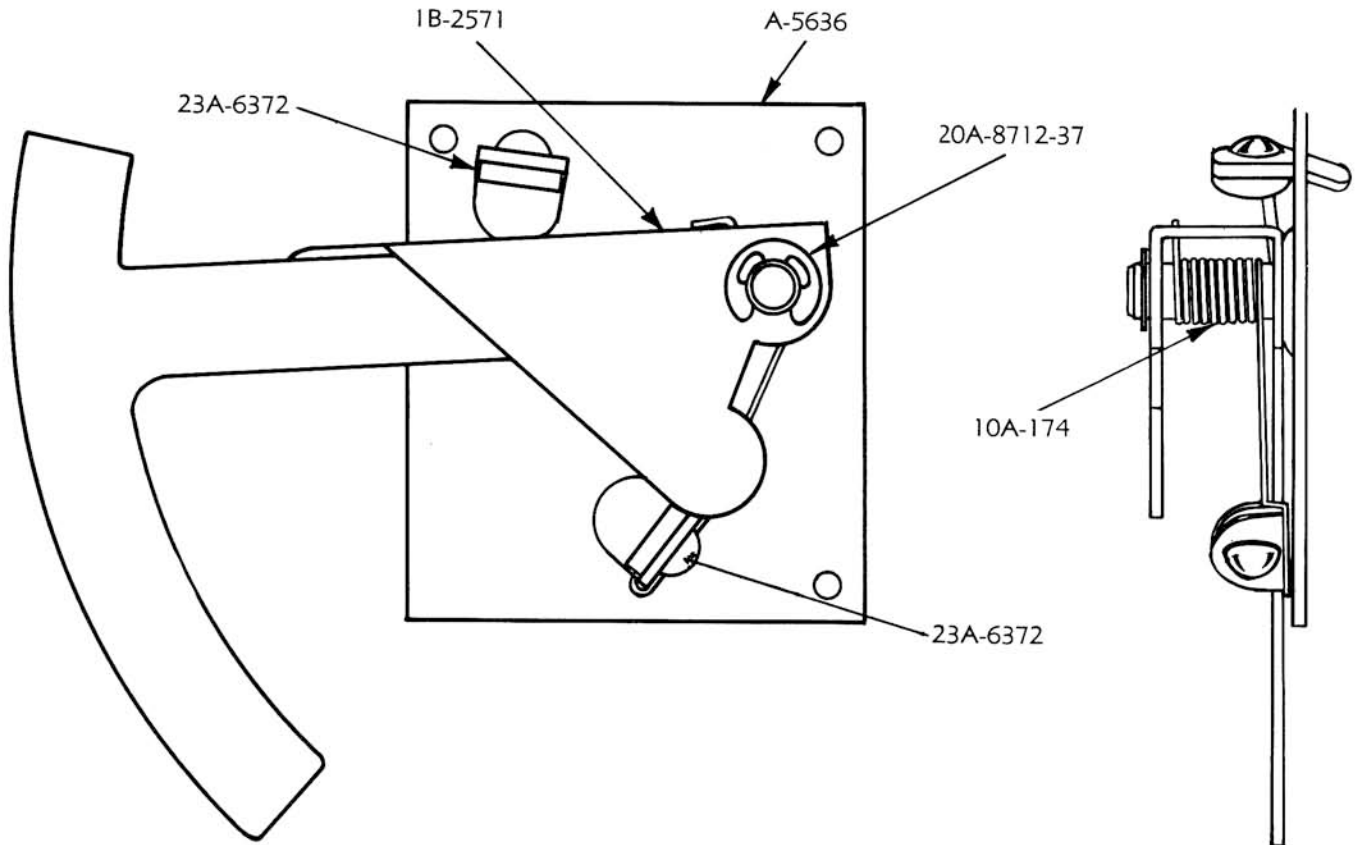
B-5257 BALL LIFT ASSEMBLY



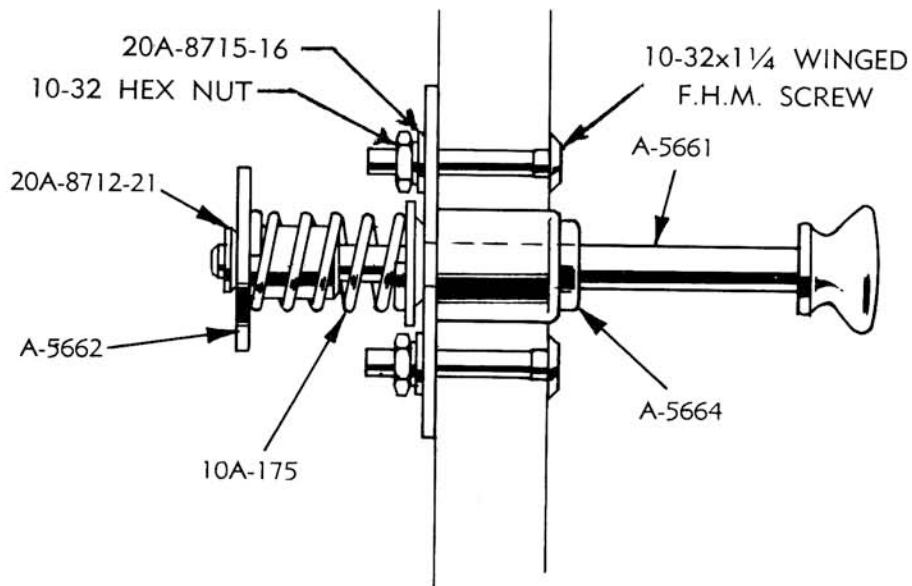
1B-2573 BALL LIFT GUIDE



C-5676 BALL LIFT ASSEMBLY



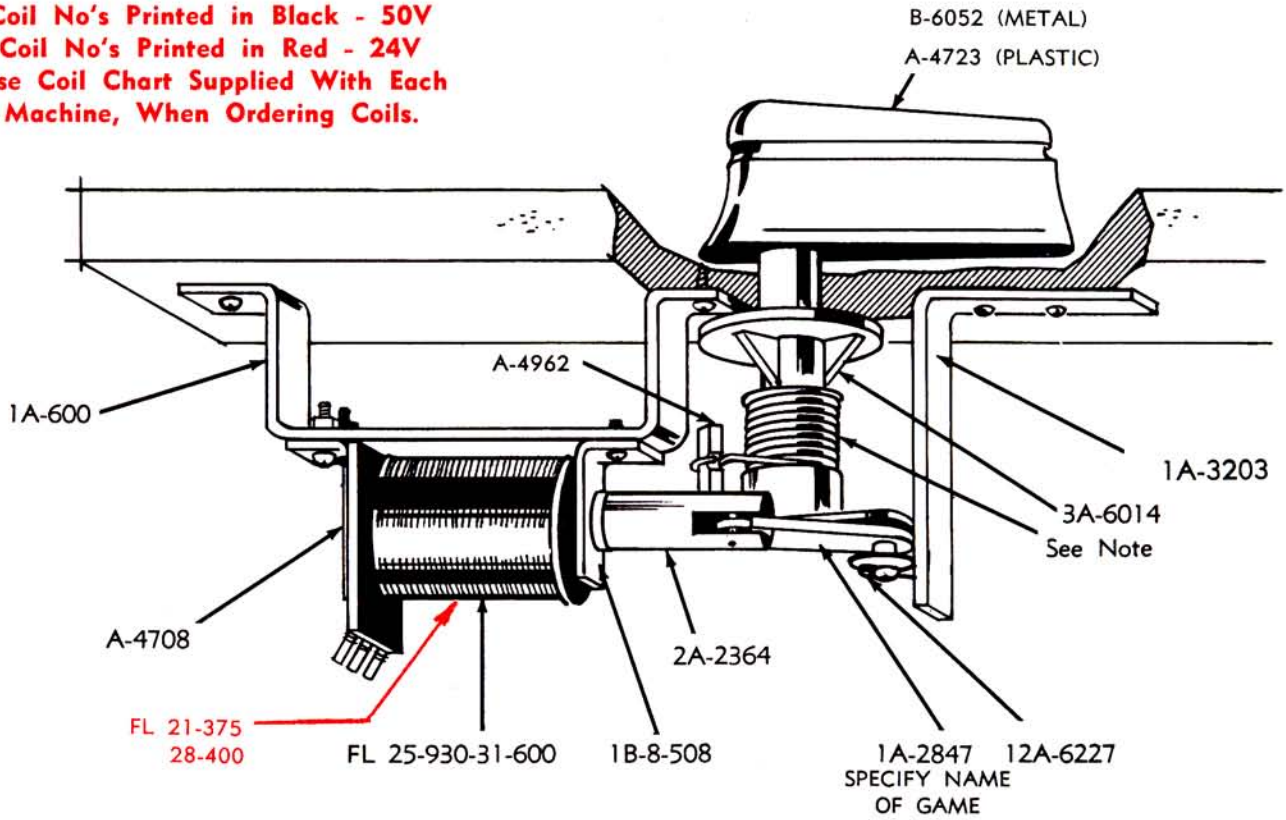
B-5663 BALL LIFT PUSHER ASSEMBLY



(METAL)

B-6228 FLIPPER & COIL ASSEMBLY

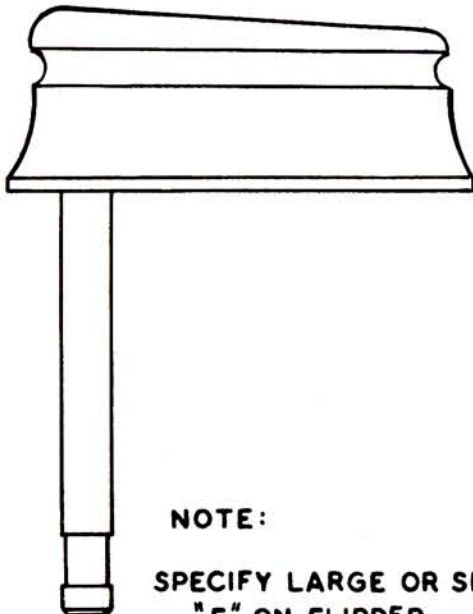
Coil No's Printed in Black - 50V
Coil No's Printed in Red - 24V
Use Coil Chart Supplied With Each Machine, When Ordering Coils.



NOTE: 10A-127 RIGHT FLIPPER ASSEMBLY — SPRING
10A-136 LEFT FLIPPER ASSEMBLY — SPRING

METAL

B-6052 FLIPPER ASSEMBLY



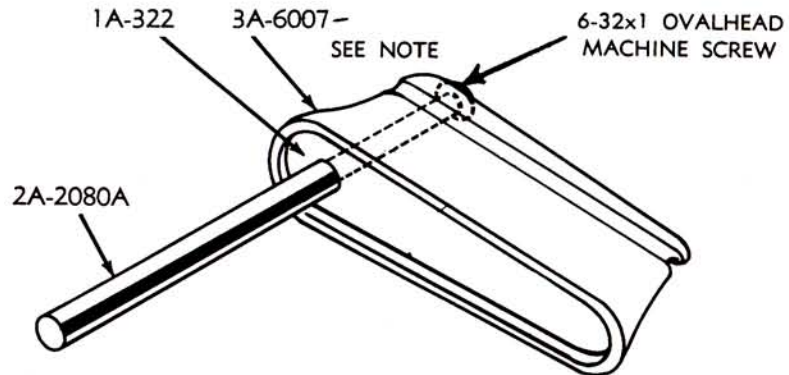
NOTE:

SPECIFY LARGE OR SMALL
"F" ON FLIPPER

B-6052 L — LARGE F
B-6052 R — SMALL F

PLASTIC

A-4723 FLIPPER ASSEMBLY

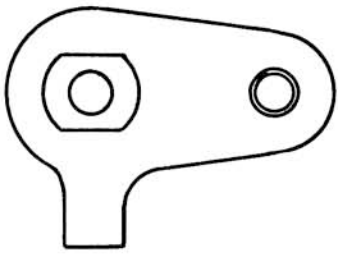


NOTE:

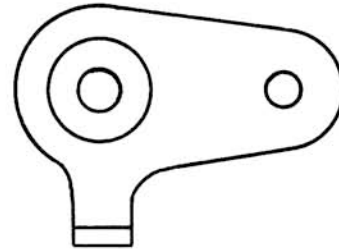
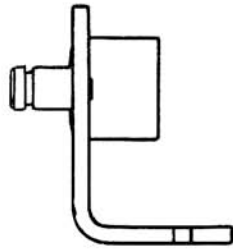
SPECIFY LARGE OR SMALL
"F" ON FLIPPER

3A-6007 L — LARGE F
3A-6007 R — SMALL F

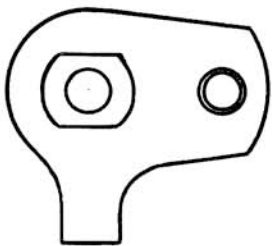
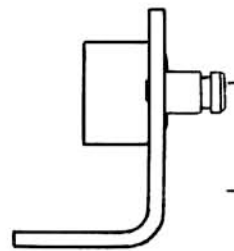
PARTS FOR FLIPPERS



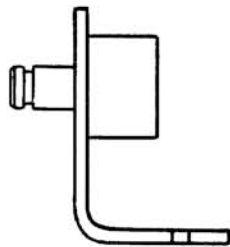
A-4962 L



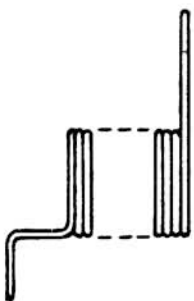
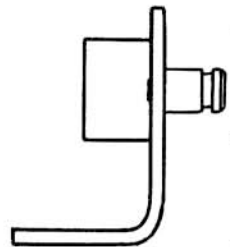
A-4962 R



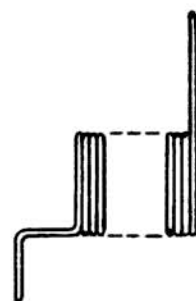
A-4962-IL



A-4962-IR



10A-136 (L)

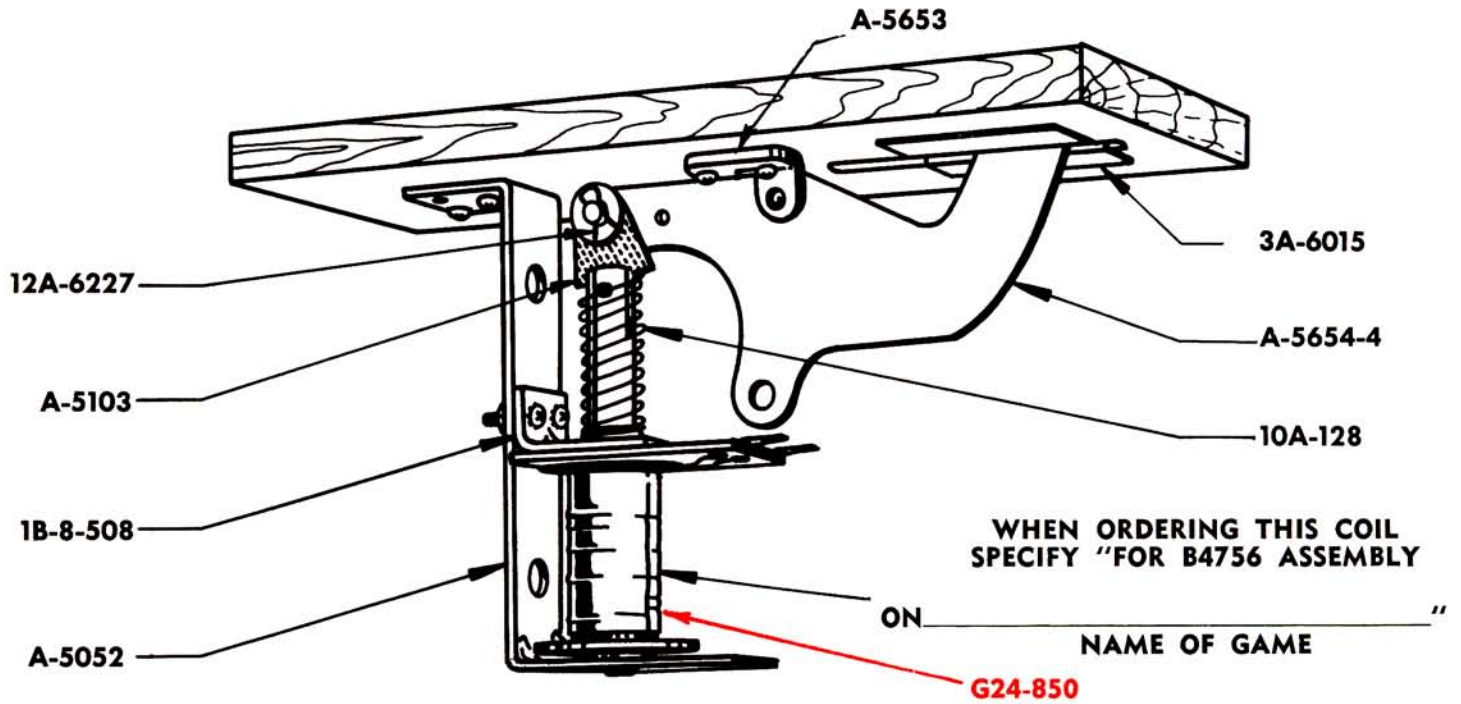


10A-127 (R)



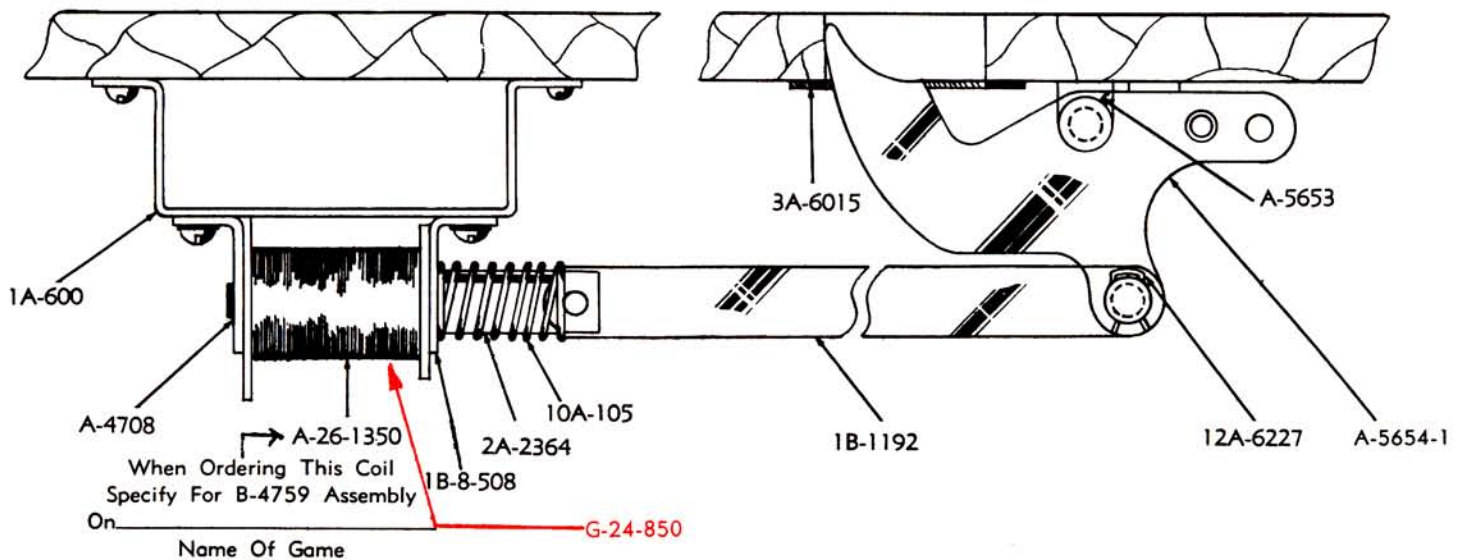
FLIPPER RETURN SPRINGS . .

B-4756 BALL EJECT ASSEMBLY (VERTICAL)

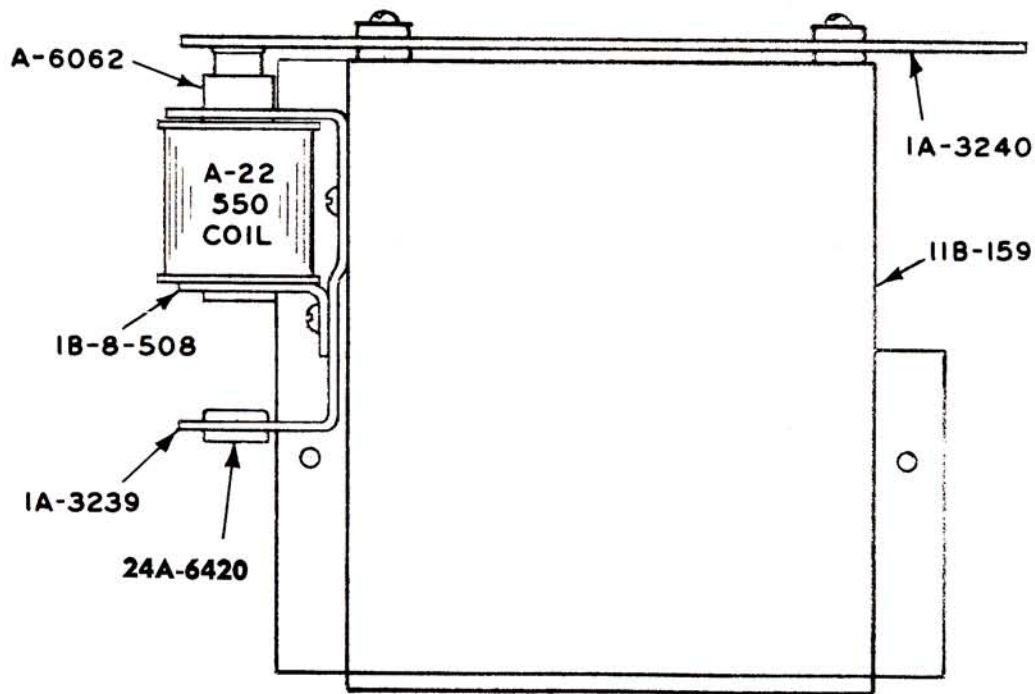


Coil No's Printed in Black - 50V
 Coil No's Printed in Red - 24V
 Use Coil Chart Supplied With Each
 Machine, When Ordering Coils.

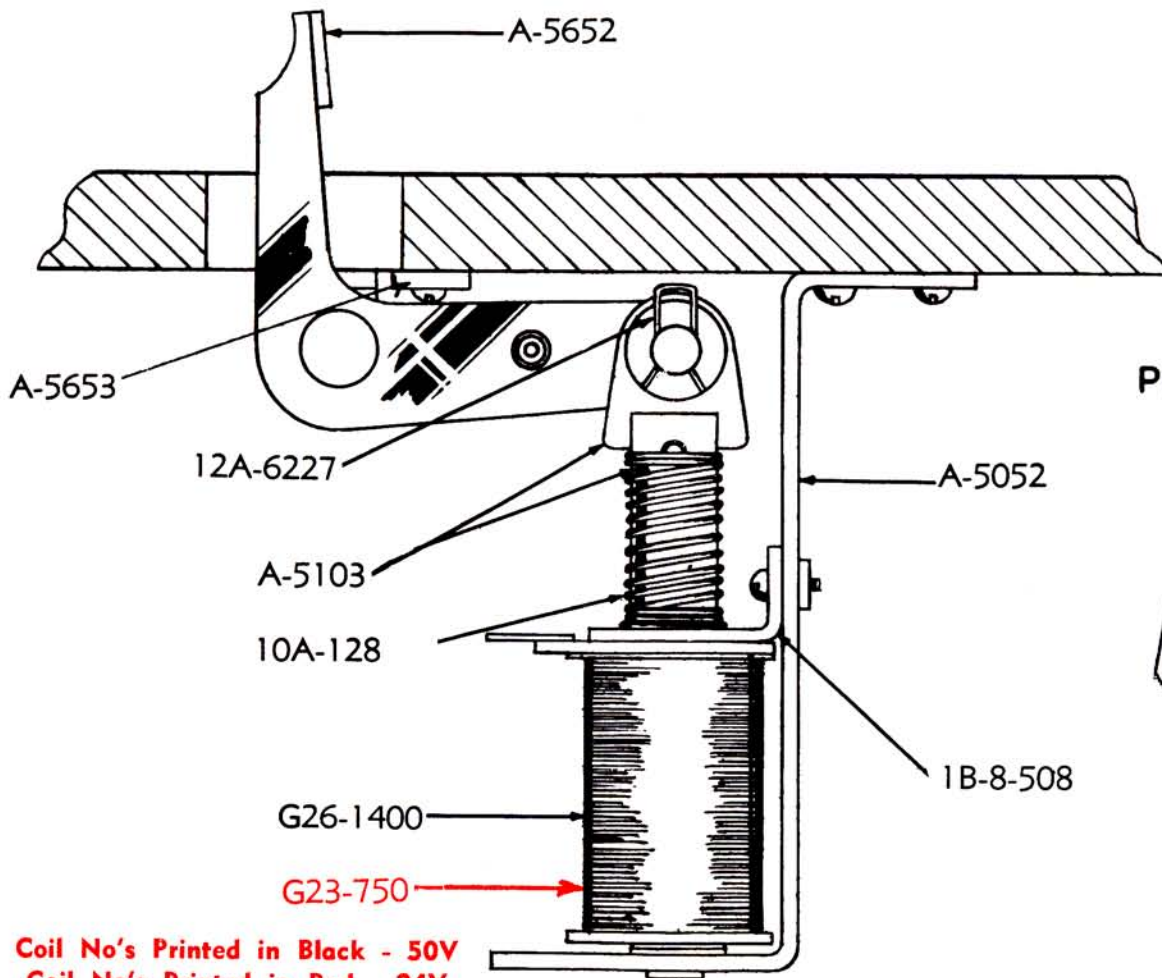
B-4759 BALL EJECT ASSEMBLY (with Link)



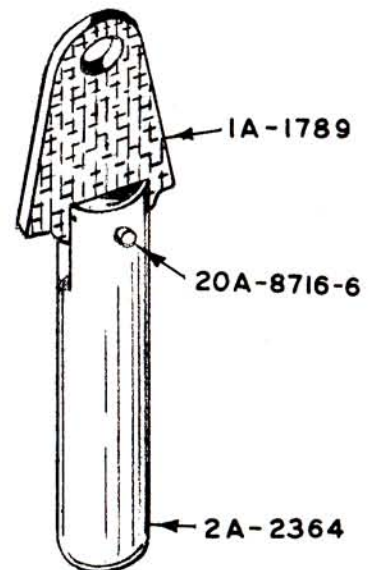
CHIME BOX ASSEMBLY B-6072



B-5104 KICKER ASSEMBLY

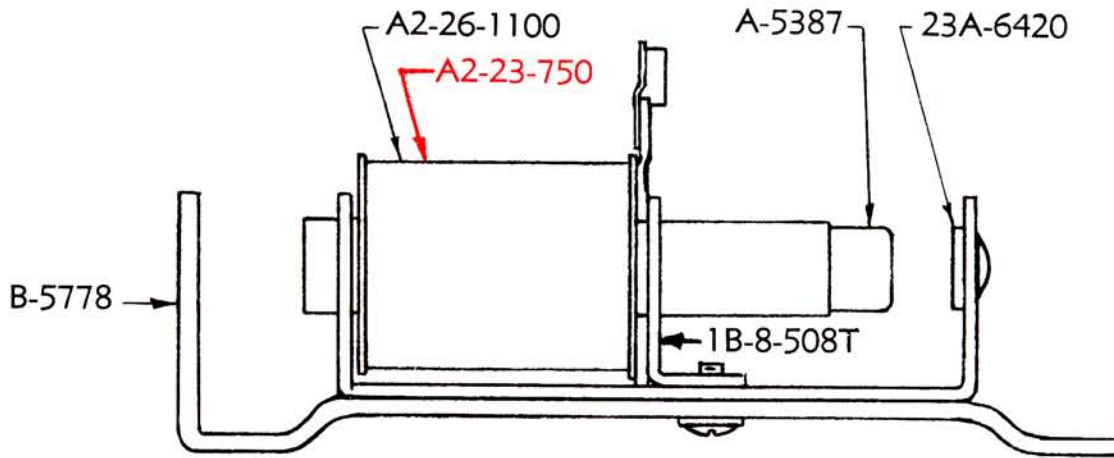


A-5103 PLUNGER ASSEMBLY



Coil No's Printed in Black - 50V
Coil No's Printed in Red - 24V
Use Coil Chart Supplied With Each
Machine, When Ordering Coils.

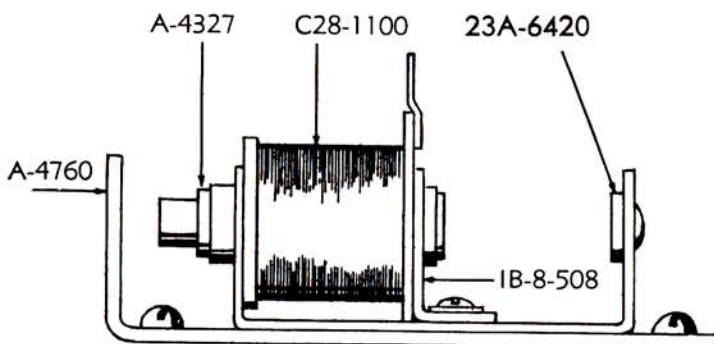
**NEW
B-5779 KNOCKER ASS'Y**



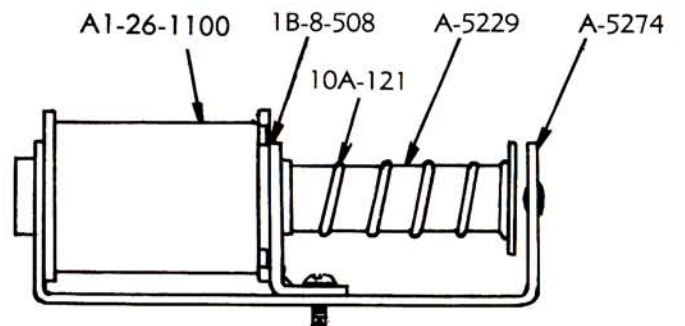
**Coil No's Printed in Black - 50V
Coil No's Printed in Red - 24V
Use Coil Chart Supplied With Each
Machine, When Ordering Coils.**

OLD TYPE

A-4761 KNOCKER ASSEMBLY

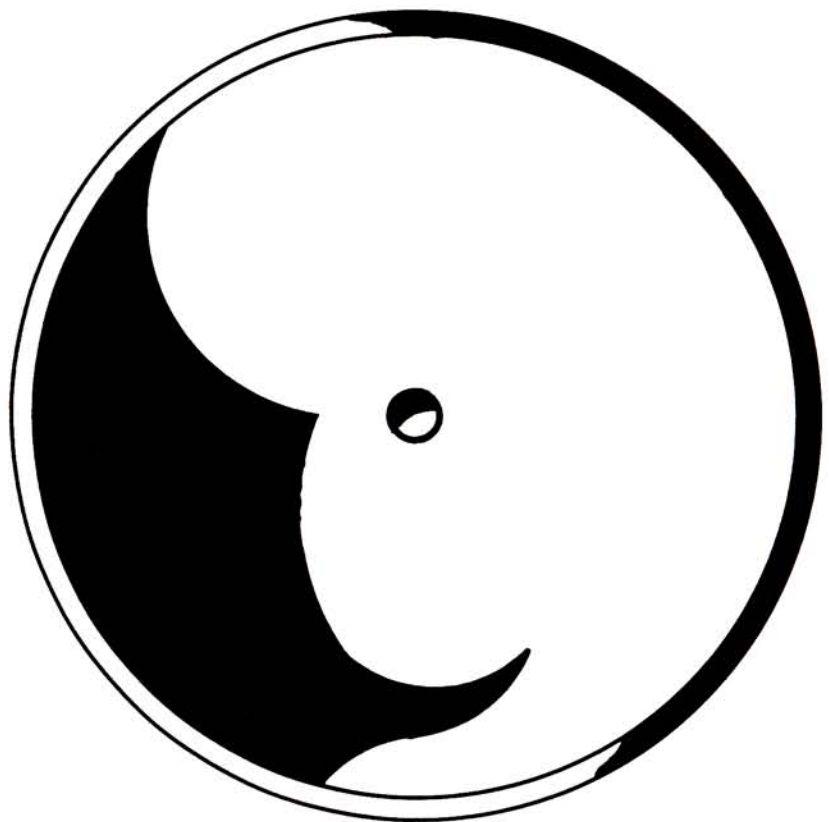
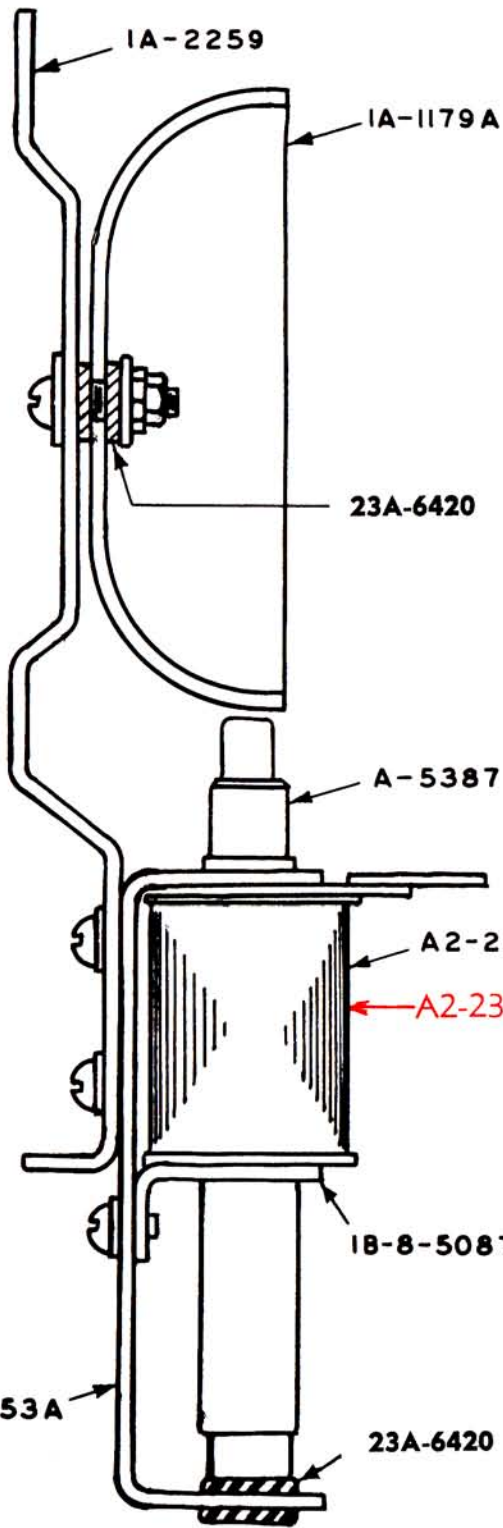


A-5230 SHOOTER COIL ASSEMBLY

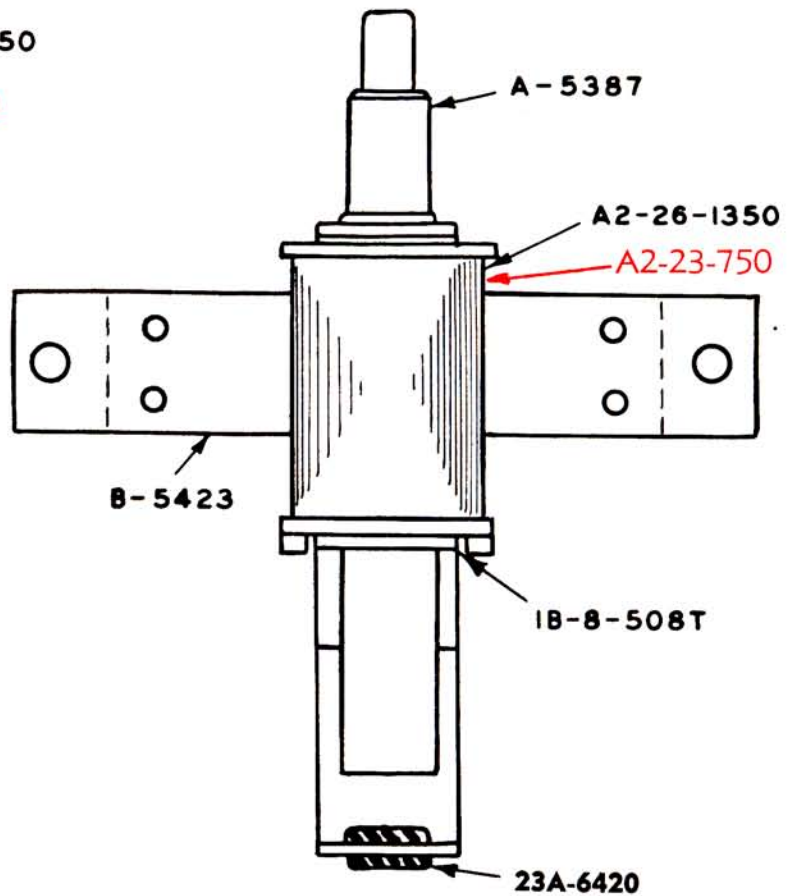


**SMALL BELL ASSEMBLY
B-6071**

**LARGE BELL
IB-1178**

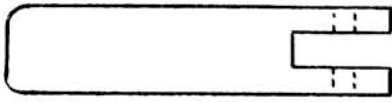


**COIL & BRACKET ASSEMBLY
B-5393**

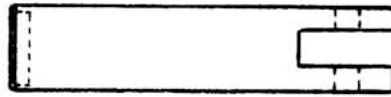


**Coil No's Printed in Black - 50V
Coil No's Printed in Red - 24V
Use Coil Chart Supplied With Each
Machine, When Ordering Coils.**

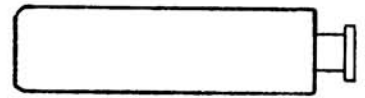
SOLENOID PLUNGERS



2A-2364



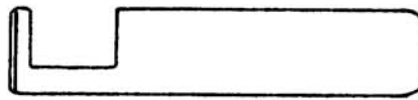
A-4959



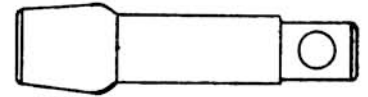
2A-2527



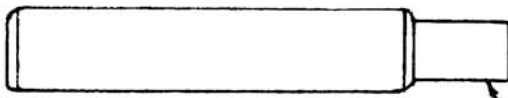
2A-2770



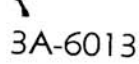
2A-2767



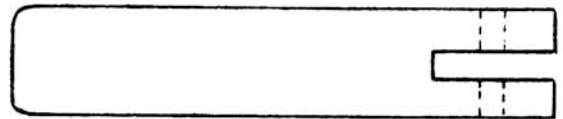
2A-2676-1



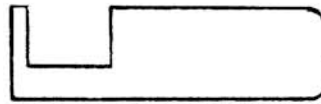
A-5387



3A-6013

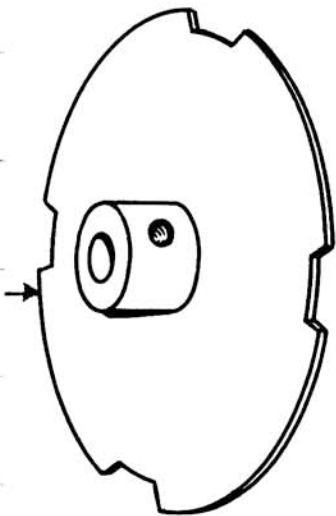


2A-2670

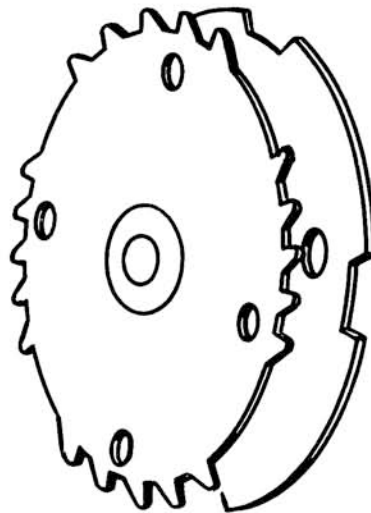


2A-2051

MOTOR CAM ASSEMBLIES

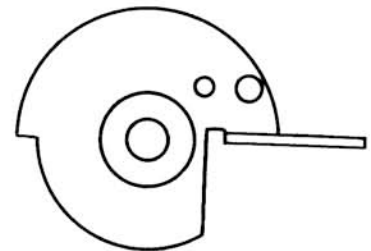


B5798



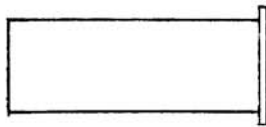
A5610

TRIP CAM

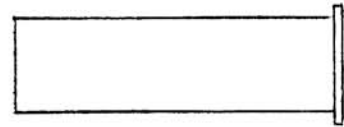


A-5804

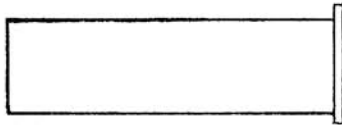
COIL REPLACEMENT SLEEVES



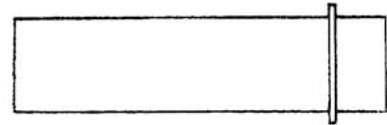
3A-7066-1



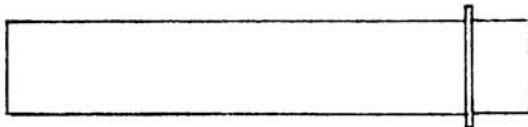
3A-7066-2



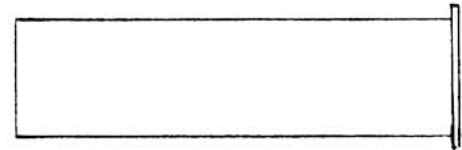
3A-7066



3A-7067



3A-7067-1



3A-7068

Coil Sleeve Replacement Chart

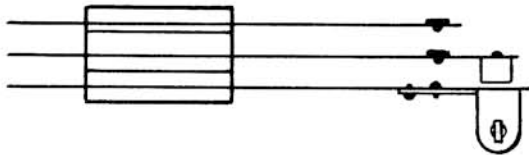
24 VOLT COILS

COIL No.	SLEEVE
A-22-550	3A-7066
A-23-600	3A-7066
A-23-650	3A-7066
A-26-1350	3A-7066
A-2-23-750	3A-7067-1
B-26-800	3A-7066-1
C-2-26-800	3A-7067-2
DU-23-740	3A-7066-2
FL-21-28	3A-7066
G-22-550	3A-7066
G-23-750	3A-7066
G-24-850	3A-7066

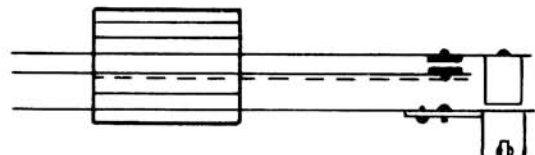
50 VOLT COILS

COIL No.	SLEEVE
A-25-950	3A-7066
A-26-1100	3A-7066
A1-26-1100	3A-7067
A-2-26-1100	3A-7067-1
A-2-26-1350	3A-7067-1
A-3-25-950	3A-7067-1
A-30-2700	3A-7066
AS-20-900	2A-2709
B-29-1600	3A-7066-1
D-22-1150	3A-7068
D-24-1150	3A-7068
D-24-1400	3A-7068
D-24-1600	3A-7068
DU-26-1350	3A-7066-2
FL-25/31	3A-7066
G-25-1100	3A-7066
GI-25-1100	3A-7066
G-26-1400	3A-7066

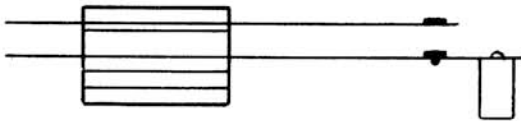
MOTOR CAM SWITCHES



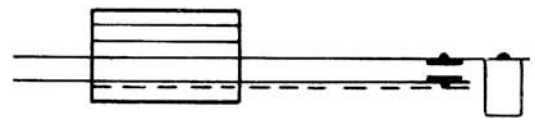
SW-1-C MAKE SWITCH
(SMALL CONTACTS)



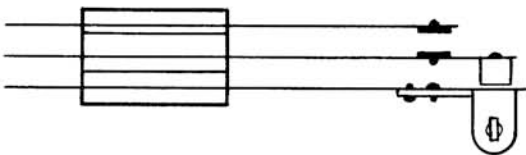
SW-20C BREAK SW.
(LARGE CONTACTS)



SW-1-C1 MAKE SWITCH
(SMALL CONTACTS)



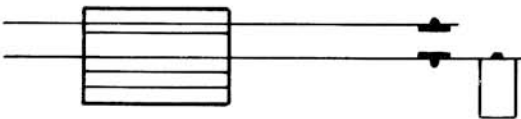
SW-20C-1 BREAK SWITCH
(LARGE CONTACTS)



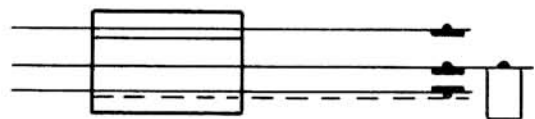
SW-10C MAKE SWITCH
(LARGE CONTACTS)



SW-30C MAKE-BREAK SW.
(LARGE CONTACTS)



SW-10C-1 MAKE SWITCH
(LARGE CONTACTS)

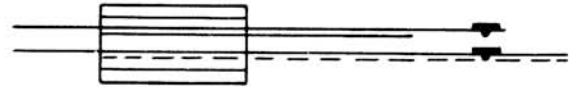


SW-30C-1 MAKE-BREAK SW.
(LARGE CONTACTS)

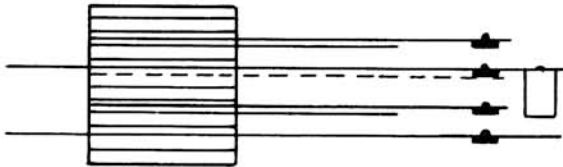
MISCELLANEOUS PIN GAME SWITCHES



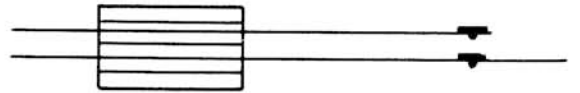
SW. 1A-2
ROLL-OVER WIRE
SINGLE MAKE SW.



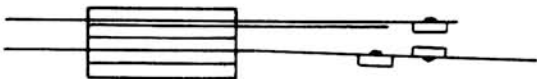
SW. 1A-6
BALL TROUGH SW.



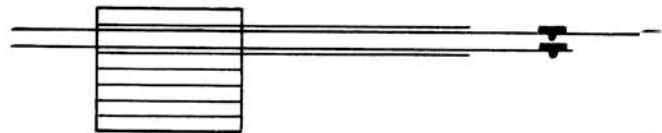
SW. IIA-2
ROLL-OVER WIRE
DOUBLE MAKE SW.



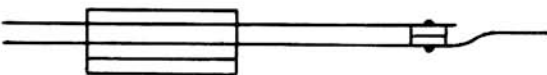
SW. 1A-5
KICKER COUNT SW.



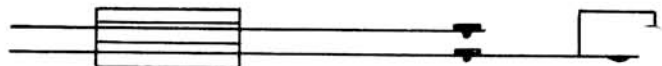
SW. 1A-45
ROLL-OVER BUTTON
MAKE SWITCH



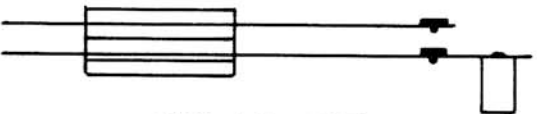
SW. 2A-3
GAME KICK-OFF SWITCH



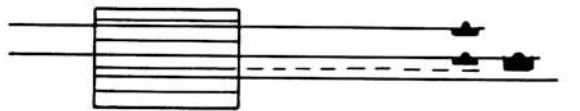
SW. 20A
ROLL-OVER BUTTON
BREAK SWITCH



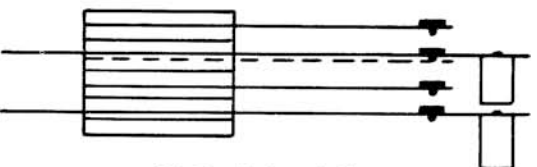
SW. 1A-1
SHAKE TILT SWITCH



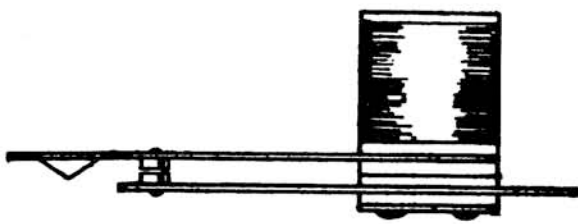
SW. 1A-27
SINGLE EJECT SWITCH



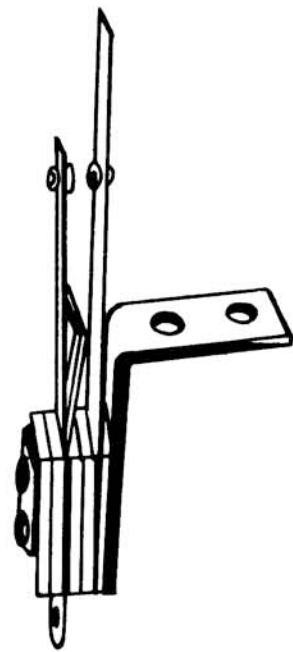
SW. 1A-3
PUSH BUTTON SWITCH



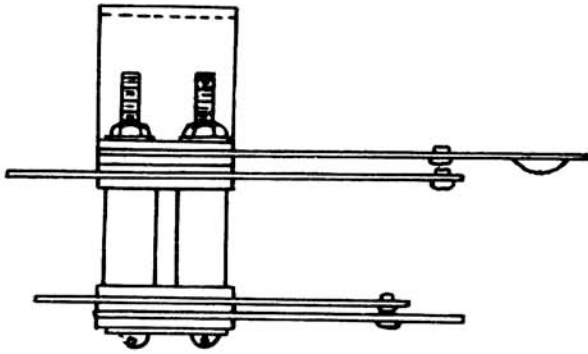
SW. IIA-10
DOUBLE EJECT SWITCH



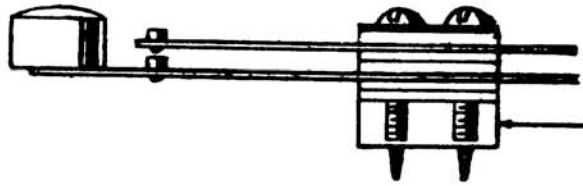
A-5324 BUMPER SWITCH ASSEMBLY



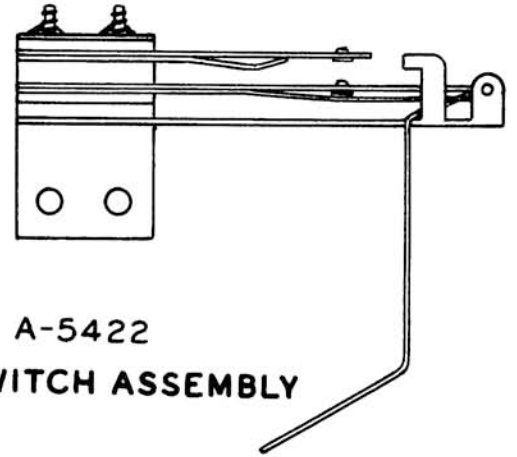
A-4834 STAND UP SWITCH ASSEMBLY



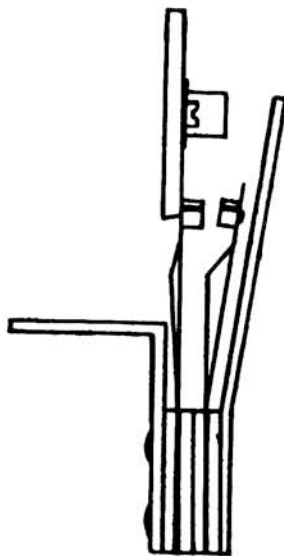
A-4783 JET BUMPER SWITCH ASSEMBLY



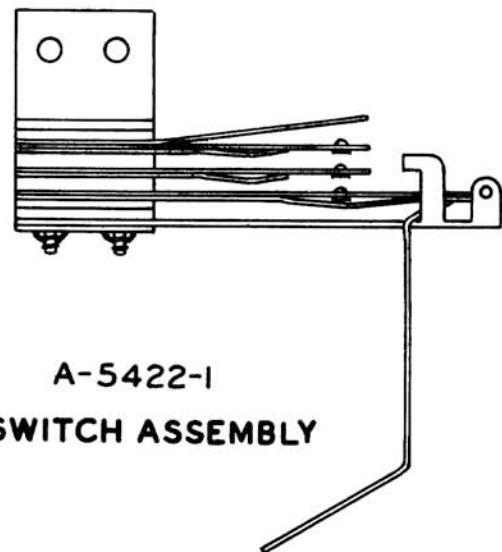
A-5325 TILT SWITCH ASSEMBLY



**A-5422
BASE SWITCH ASSEMBLY**

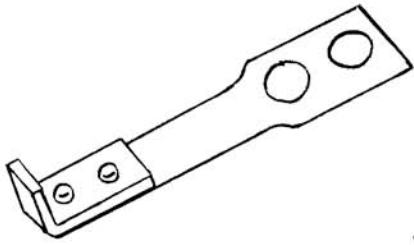


**TARGET SWITCH ASSEMBLY
A-4735**

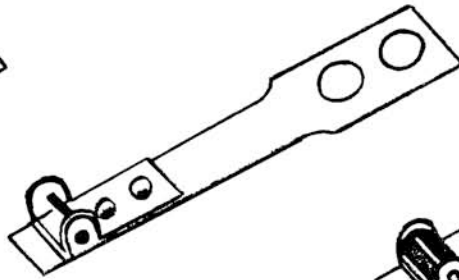


**A-5422-1
RUN SWITCH ASSEMBLY**

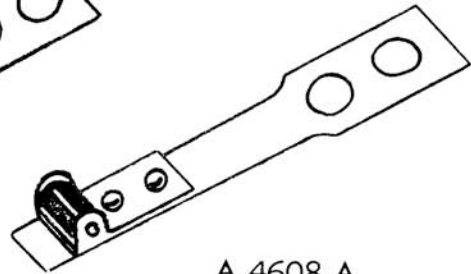
CAM FOLLOWERS



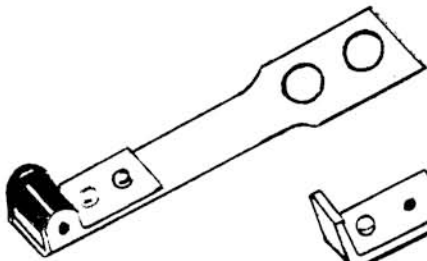
A-4705



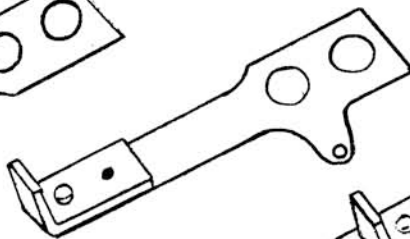
A-4608



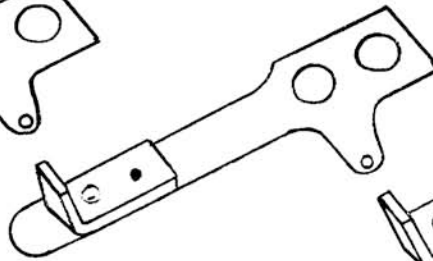
A-4608-A



A-4608-B



A-5041

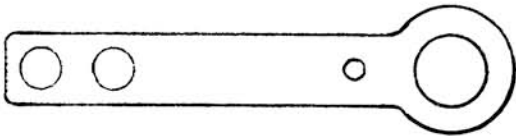


A-5041-A



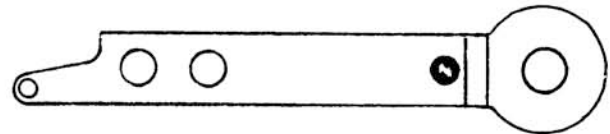
A-5041-B

SWITCH BLADES



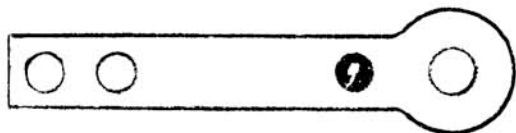
A-4744

BUMPER SWITCH BLADE



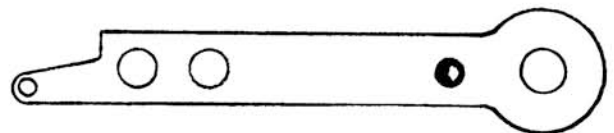
A-4744-2

R.O. BUTTON SWITCH BLADE



A-4744-1

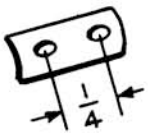
TARGET SWITCH BLADE



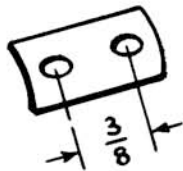
A-4744-3

R.O. BUTTON SWITCH BLADE

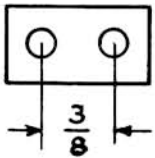
SWITCH COVER PLATE



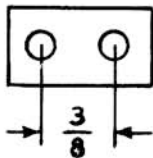
IA-2048



IA-1248

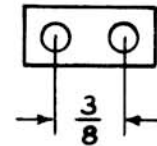
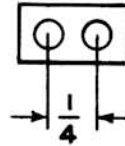


STEEL
IA-15



ALUMINUM
IA-916 RA

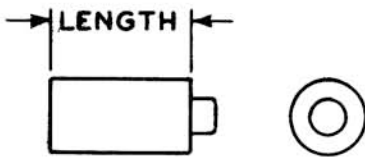
SWITCH SPACERS BAKELITE



THICKNESS	NO.
1/64	IA-2005-4
1/32	IA-2005-2
1/16	IA-2005-1
3/32	IA-2005-3

THICKNESS	NO.
3/32	IA-916-B
1/16	IA-916-L
1/32	IA-916-T

SWITCH BLADE LIFTER



SWITCH TUBING
3A-7006
FOR "M" RELAY SWITCHES
SPECIFY LENGTH



SWITCH TUBING
3A-7007
SPECIFY LENGTH

LENGTH	NO.
1/16	3A-6022-2
3/32	3A-6022-3
1/8	3A-6022-4
5/32	3A-6022-5
3/16	3A-6022-6
7/32	3A-6022-7
1/4	3A-6022-8
9/32	3A-6022-9
5/16	3A-6022-10
11/32	3A-6022-11
3/8	3A-6022-12

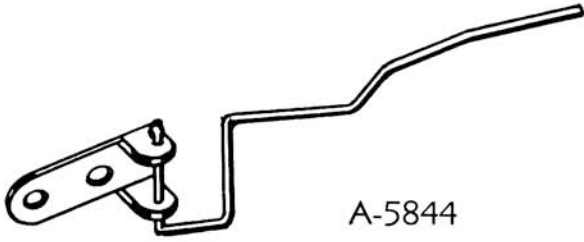


6A-14



6A-14 B

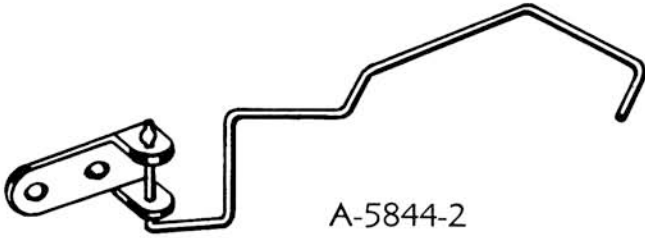
WIRE FORMS



A-5844



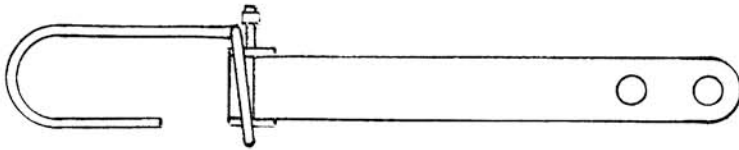
A-5844-1



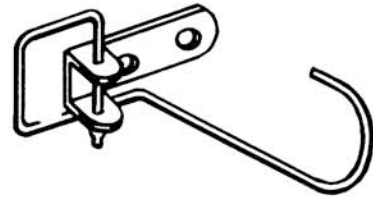
A-5844-2



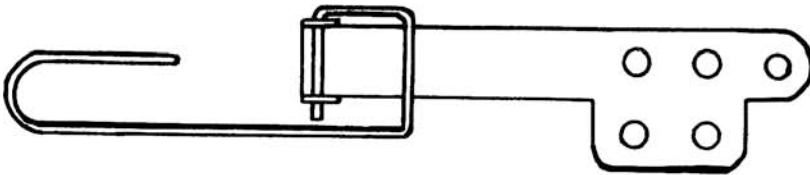
A-5844-3



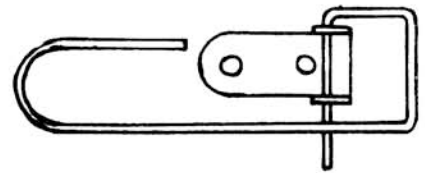
A-5844-4



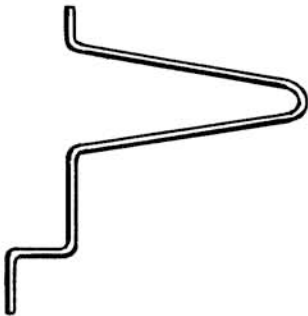
A-5844-5



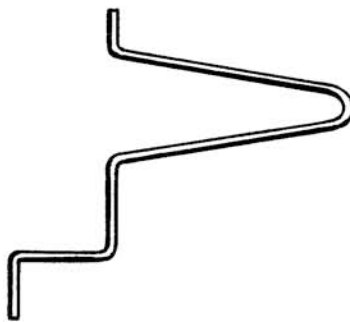
A-5844-6



A-5844-7



12A-6285
(LONG)



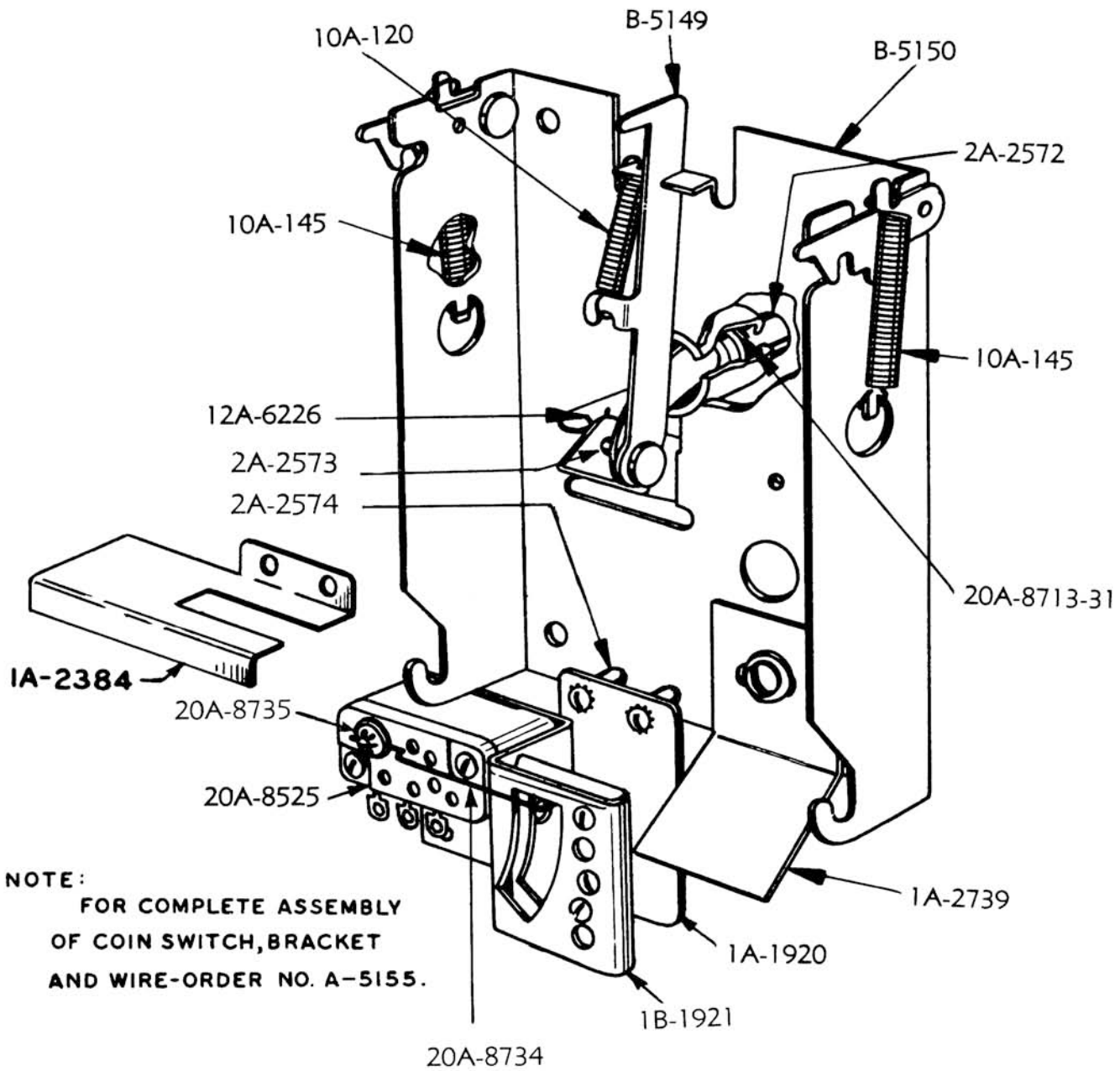
12A-6285-A



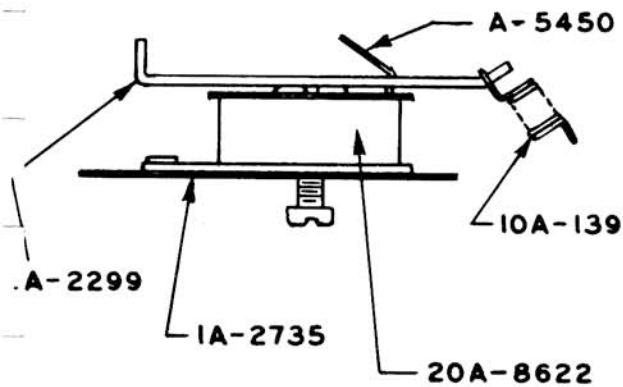
12A-6285-B
(SHORT)



B-5151 SLUG REJECTOR MOUNTING ASSEMBLY



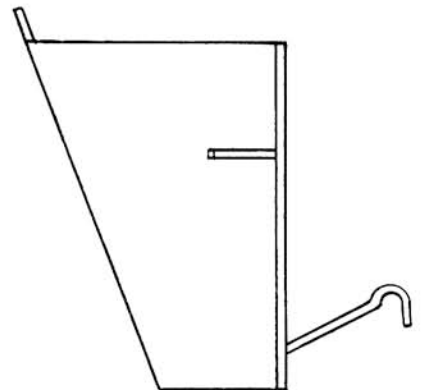
**A-5956
COIN LOCKOUT COIL**



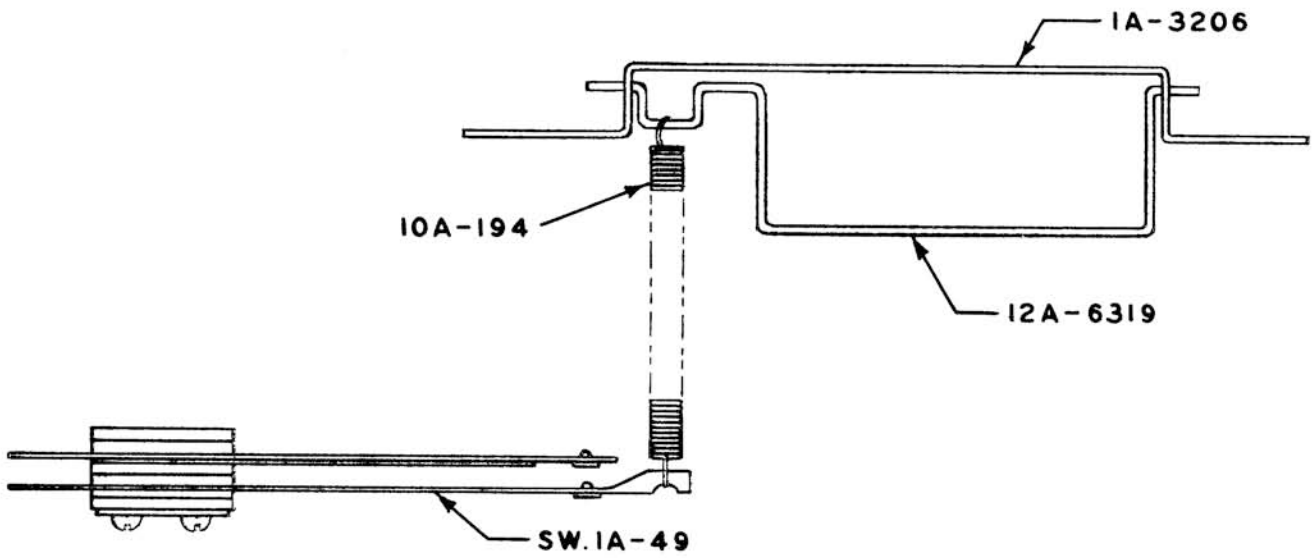
**20A-8734
COIN SWITCH
WIRE**



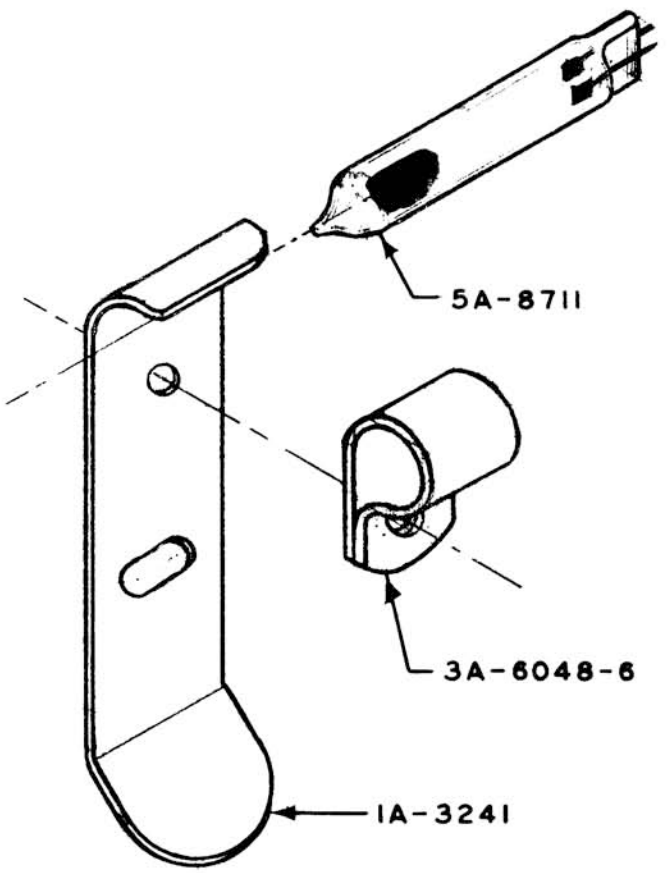
**A-5489
COIN RETURN CUP**



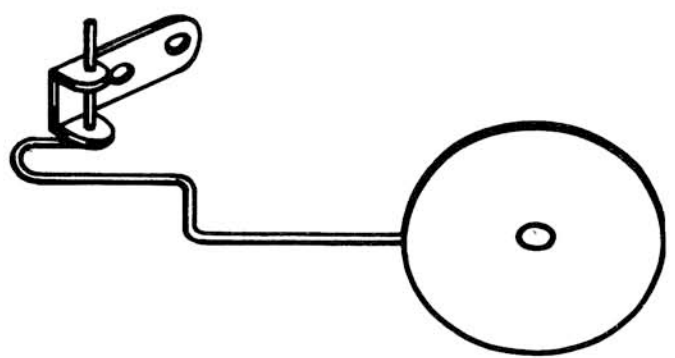
**A-6229
BALL GATE ASSEMBLY**



**A-6213
MERCURY TILT SWITCH
& BRACKET ASSEMBLY.**

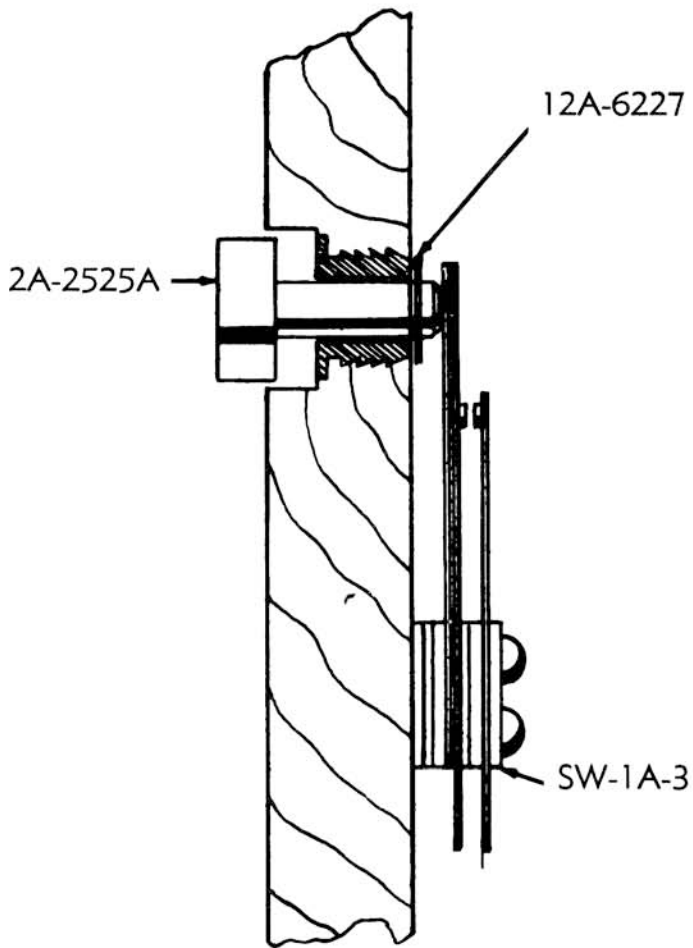


A-4786 HOLE COVER ASSEMBLY

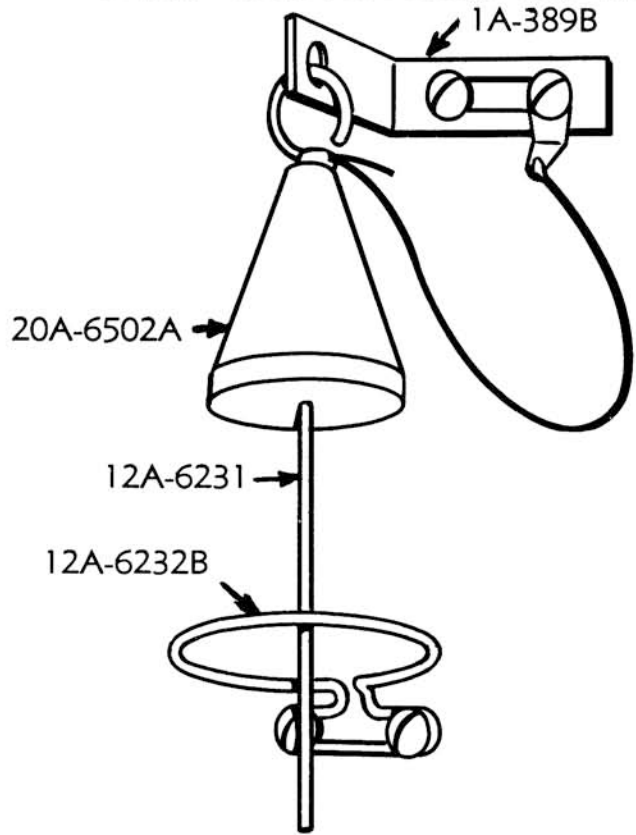


ASSEMBLY NO.	HOLE COVER SIZE
A- 4786-1	1.312 DIA.
A- 4786-2	1.625 DIA.
A- 4786-3	.875 DIA.
A- 4786-4	.625 DIA.
A- 4786-5	.750 DIA.

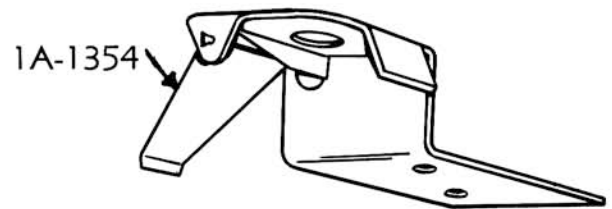
A-5069 FLIPPER BUTTON ASSEMBLY (New Style)



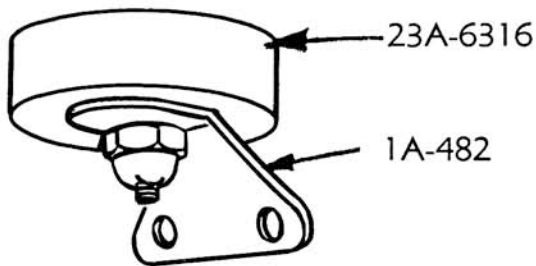
B-4729 CARBON PLUMB BOB ASSEMBLY



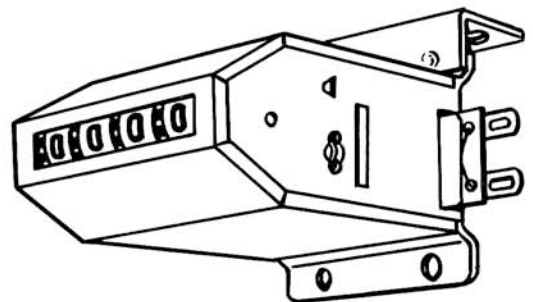
A-4817 BALL GATE ASSEMBLY



A-4741 REBOUND ASSEMBLY

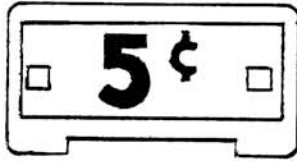


20A-8757 ELECTRIC COUNTER (24 VOLT)



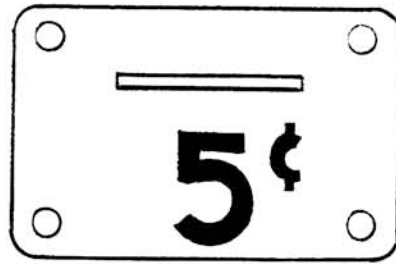
20A-6512 ELECTRIC COUNTER (50 VOLT)

**NEW STYLE
COIN ENTRY PLATE**



1B-2760-2 10 CENT
1B-2760-3 5 CENT
1B-2760-4 25 CENT

**OLD STYLE
COIN ENTRY PLATE**



9B-8561-2 10 CENT
9B-8561-3 5 CENT
9B-8561-4 25 CENT

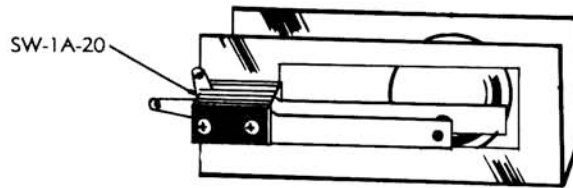
IMPORTANT:

When ordering foreign entry plates & slug rejector parts,
always specify country name, name and denomination of coin.

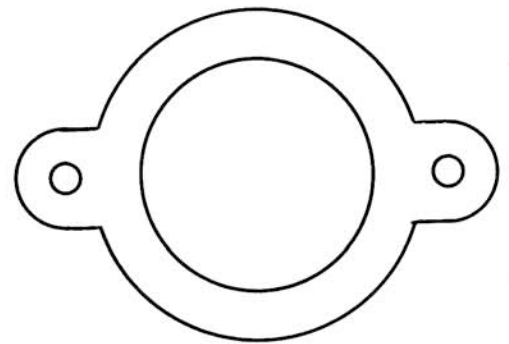
12A-6230 KEY HOOK



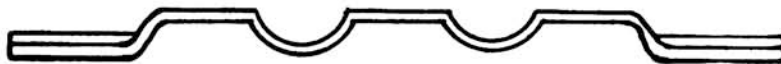
B-4724 ROLL TILT ASSEMBLY



1A-2139



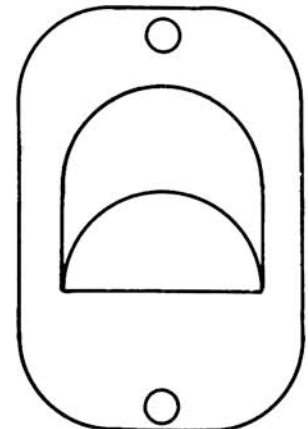
1A-1860 CIGARETTE HOLDER



1A-1900 CIGARETTE HOLDER



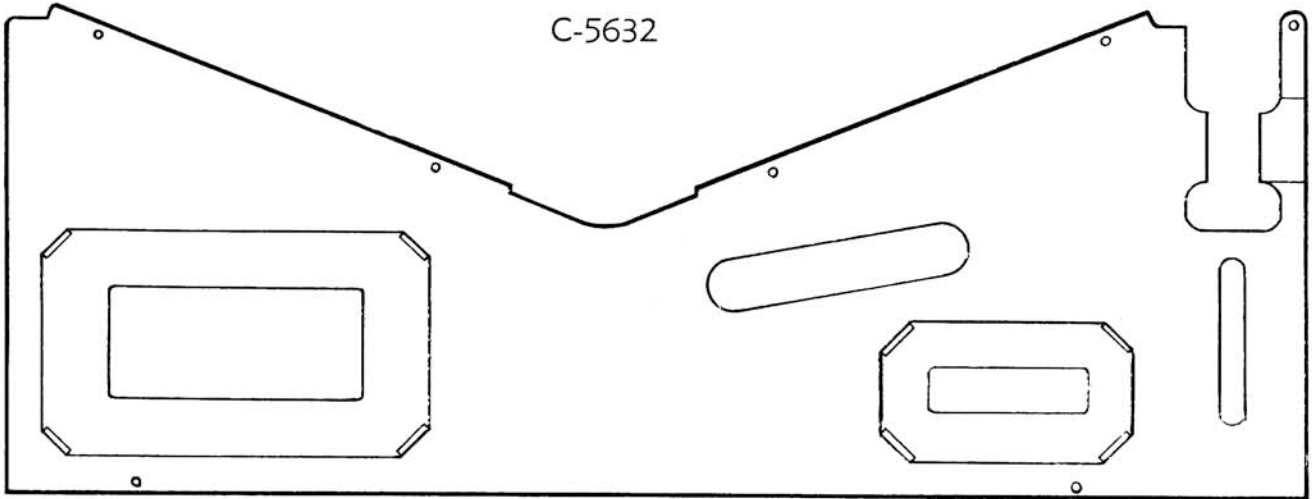
9A-6561-1



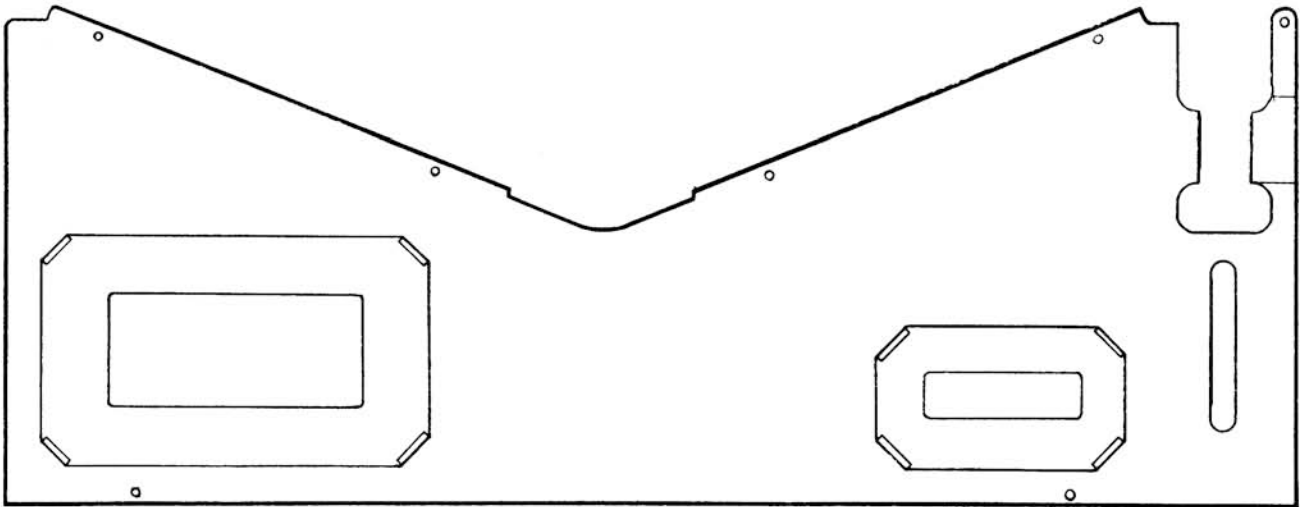
END VIEW

BOTTOM ARCH

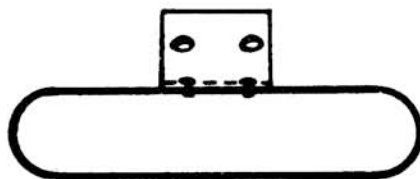
C-5632



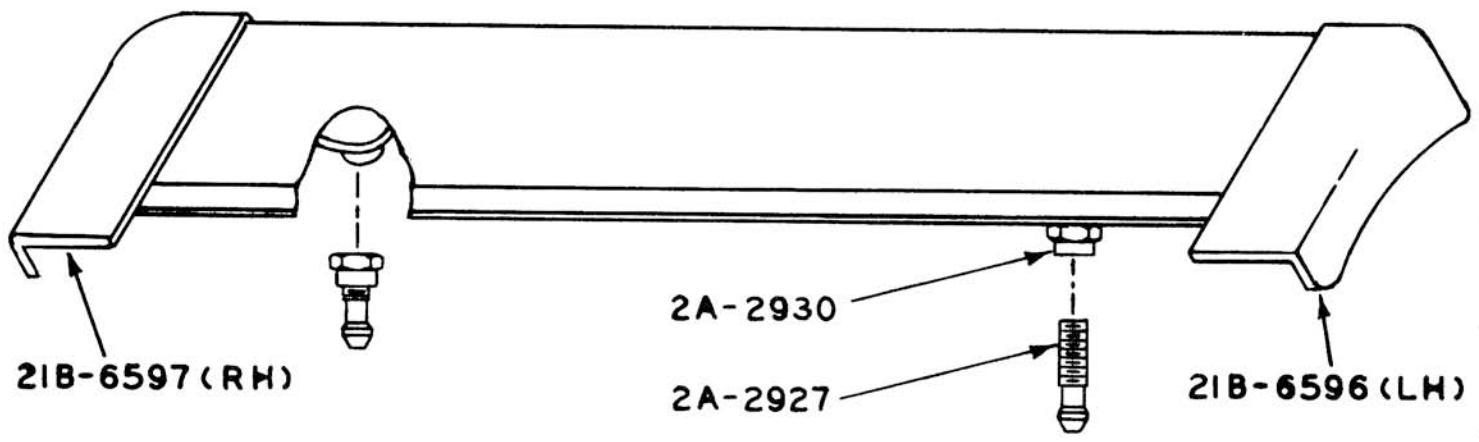
C-5632A



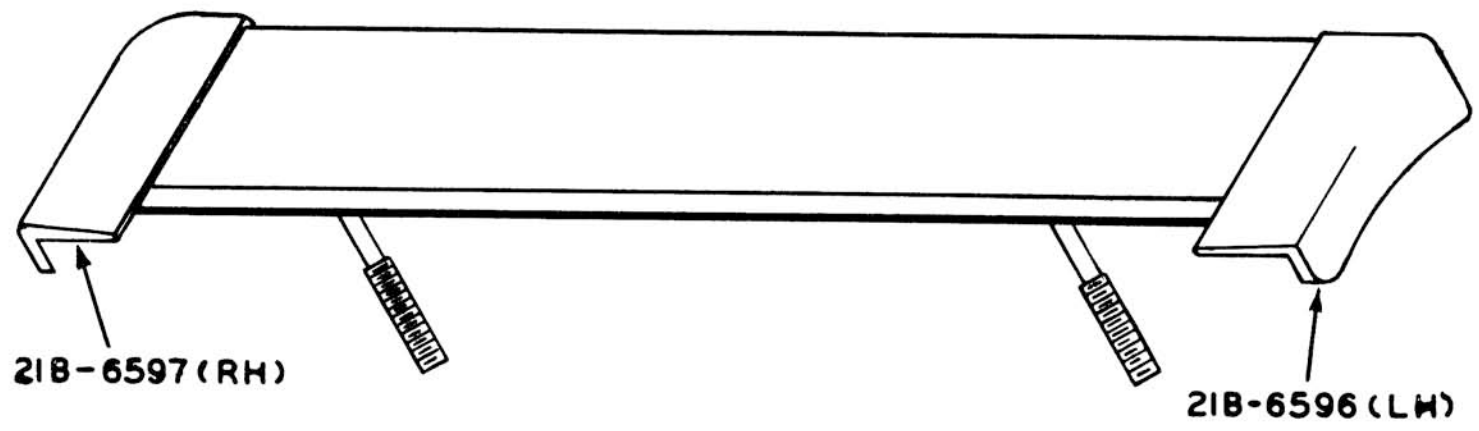
ARCH HOLE LINER ASSEMBLY



A-5233A



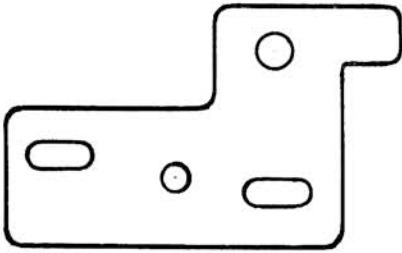
**D-6061 FRONT MOULDING (LATCH TYPE)
FOR SINGLE AND MULTI-PLAYER**



FRONT MOULDING (WITH CARRIAGE BOLTS)

- D-5835 FOR SINGLE PLAYER**
- D-5835-1 FOR MULTI-PLAYER**

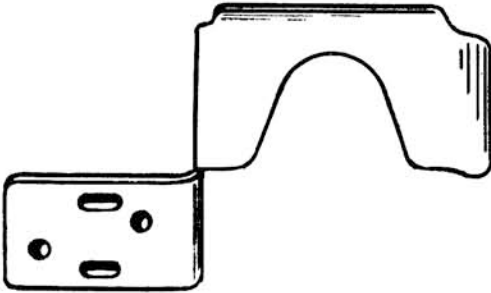
IA-2961
INSERT HINGE



IA-2962
INSERT HINGE PIVOT



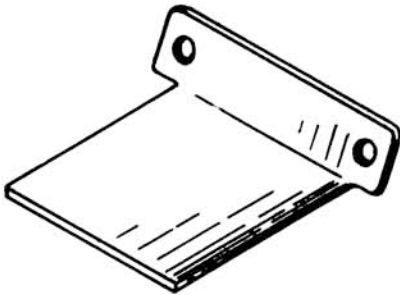
IB-2572
BALL STOP



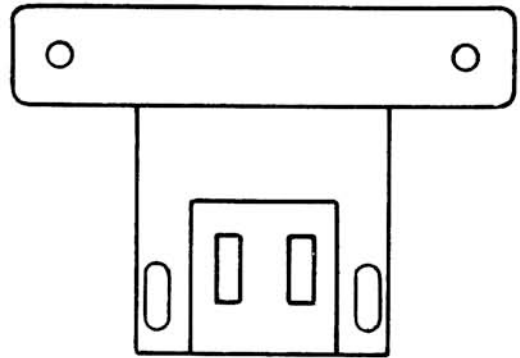
IA-3015
BALL LIFT DEFLECTOR



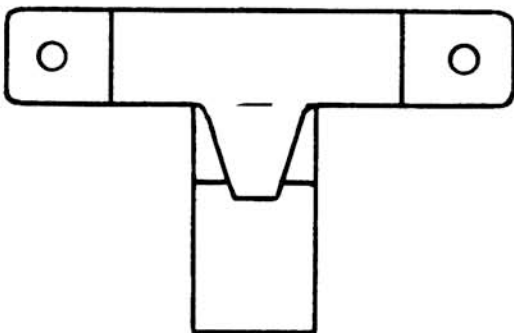
IA-3022
COIN DEFLECTOR



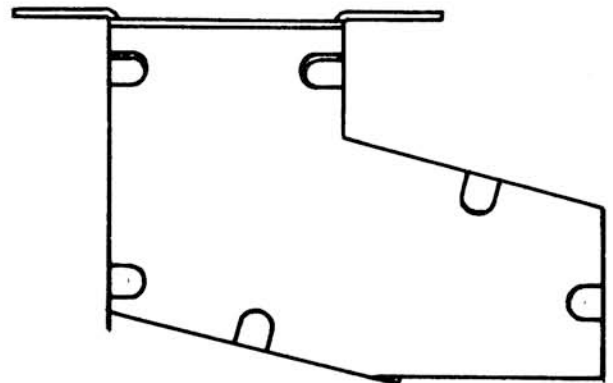
A-5775-1
COIN SLIDE ASSEMBLY



A-6051
COIN GUIDE ASSEMBLY



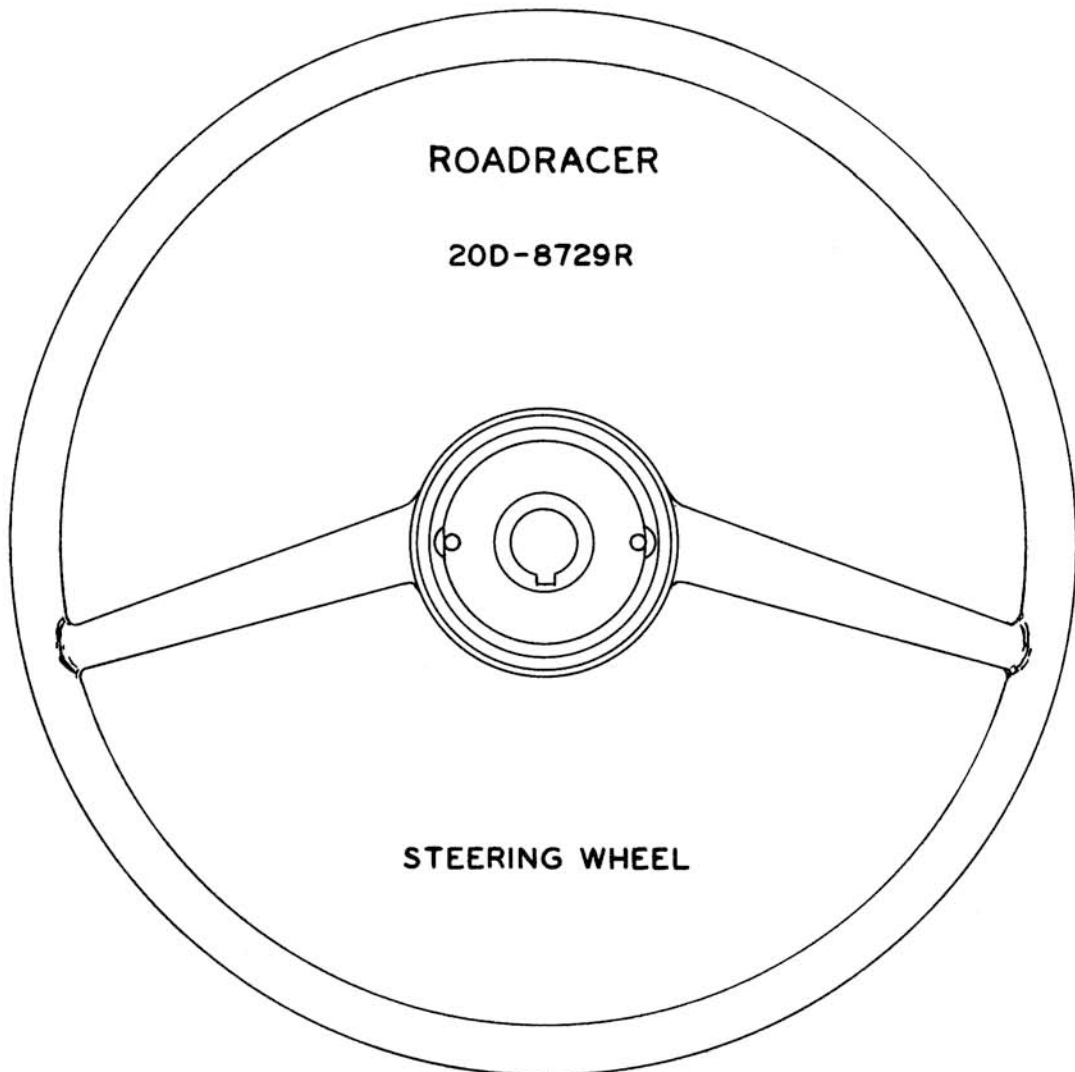
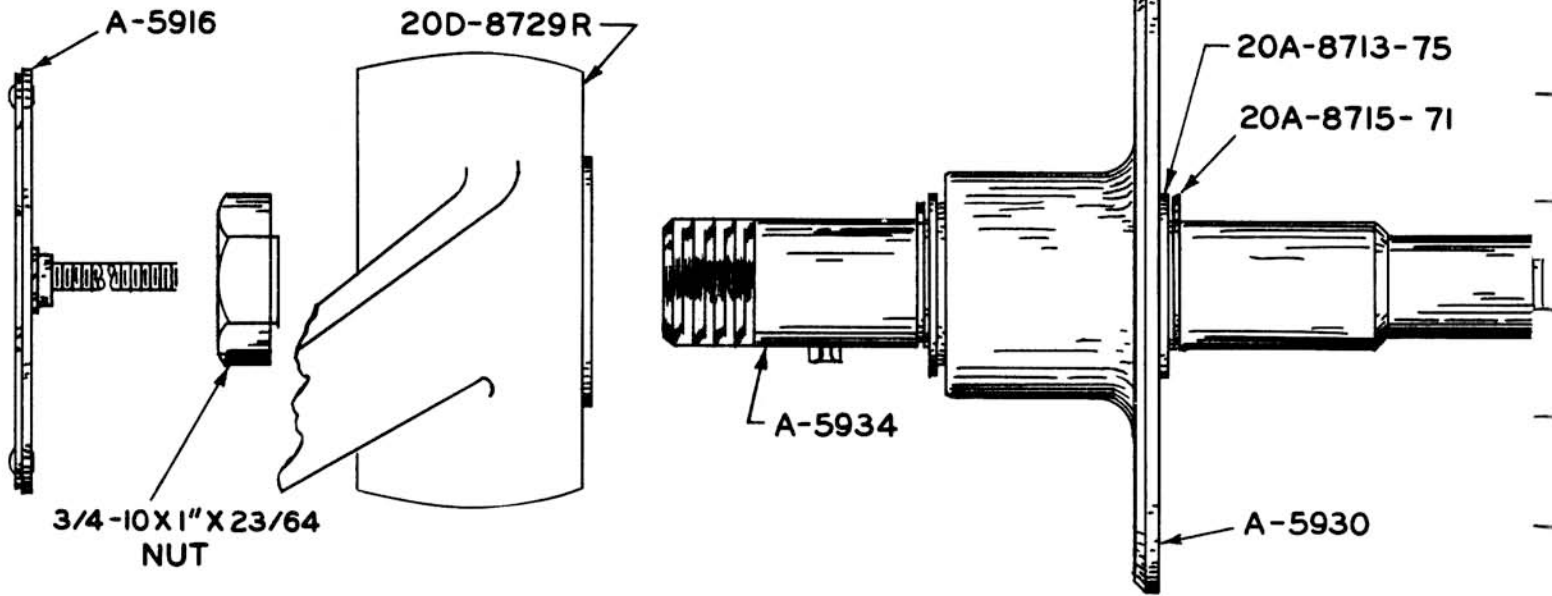
B-5496
COIN SLIDE ASSEMBLY
(COLD TYPE)



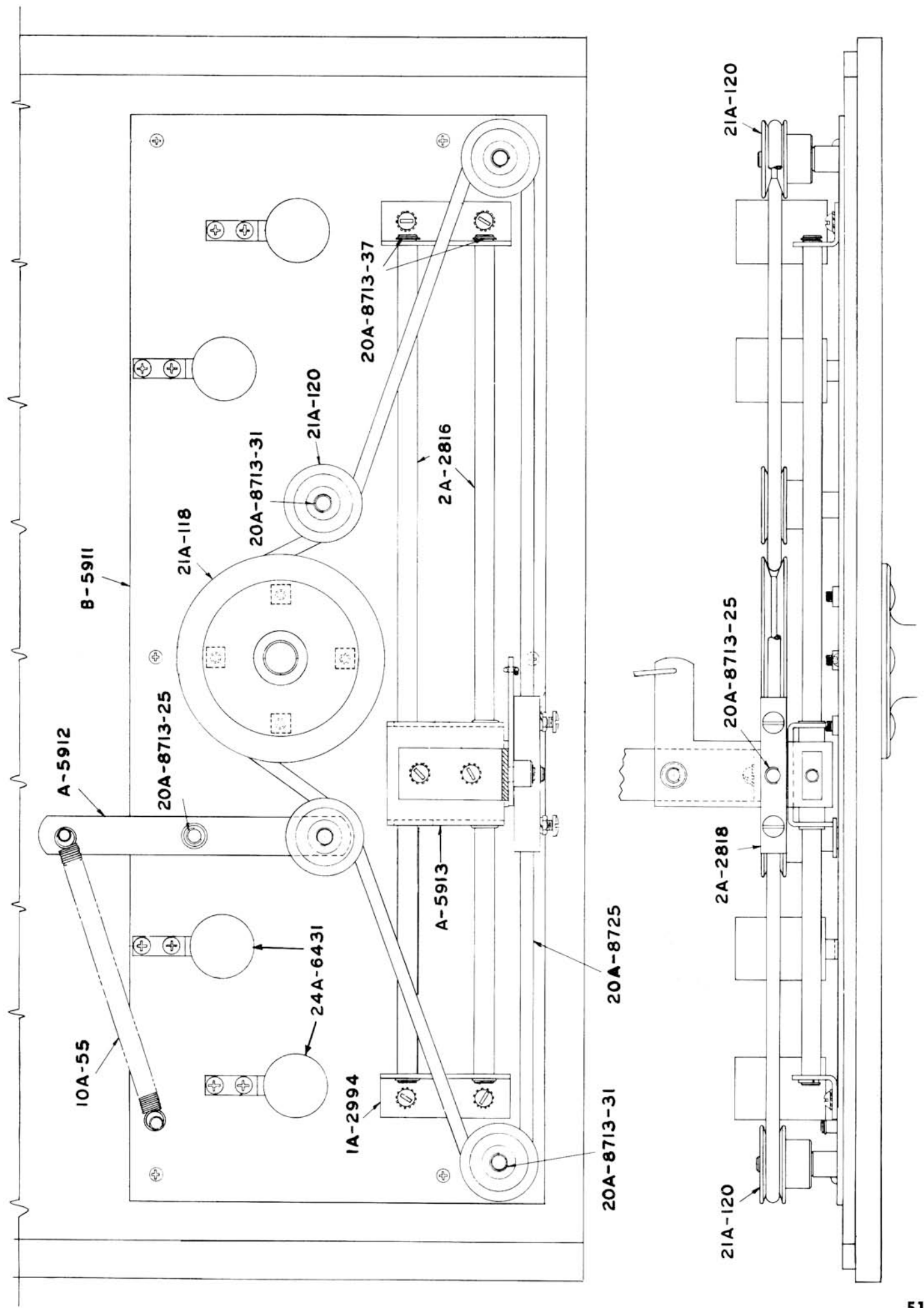
ROADRACER PARTS

B-5917

STEERING WHEEL ASSEMBLY

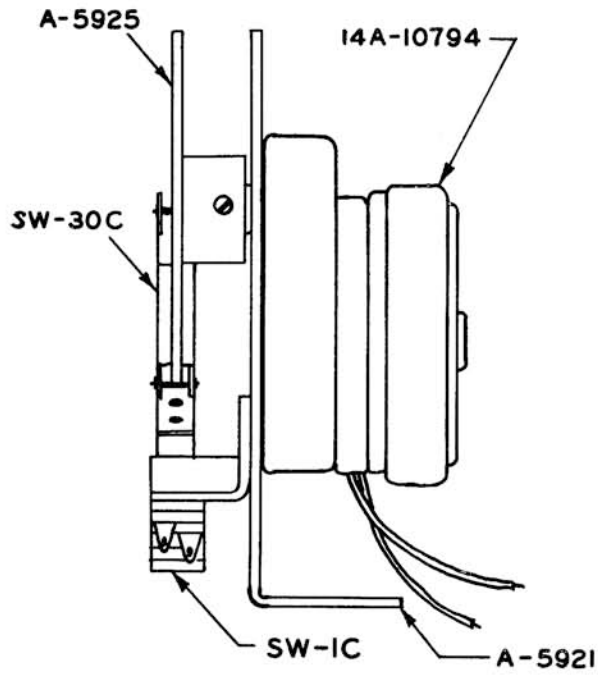


D-5935 STEERING MECHANISM (ROADRACER)

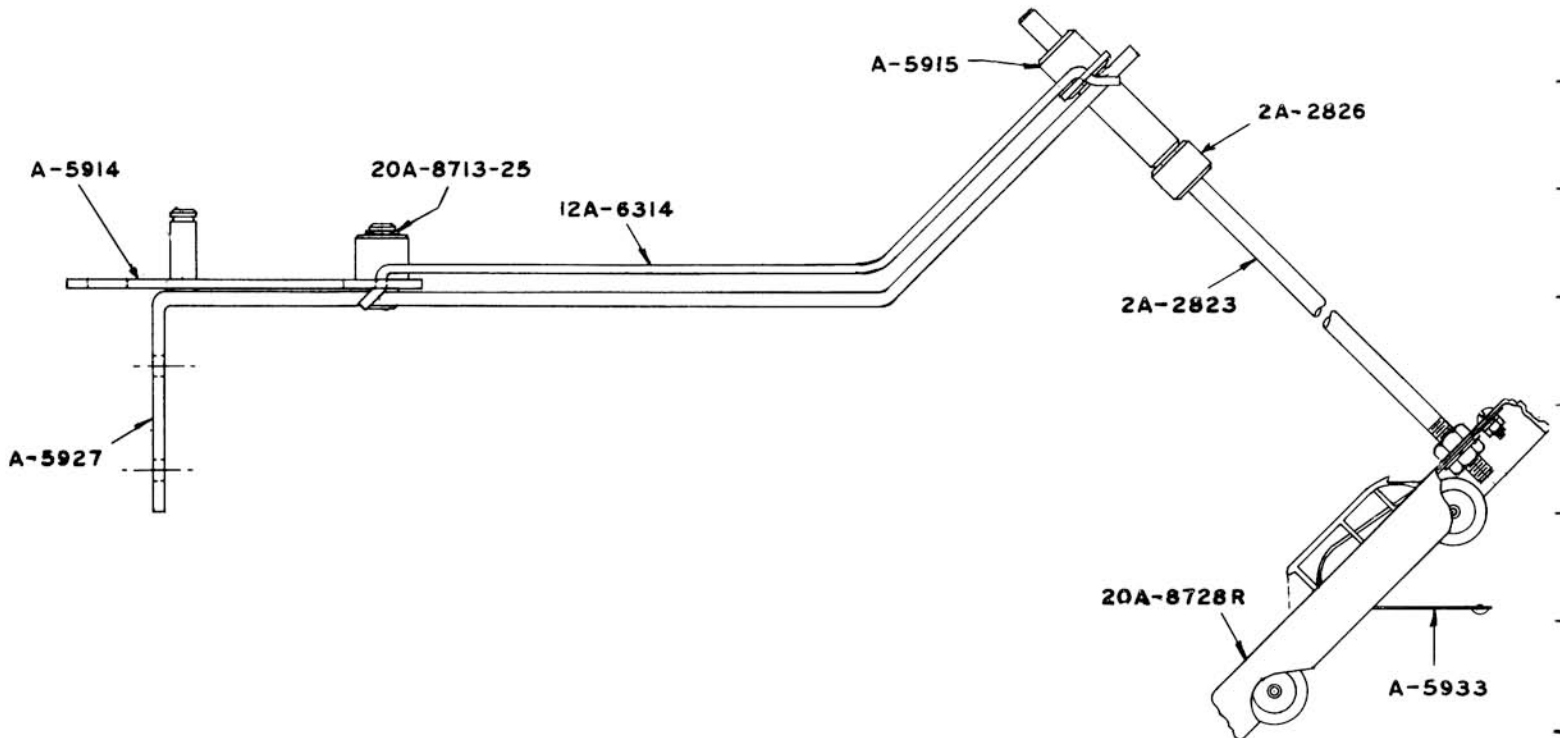


ROADRACER

TIMER MOTOR UNIT ASSEMBLY B-5943

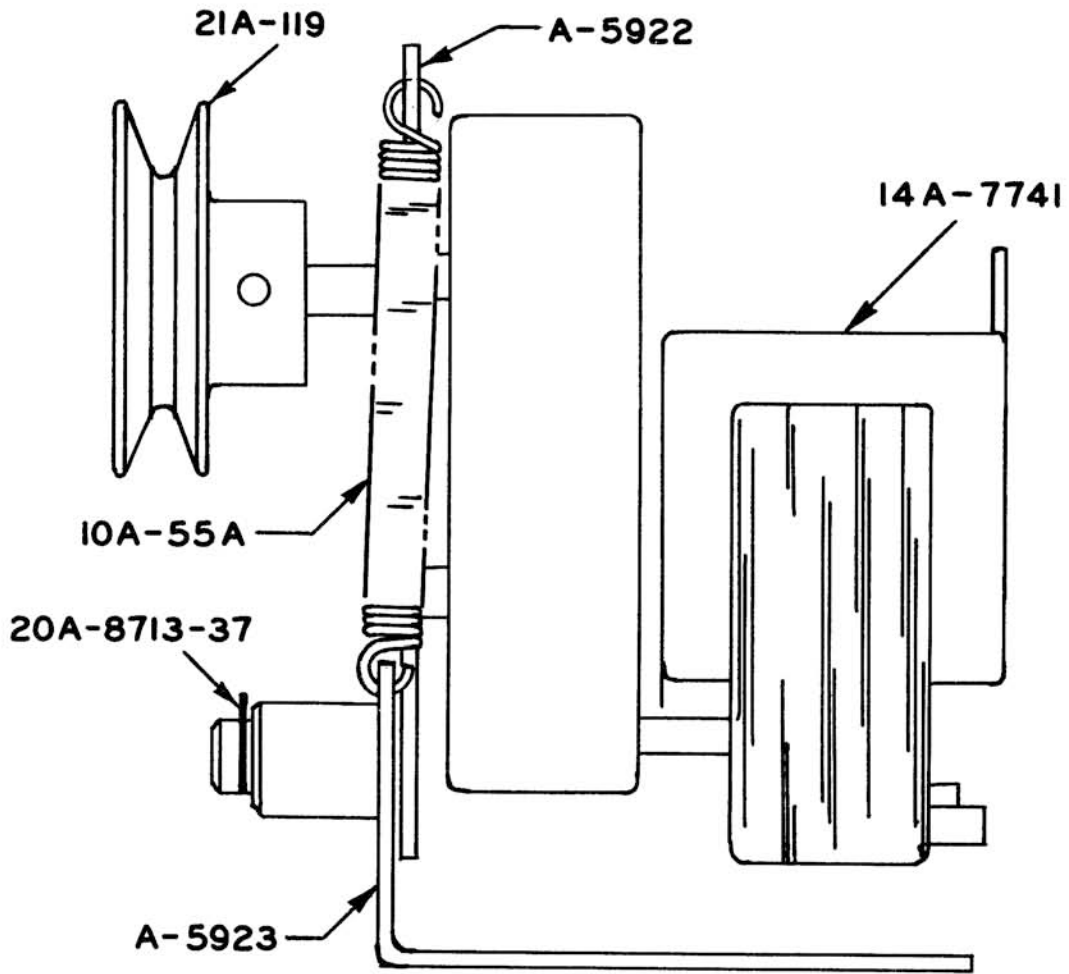


C-5936 CARRIAGE BRACKET ASSEMBLY

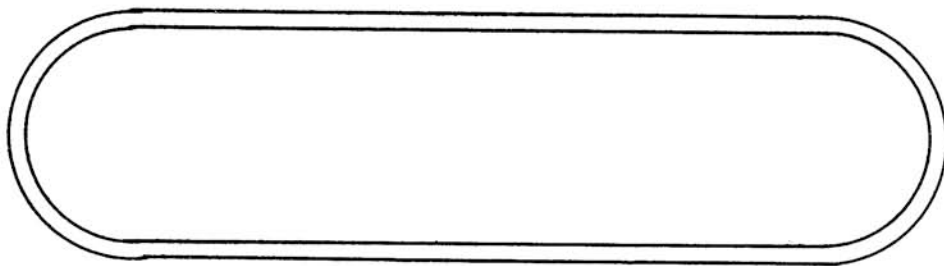


ROADRACER

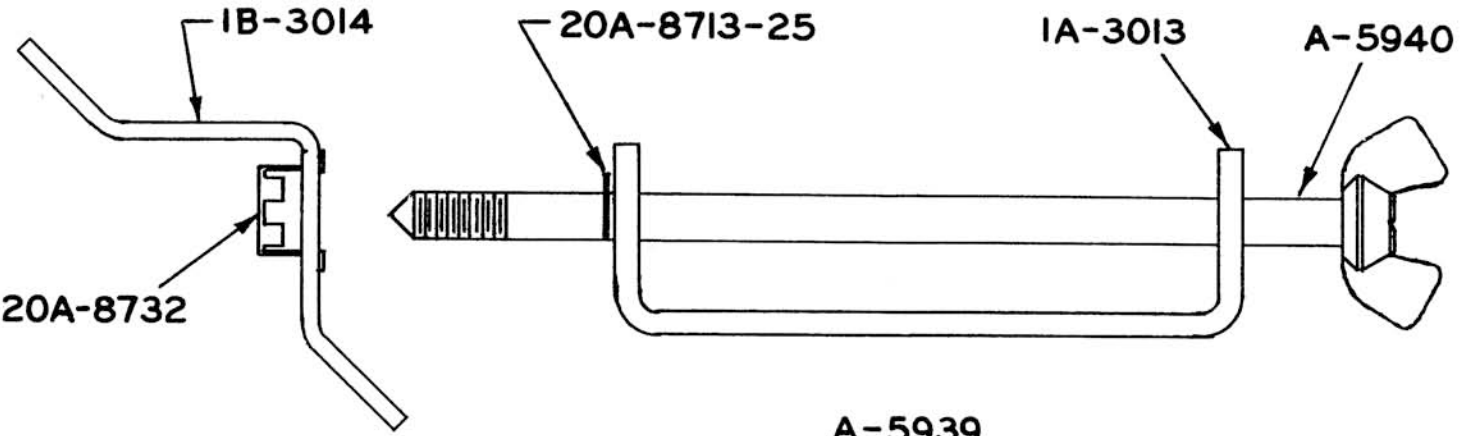
DRUM MOTOR UNIT ASSEMBLY B-5942



20A-8726
1/4 DIAMETER LEATHER BELT

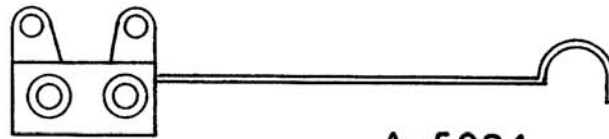


ROADRACER

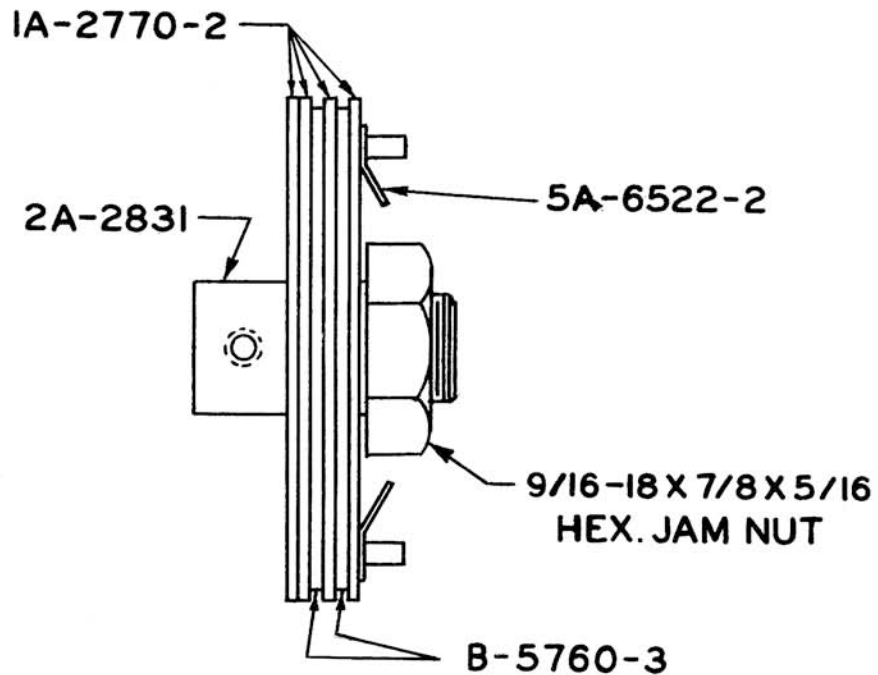


A-5941
THUMB SCREW
LATCH ASSEMBLY

A-5939
THUMB SCREW &
BRACKET ASSEMBLY

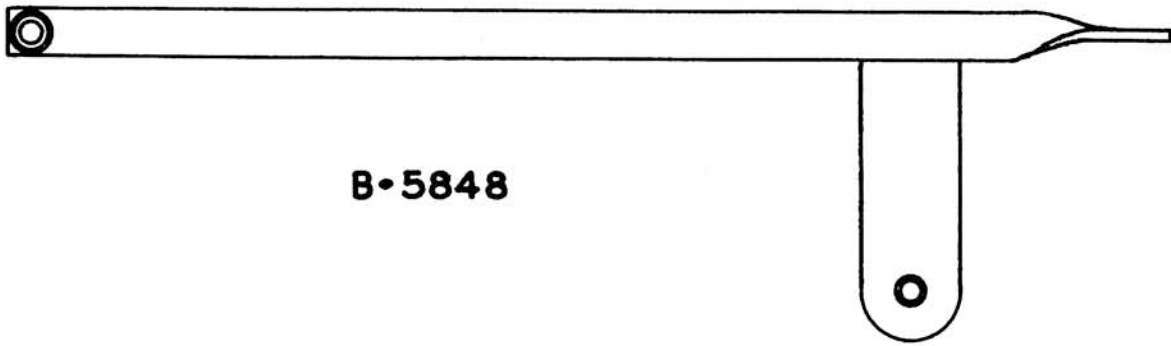


A-5924
COMMUTATOR BRUSH ASSEMBLY

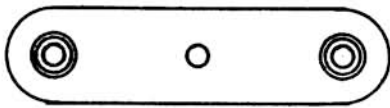


A-5920
COLLECTOR RING ASSEMBLY

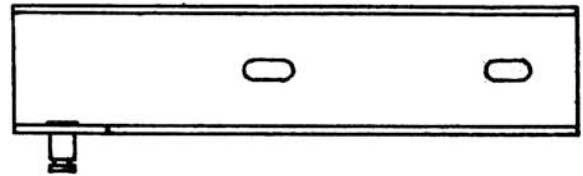
POOL TABLE



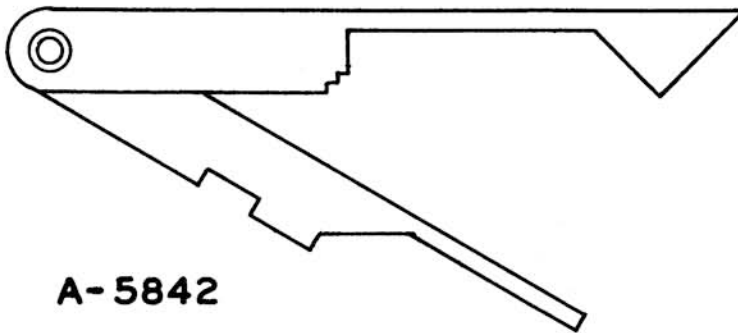
B-5848



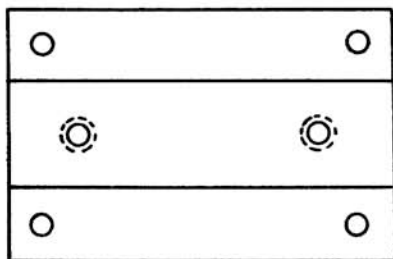
A-5843



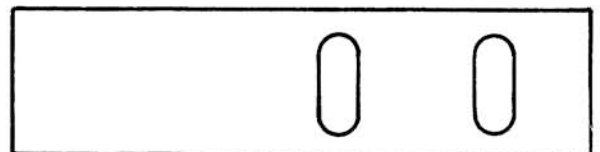
A-5853



A-5842

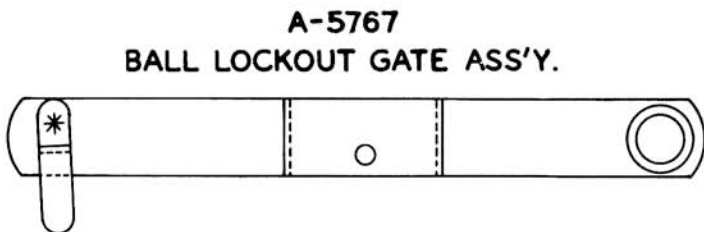
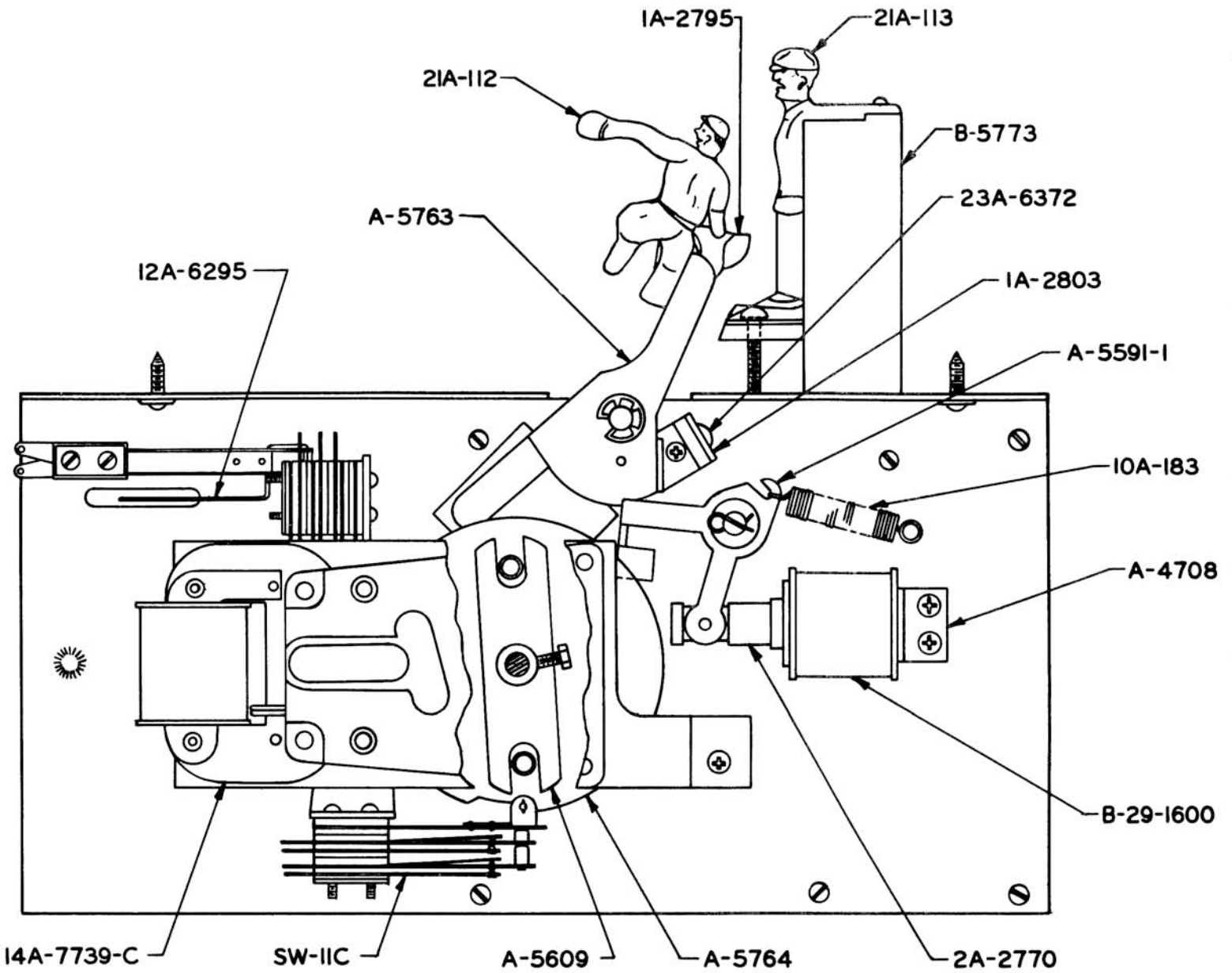


1A-2898

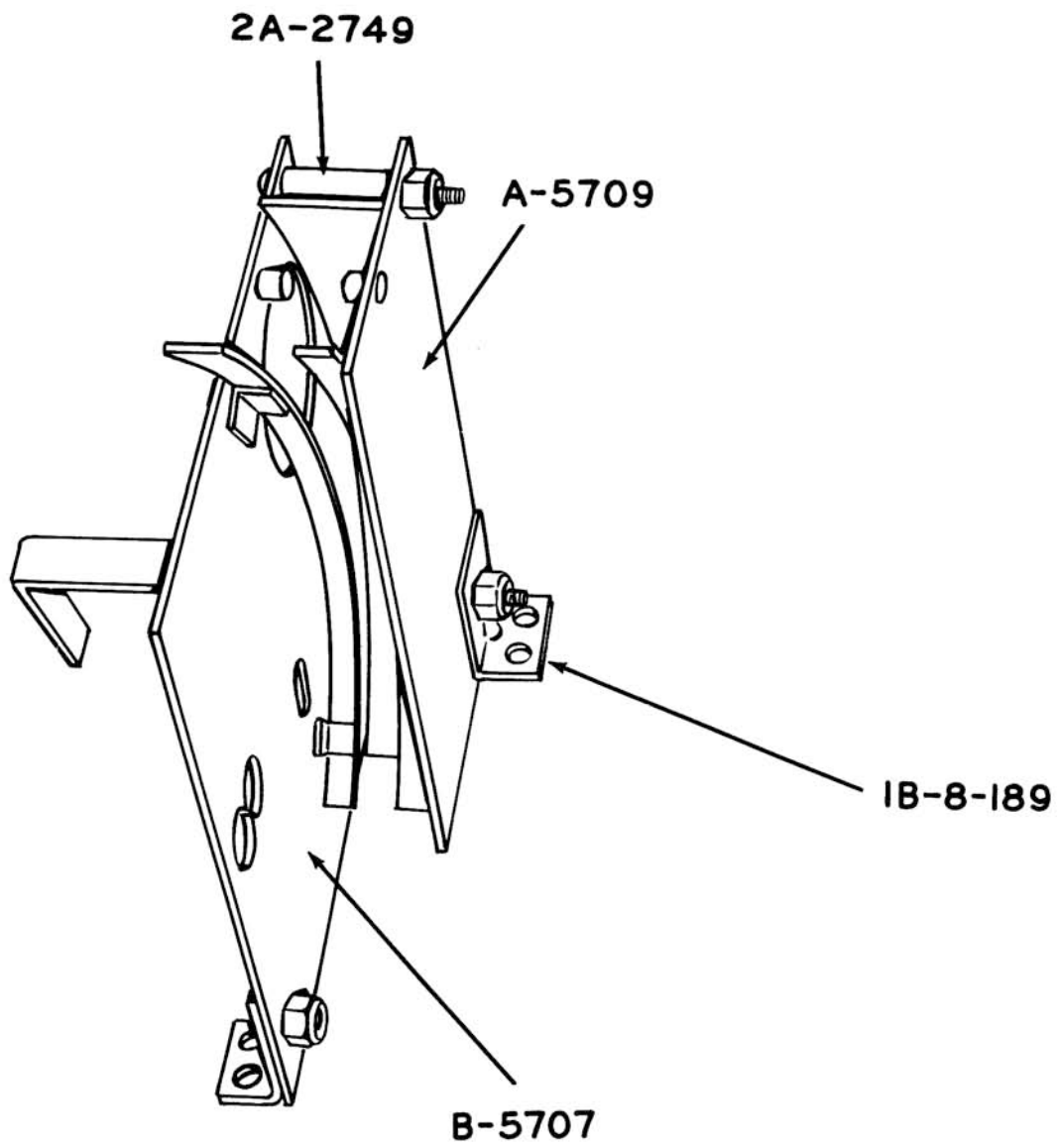


1A-2914

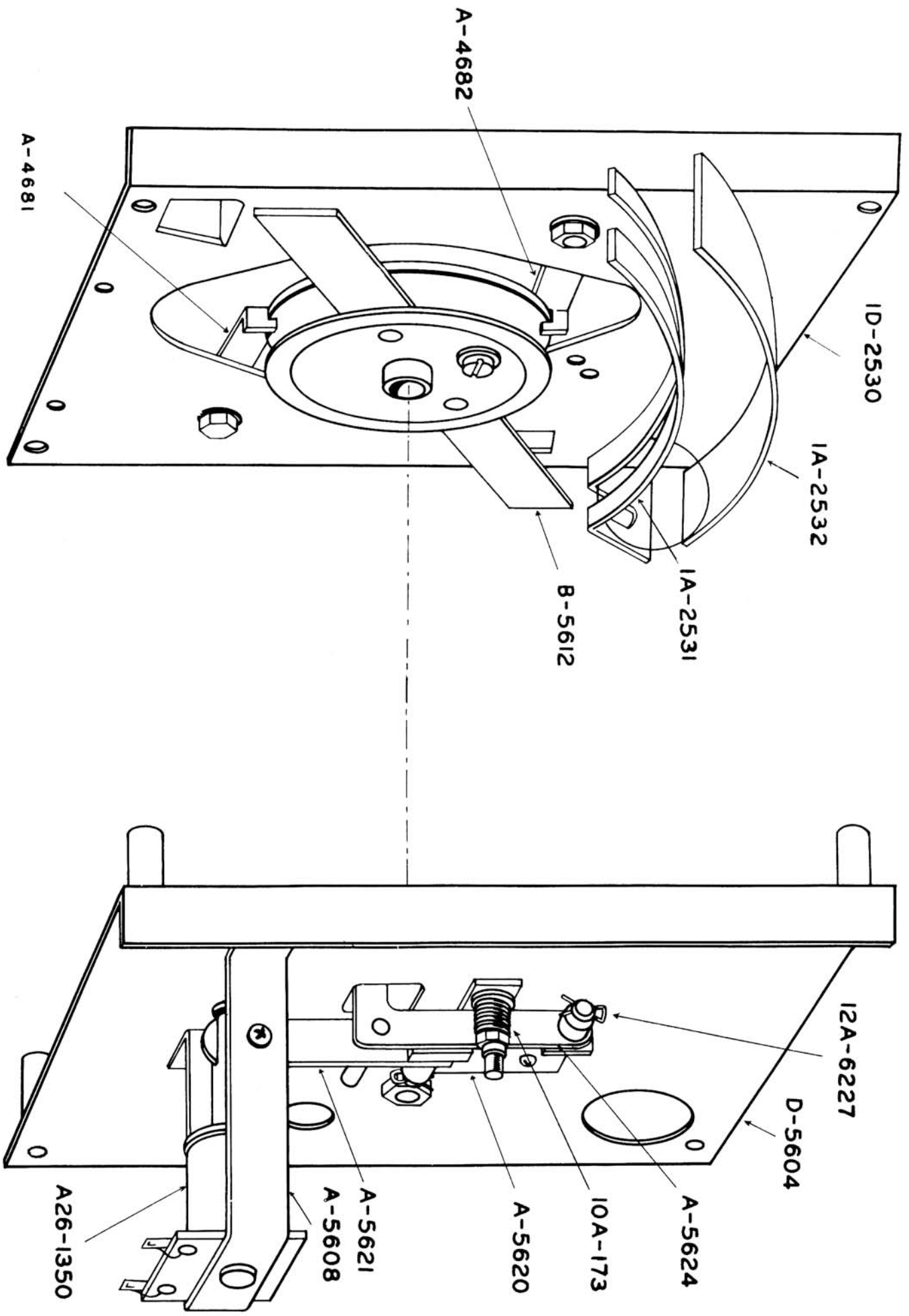
PITCHER UNIT ASSEMBLY (OFFICIAL BASEBALL)



C-4775
BALL TRACK ASSEMBLY

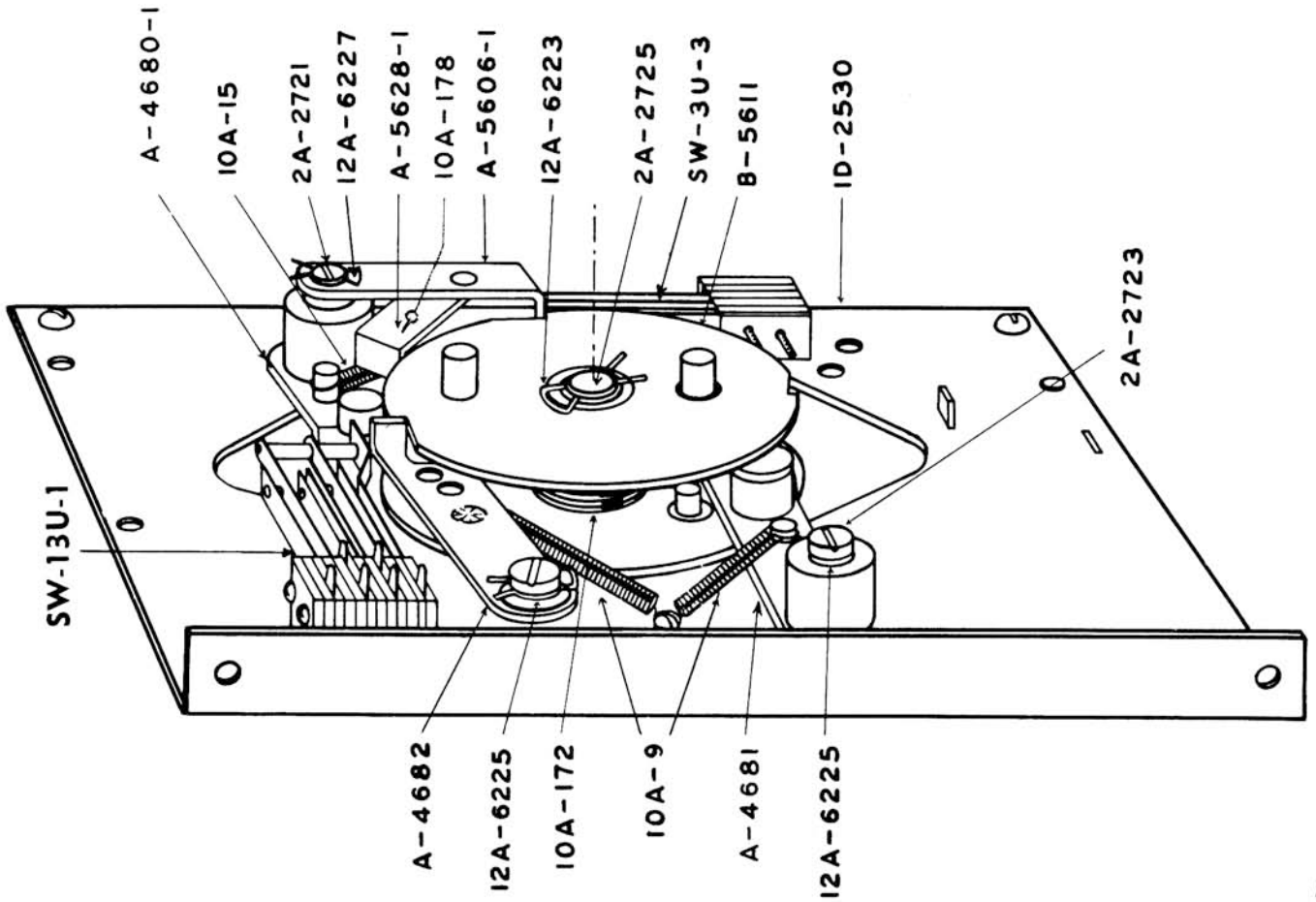
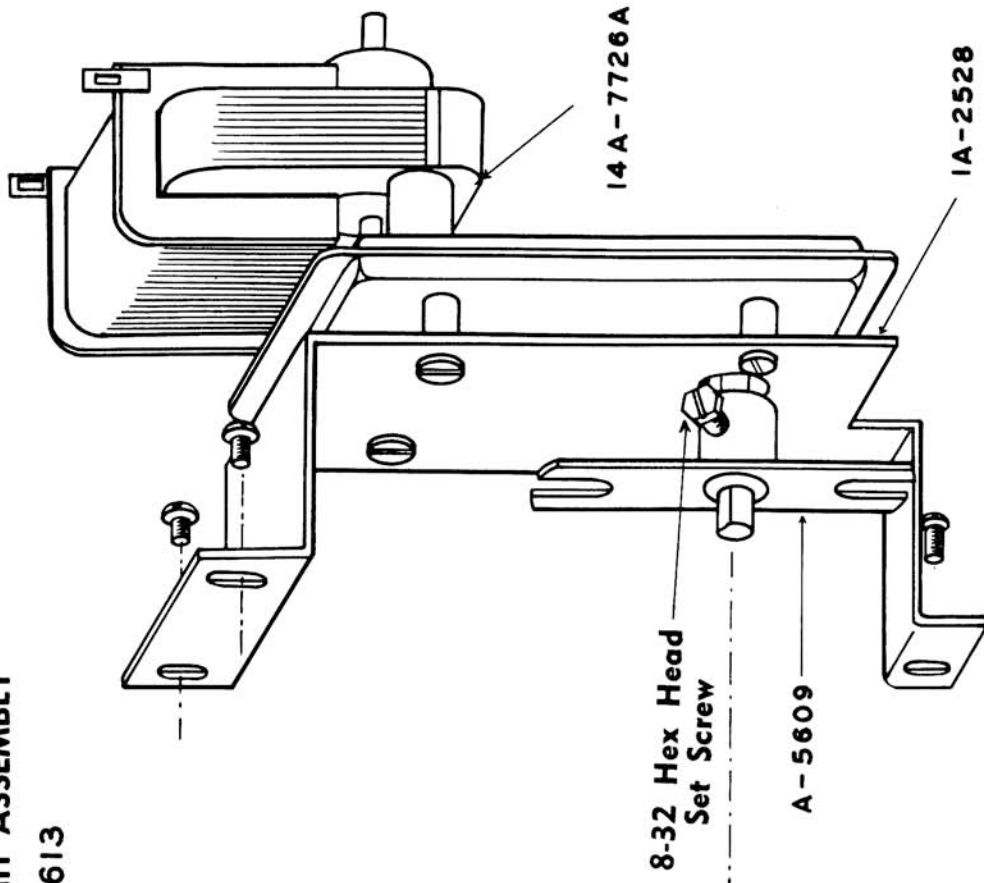


E-5613
PITCHER UNIT ASSEMBLY



PITCHER UNIT ASSEMBLY

E-5613

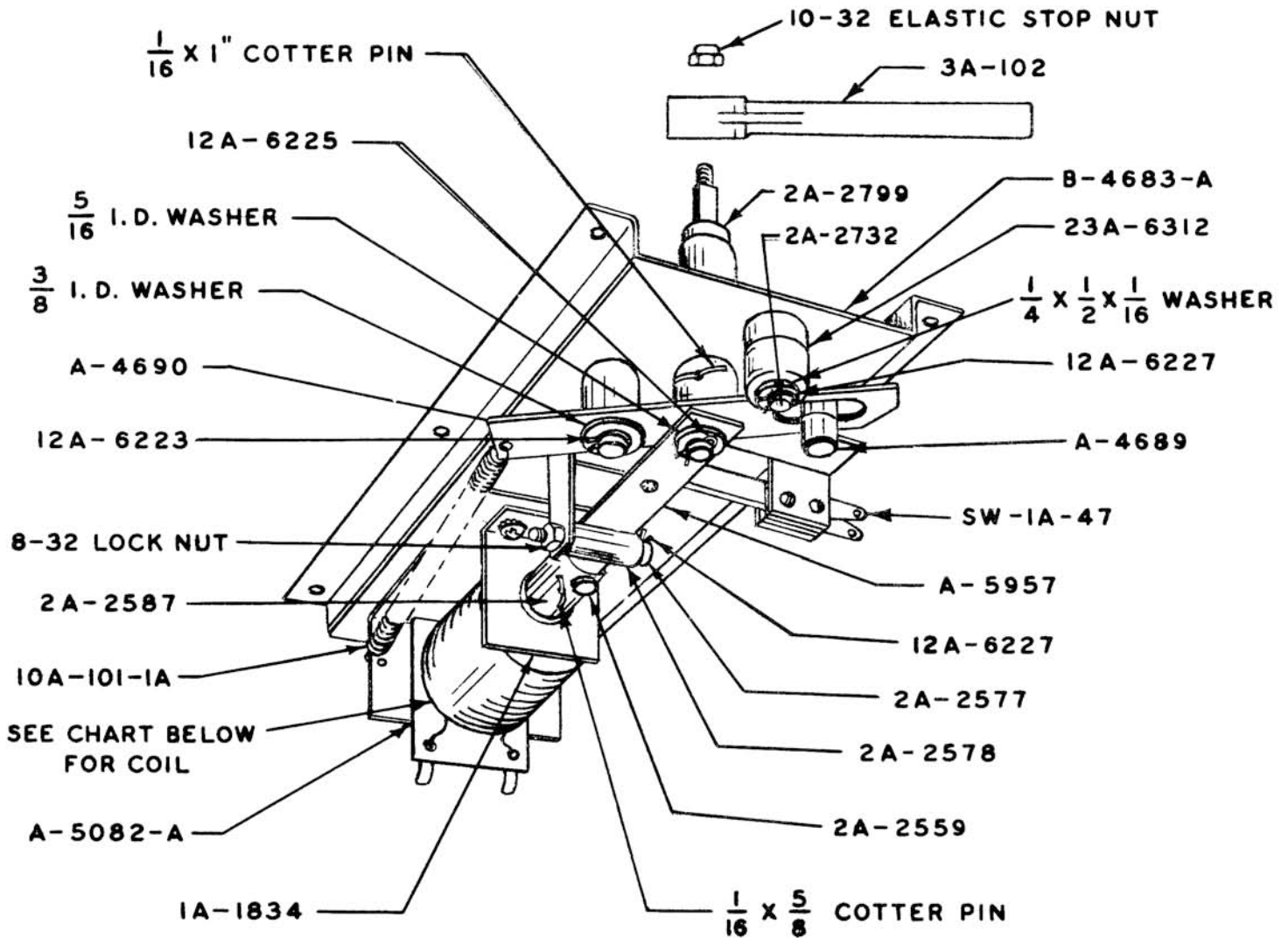


PITCHER MOTORS

1957 BASEBALL	—	14A-7704
SHORT-STOP	—	14A-7726
PINCH HITTER	—	14A-7726
OFFICIAL BASEBALL	—	14A-7739C
BATTING CHAMP	—	14A-7726
EXTRA INNING	—	14A-7744
1962 WORLD SERIES	—	14A-7744

BATTER UNIT ASSEMBLY

C-5161-2 --- USED ON OFFICIAL BASEBALL
 C-5161-3 --- USED ON BATTING CHAMP
 C-5161-4 --- USED ON EXTRA INNING
 & 1962 WORLD SERIES

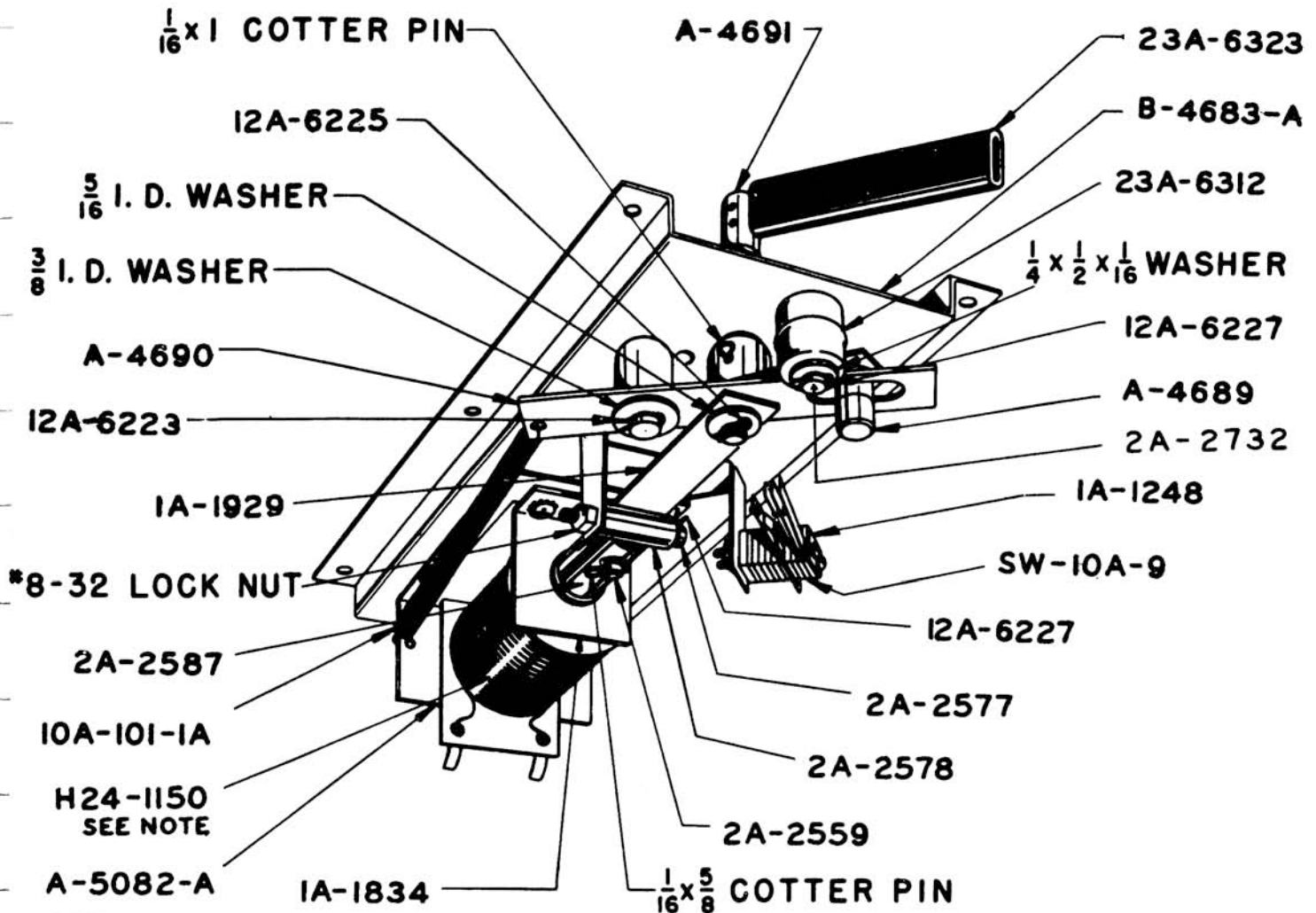


BAT COIL

OFFICIAL BASEBALL	USE --	H-22-700
BATTING CHAMP	USE --	H-24-1150
EXTRA INNING	USE --	H-23-870
1962 WORLD SERIES	USE --	H-23-870

BATTER UNIT ASSEMBLY

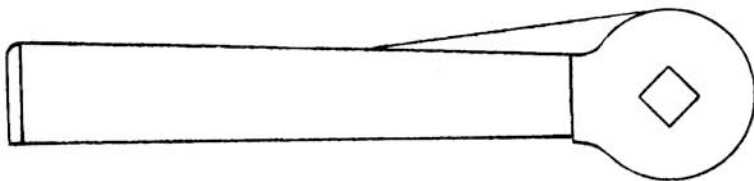
C-5161 ----- USED ON 1957 BASEBALL
C-5161-1 ----- USED ON PINCH HITTER



NOTE:

ON OFFICIAL BASEBALL
 USE COIL H-22-700

**PLASTIC BAT
 3A-102**

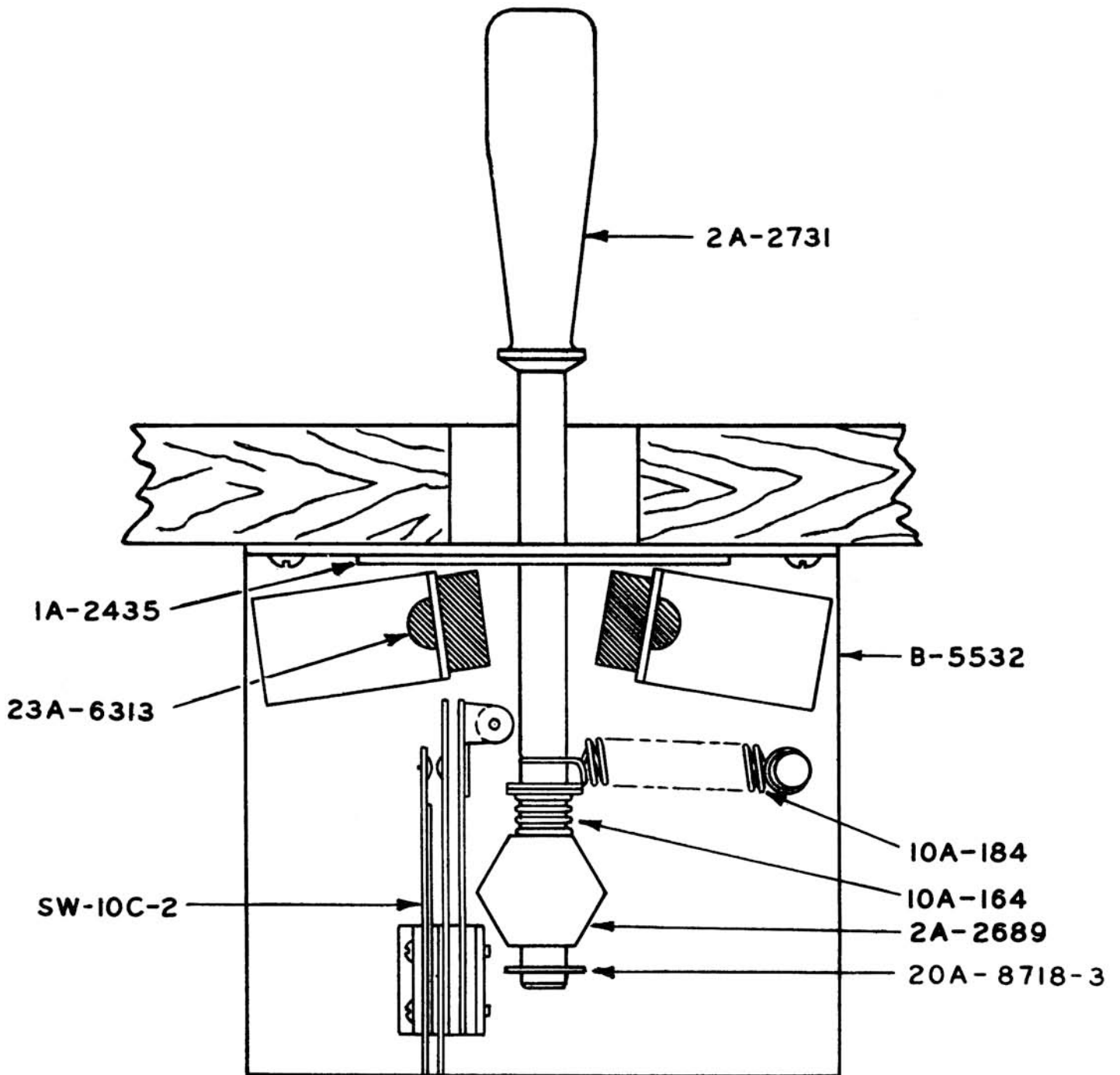


USE ON OFFICIAL BASEBALL
 BATTING CHAMP, EXTRA INNING
 & 1962 WORLD SERIES

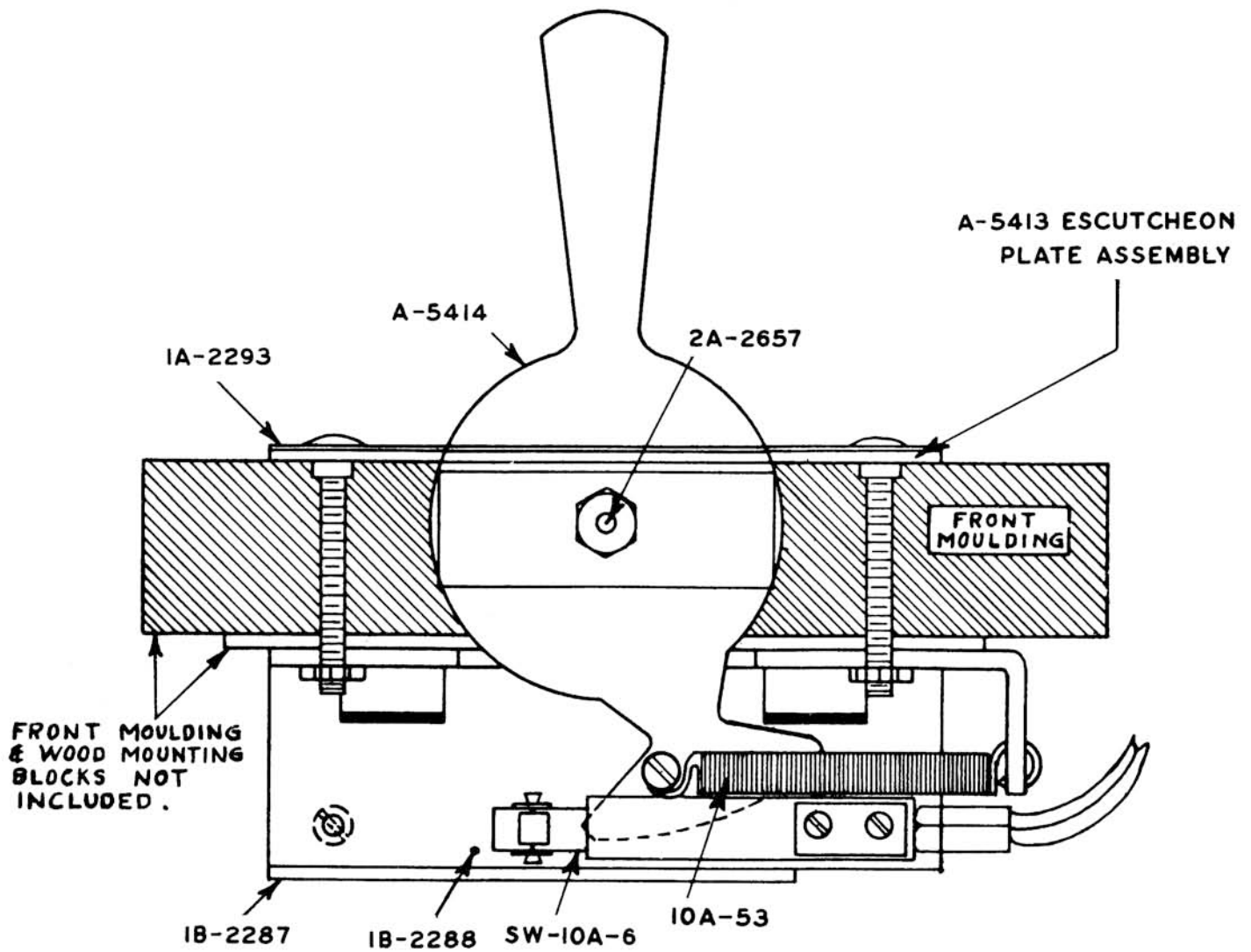
IMPORTANT

ITEM A-4691 USED ON
 1957 BASEBALL & PINCH HITTER.
 REPLACED BY SHAFT 2A-2799 &
 3A-102 ON OFFICIAL BASEBALL,
 BATTING CHAMP, EXTRA INNING
 & 1962 WORLD SERIES.

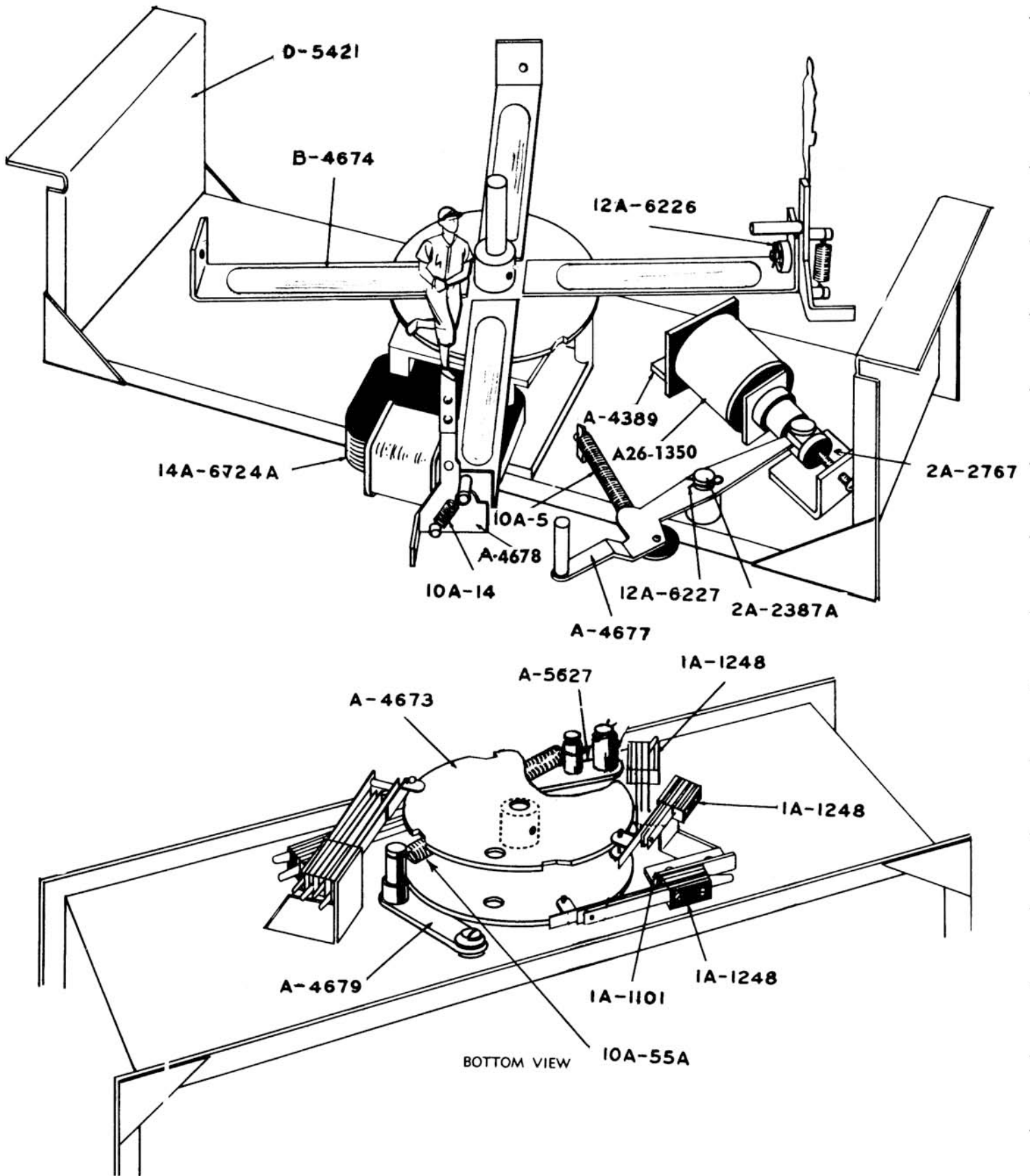
B-5625 BAT HANDLE LEVER ASSEMBLY

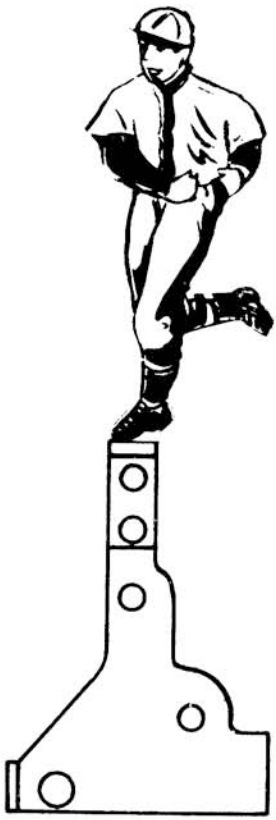


D-5431
BAT HANDLE ASSEMBLY (COMPLETE) 1957 BASEBALL



E-5420 MAN RUNNING UNIT ASSEMBLY





A-4678
BASE RUNNER ASS'Y.



A-4779
CATCHER



A-4779-A
UMPIRE



A-4779-B
BATTER



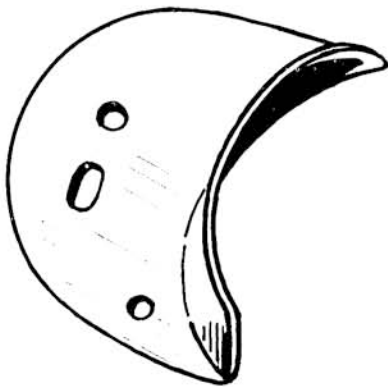
A-4779-C
PITCHER



A-4779-D
FIRST BASEMAN



A-4779-E
SECOND BASEMAN



1A-2768
BASEBALL HOLE DEFLECTOR

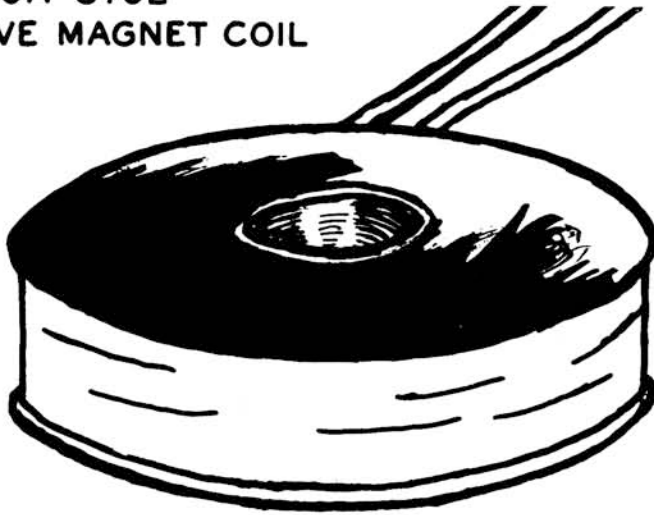


A-4779-F
SHORT STOP

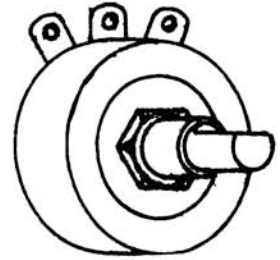


A-4779-G
THIRD BASEMAN

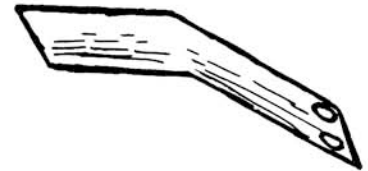
20A-8702
CURVE MAGNET COIL



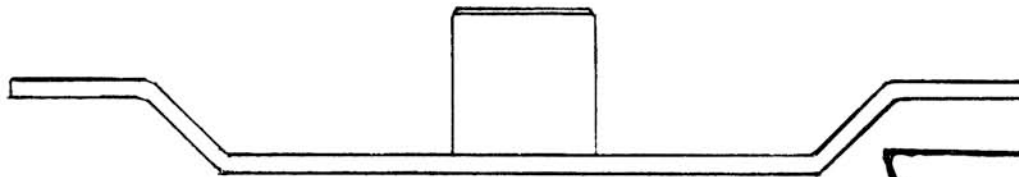
20A-8652 OR 20A-8664
RHEOSTAT



10A-63A
BALL GUIDE SPRING



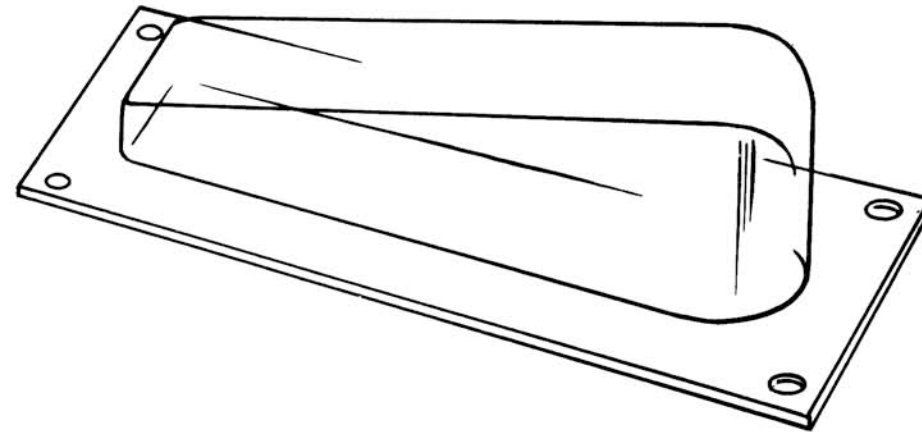
A-5718
CURVE MAGNET COIL BRACKET



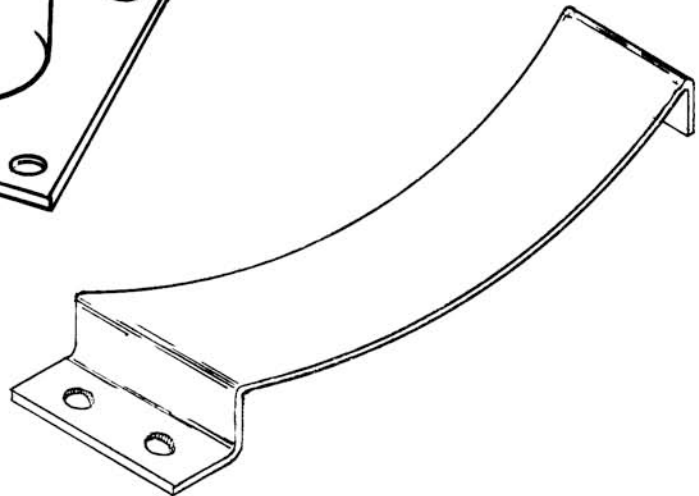
10A-63
BALL GUIDE SPRING



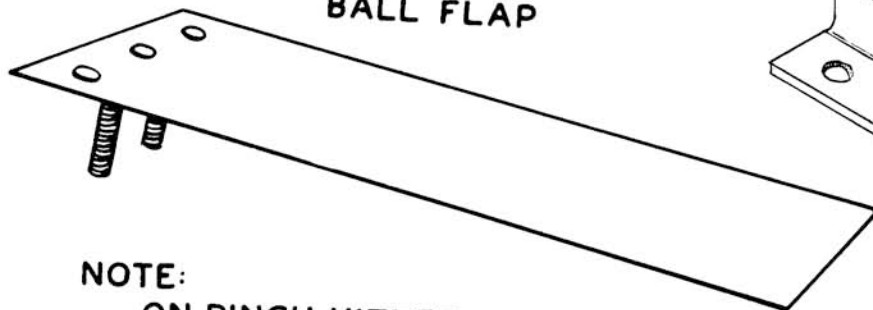
3B-7062
PLASTIC BALL RAMP



20B-8689-1
METAL BALL RAMP

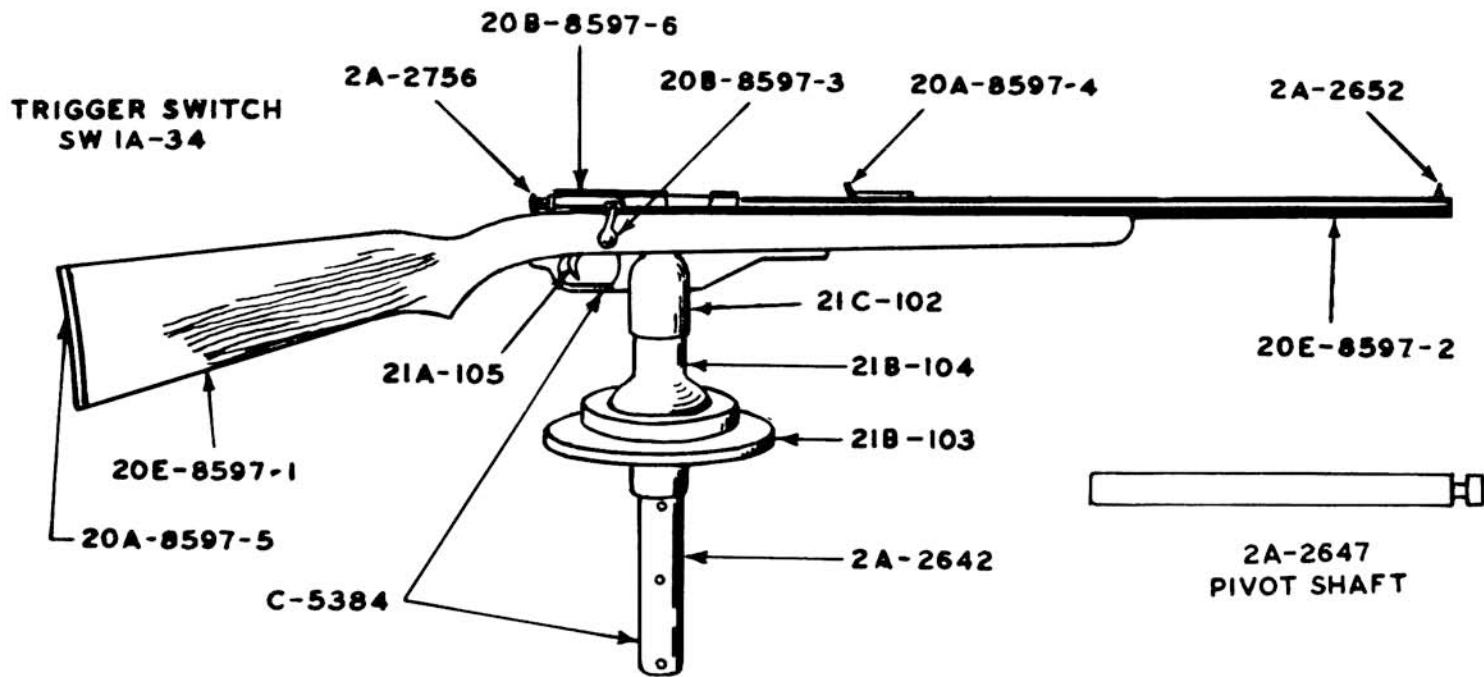


A-5703
BALL FLAP

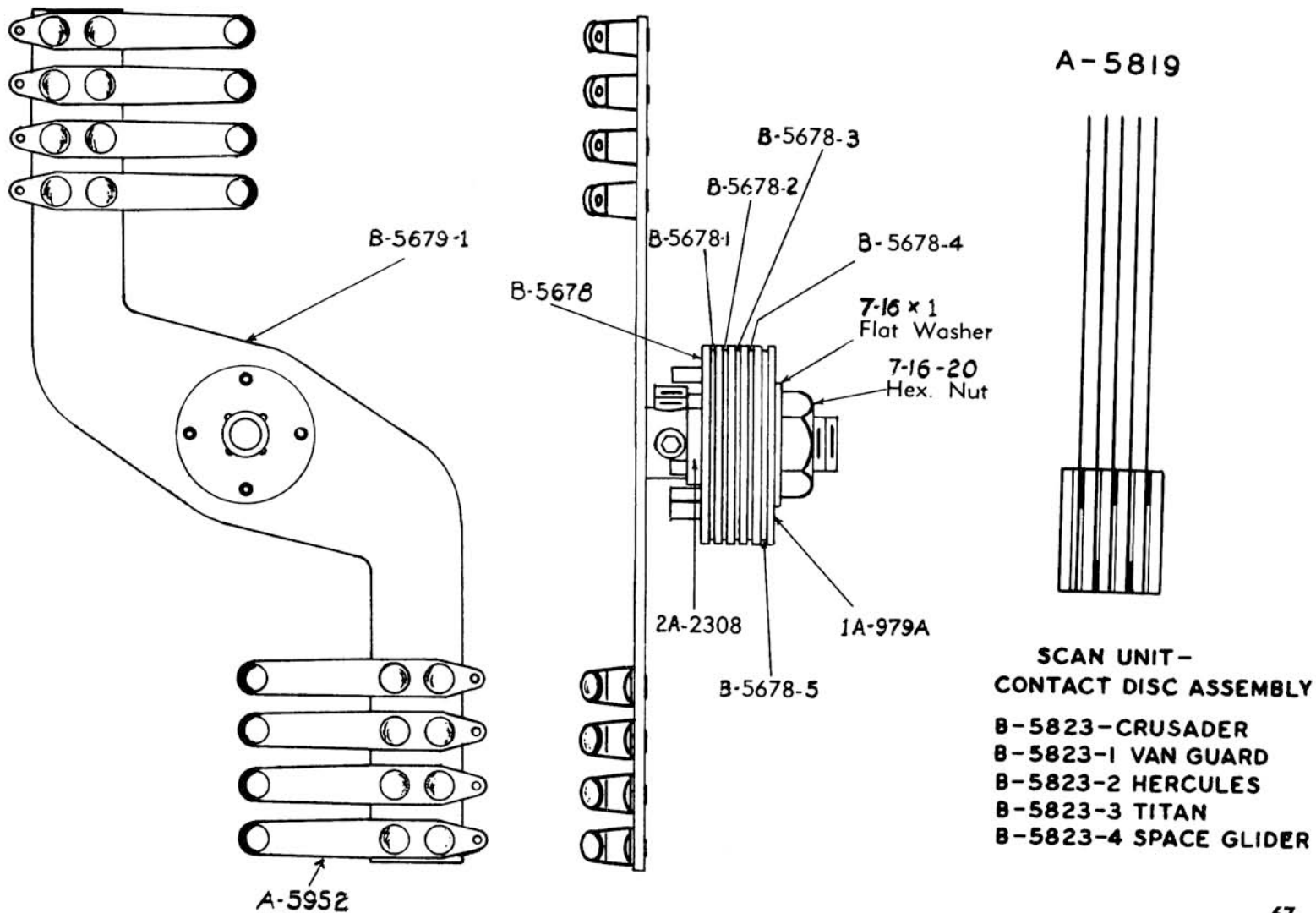


NOTE:
ON PINCH HITTER USE
BALL FLAP NO. A-5723

20E-8597 RIFLE ASSEMBLY

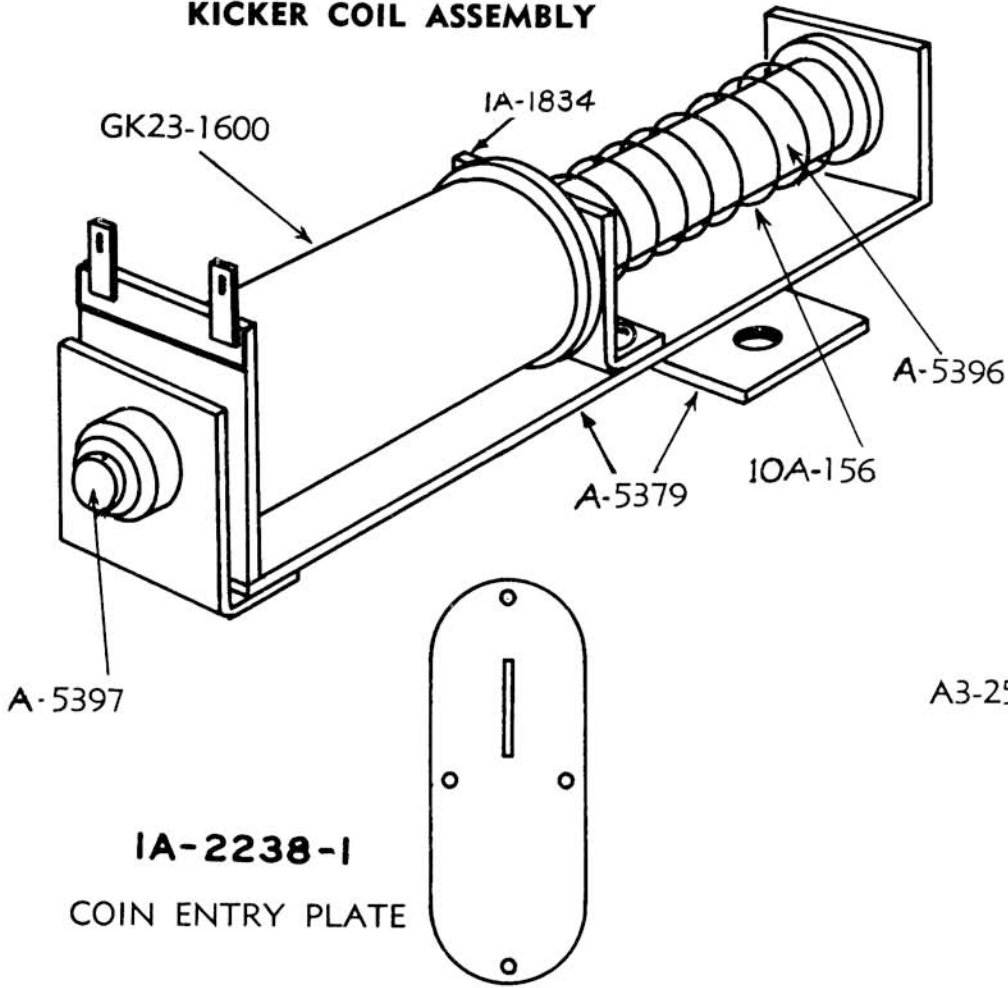


C-5679 SCANNING WIPER & COLLECTOR ASSEMBLY



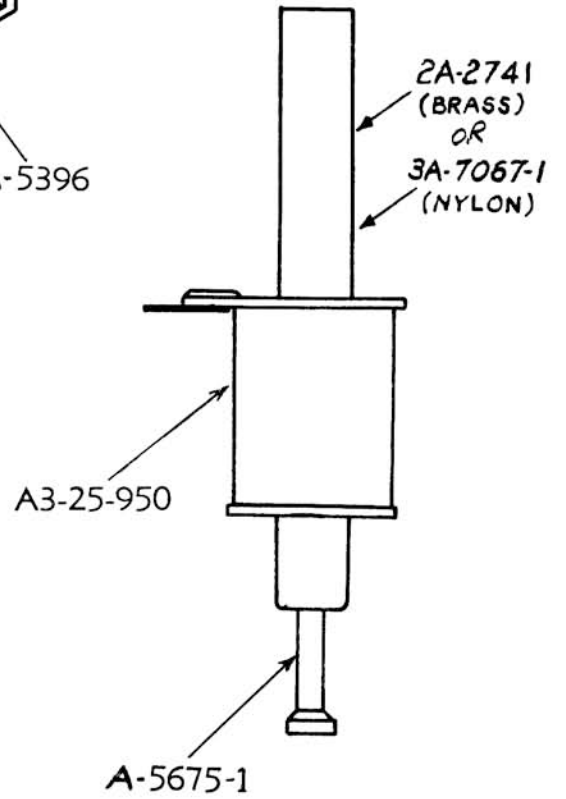
A-5727

KICKER COIL ASSEMBLY



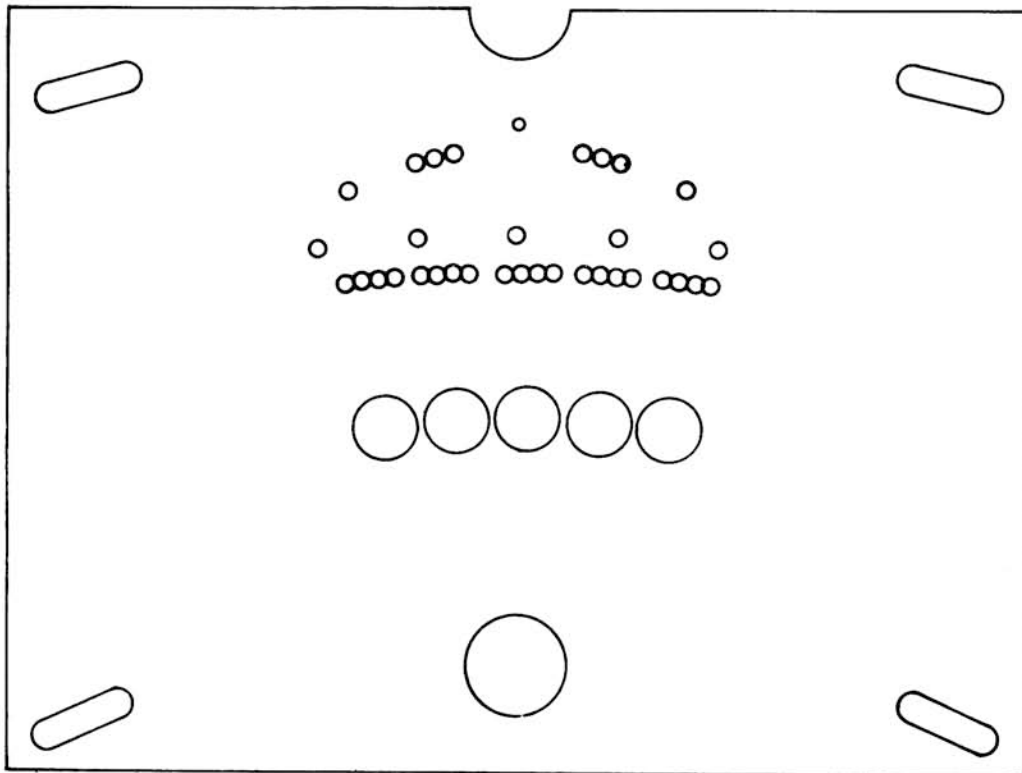
A-5675

BALL KICKER

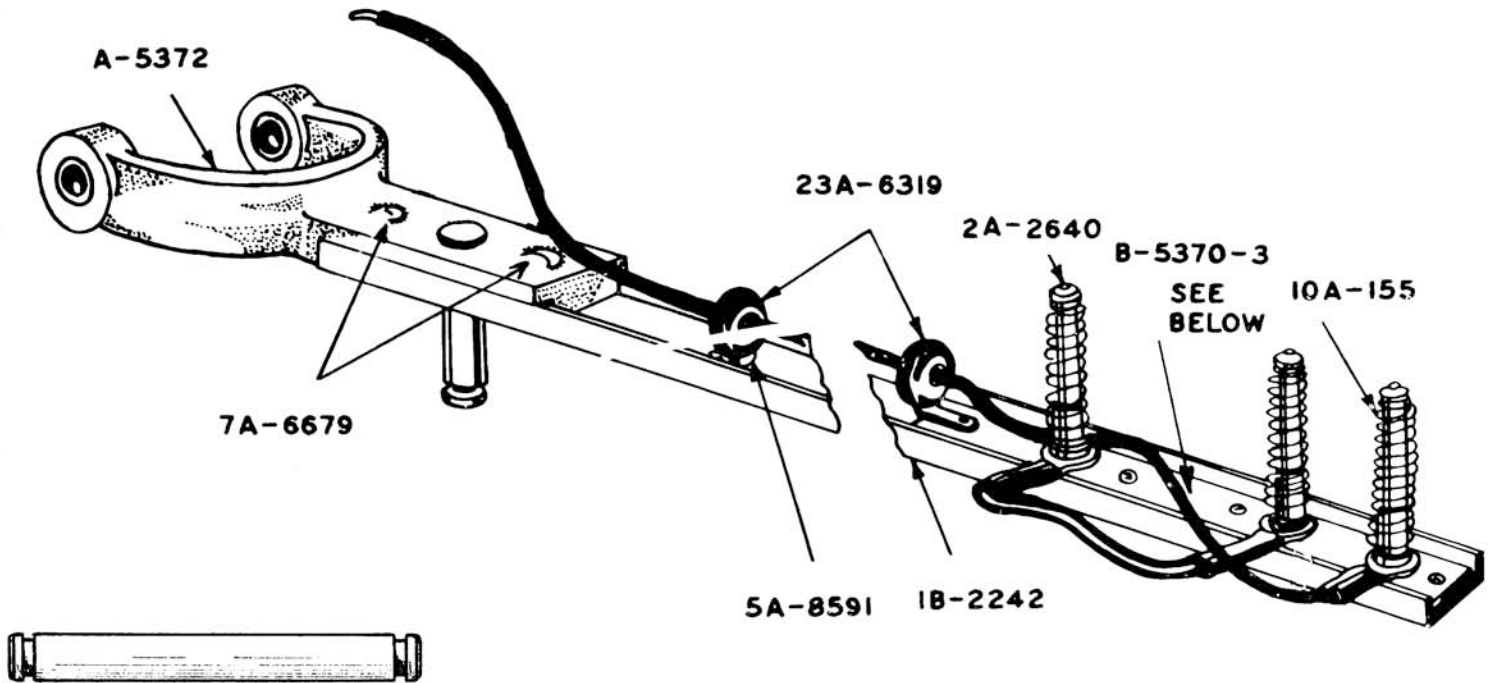


C-4886 CONTACT PLATE DISC ASSEMBLY

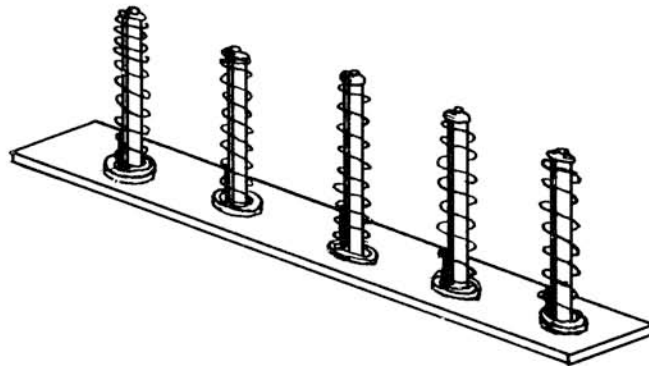
SPECIFY GAME



B-5371 YOKE & CHANNEL ASSEMBLY
 (SPECIFY NAME OF GUN GAME)



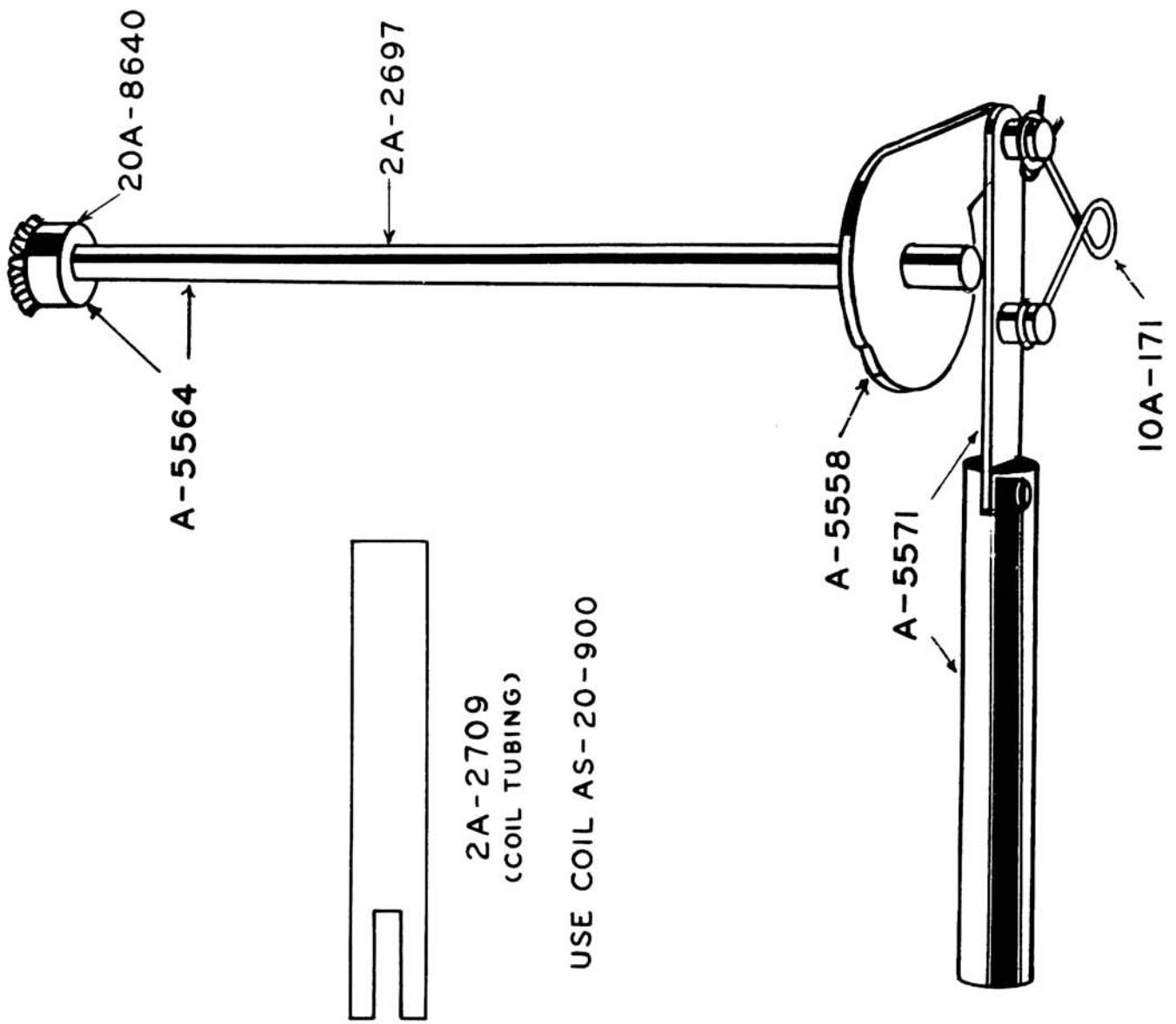
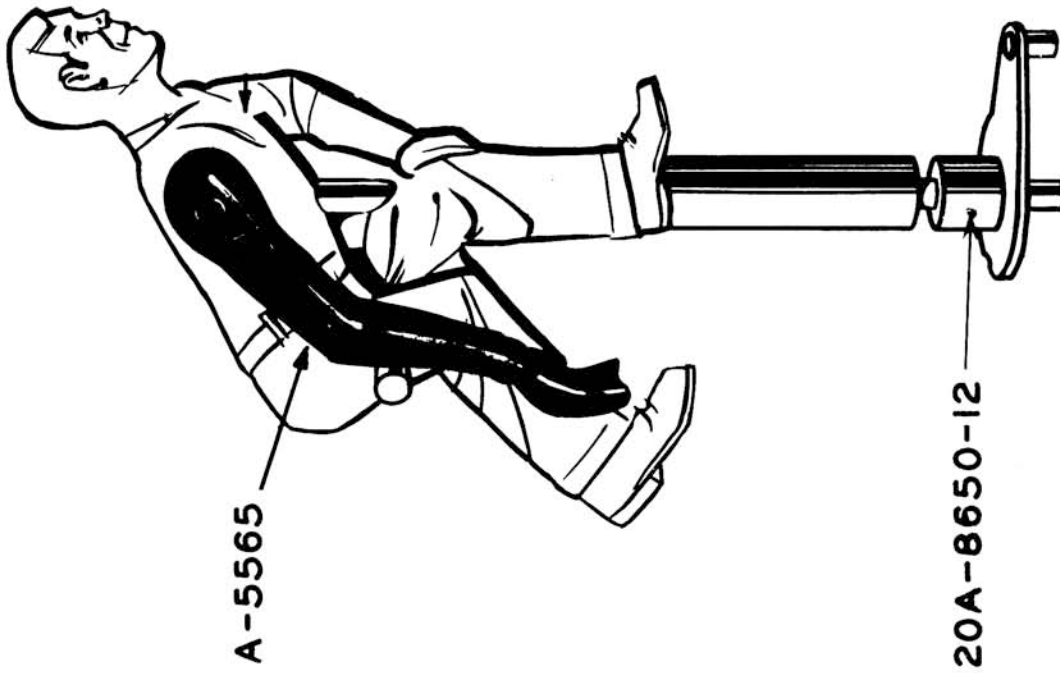
2A-2640
 YOKE HINGE PIN

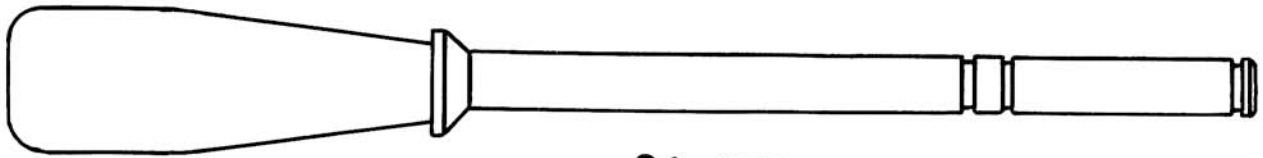


B-5370-5
BUSHING & LUG ASSEMBLY
 (SPECIFY GAME)

NOTE :

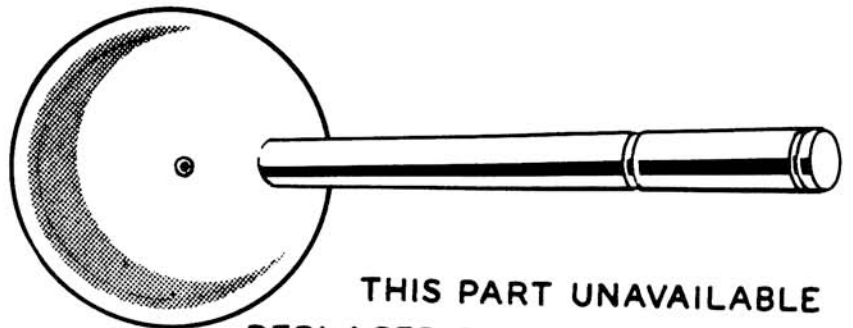
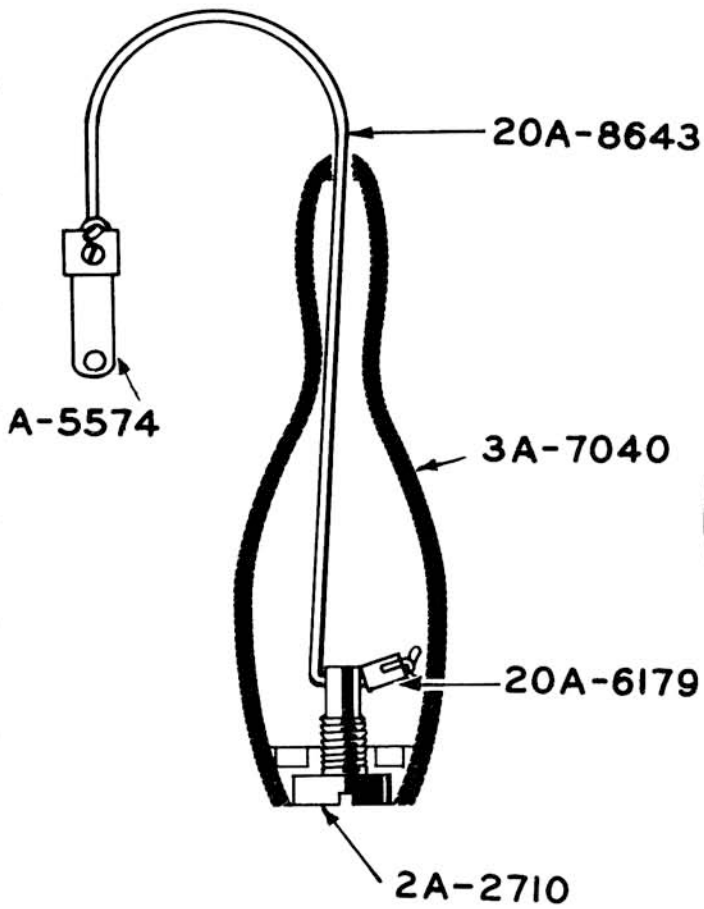
- | | | |
|----------|---------|---|
| B-5370-1 | USED ON | } SPACE GLIDER
-VANGUARD, HERCULES, CRUSADER & TITAN |
| B-5370-2 | USED ON | |
| B-5370-3 | USED ON | -SAFARI |
| B-5370-5 | USED ON | -POLAR HUNT |



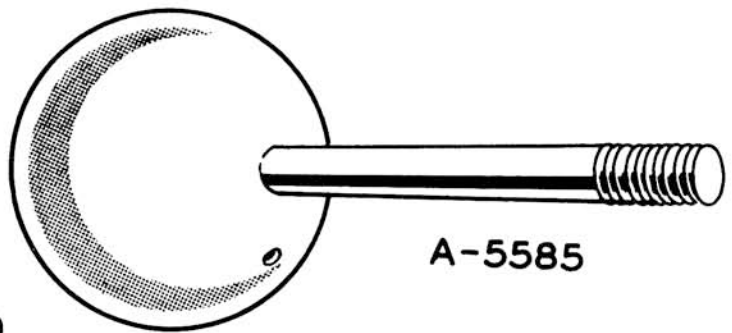


2A-2731

A-5725
PIN ASSEMBLY
(Complete)

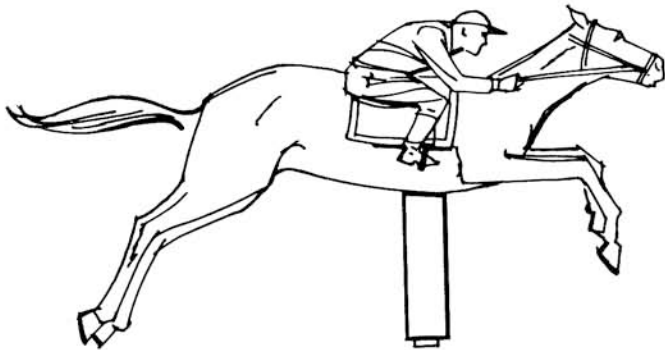


THIS PART UNAVAILABLE
REPLACED BY PART NO. 2A-2731
(SHOWN ABOVE)

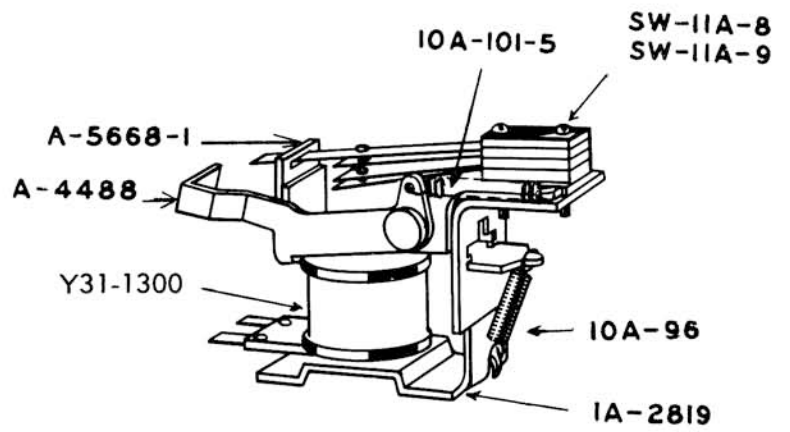


A-5585

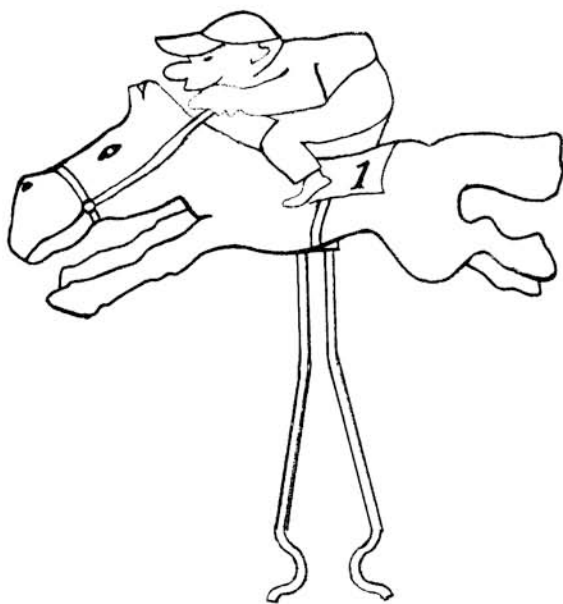
**20A-8673
(TURF CHAMP)**



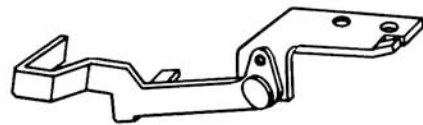
**BRAKE RELAY
ASSEMBLY
A-5671A & A-5671B**



**A-5783
(ALL OTHER HORSE GAMES)**



A-4488



	UNITS				RELAY BANK		FLIPPER LINKS		SHIELD	
	Name	Contact Disc	Wiper Carrier	Gear & Shaft	Reset Coil	Reset Spring	Dimensions Are To Hole Centers		Plastic	Metal
TEN SPOT	REPLAY NO. MATCH SELECTION 0-9 TENS HUNDREDS	C-5900-7 C-5900-1 A-5003-1 A-5003-1	B-5903B B-5903B A-4722B A-4722B	A-5948 A-5946 A-5946 3C-7070 3C-7070 3C-7070	D-22-1150	10A-66	1A-2847-1	25/32	3B-7083TS	1C-1241-29
DOUBLE BARREL	REPLAY NO. MATCH BALL COUNT BONUS 0-9 TENS HUNDREDS	C-5900-3 C-5900-4 C-5900-5 A-5003-1 A-5003-1	B-5903B B-5733-4 B-5906C A-4722B	A-5948 A-5946 A-5947-12 A-5947-3 3C-7070 3C-7070 3C-7070	D-24-1400	10A-66	1A-2847-1	25/32	3B-7083DB	1C-1241-43
SKILL BALL	BALL COUNT ADVANCE 0-9 TENS HUNDREDS THOUSANDS	C-5900-6 C-5910-1 A-5003-1	B-5733-6 B-5905B A-4722B	A-5947-10 A-5909 3C-7070 3C-7070 3C-7070	-	-	1A-2847-2	1"	3B-7083SB	1C-1241-28S
RESERVE	REPLAY NO. MATCH BONUS 0-9 TENS HUNDREDS	C-5900-7 C-5900-8 A-5003-1 A-5003-1	B-5903B B-5733-1 A-4722B A-4722B	A-5948 A-5946 A-5947-10 3C-7070 3C-7070 3C-7070	D-22-1150	10A-66	1A-2847-1	25/32	3B-7083R	1C-1241-44
KISMET	REPLAY NO. MATCH BALL COUNT SELECTION PLAYER COIN 0-9 TENS HUNDREDS	C-5900-10 C-5900-11 C-5910-1 C-5900-9 C-5900-5 A-5003-1 A-5003-1	B-5902B B-5903K B-5905C B-5906B B-5906D A-4722B A-4722B	A-5948 A-5946 A-5947-7 A-5909-36 A-5947-3 A-5947-3 3C-7070 3C-7070 3C-7070	D-22-1150	10A-66	1A-2847-2	1"	3B-7083K	1C-1241-21 1C-1241-29
SPACE SHIP	REPLAY NO. MATCH 10,000 100,000 #1 ADVANCE #2 ADVANCE #3 ADVANCE #4 ADVANCE	C-5900-15 C-5900-7 C-5744 C-5900-16 C-5900-16 C-5900-16 C-5900-16	B-5902B B-5903B B-5732 B-5733-3 B-5733-3 B-5733-3 B-5733-3	A-5948 A-5946 A-5946 A-5949-89 A-5947-7 A-5947-7 A-5947-7 A-5947-7	D-24-1400	10A-66	1A-2847-2	1"	3B-7102	-
METRO	REPLAY NO. MATCH BALL COUNT SELECTION 0-9 TENS HUNDREDS	C-5900-10 C-5900-4 C-5900-18 A-5003-1 A-5003-1	B-5902B B-5733-4 B-5903-L A-4722B A-4722B	A-5948 A-5946 A-5947-12 A-5946 3C-7070 3C-7070 3C-7070	D-24-1400	10A-66	1A-2847-2	1"	3B-7103	1C-1241-16
JOLLY JOKERS	BALL COUNT ADVANCE 0-9 TENS HUNDREDS THOUSANDS	C-5900-6 C-5900-14 A-5003-1 A-5003-1	B-5733-6 B-5906-C A-4722B A-4722B	A-5947-10 A-5947-16 3C-7070 3C-7070 3C-7070	-	-	1A-2847-2	1"	3B-7100	-
3 COINS	REPLAY NO. MATCH ADVANCE 0-9 TENS HUNDREDS	C-5900-7 C-5900-14 A-5003-1 A-5003-1	B-5903B B-5903R A-4722B A-4722B	A-5948 A-5946 A-5947-15 3C-7070 3C-7070 3C-7070	D-24-1400	10A-66	1A-2847-2	1"	3B-7104	-
EXTRA INNING	INNING MIXER OUT RUN - 0-9 RUN - TENS HOME RUN - 0-9 HOME RUN TENS	C-5900-24 C-5900-22 C-5900-23 A-5003-1 A-5003-1 A-5003-1 A-5003-1	B-5733-7 B-5903N B-5733-7 A-4722B A-4722B A-4722B A-4722B	A-5947-9 A-5946 A-5947-3 B-4709 B-4709 B-4709 B-4709	-	-	-	-	-	-
1962 WORLD SERIES	INNING MIXER OUT RUN NAME RUNS 0-9 RUNS - 10-90 H. SCORE 0-9 H. SCORE 10-90	C-5900-24 C-5900-27 C-5900-26 C-5900-25 C-5900-28 A-5003-1 A-5003-1 A-5003-1	B-5733-9 B-5903N B-5733-8 B-5903-P B-5907-C A-4722B A-4722B A-4722B	A-5947-9 A-5946 A-5947-3 A-5947-45 A-5947-11 B-4709 B-4709 B-4709 B-4709	-	-	-	-	-	-

GAME	UNITS				RELAY BANK		FLIPPER LINKS		SHIELD	
	Name	Contact Disc	Wiper Carrier	Gear & Shaft	Reset Coil	Reset Spring	Dimensions Are To Hole Centers	Plastic	Metal	
COQUETTE	REPLAY NO. MATCH BALL COUNT SELECTION 0 TO 9 TENS HUNDREDS	C-5900-10 C-5900-4 C-5900-13 A-5003-1	B-5902B B-5733-4 B-5903B A-4722B	A-5948 A-5946 A-5947-12 A-5946 A-5947-3 3C-7070 3C-7070	D-24-1400	10A-66	1A-2847-2	1"	3B-7106	1C-1241-21 1C-1241-33
	REPLAY NO. MATCH ADVANCE 0-9 TENS HUNDREDS	C-5900-7 C-5900-20 A-5003-1	B-5903B B-5902E A-4722B	A-5948 A-5946 A-5947-25 3C-7070 3C-7070	D-24-1400	10A-66	1A-2847-2	1"	3B-7105	1C-1241-44
FRIENDSHIP 7	REPLAY NO. MATCH ADVANCE O TO 9 TENS HUNDREDS THOUSANDS REEL	C-5900-30 C-5900-29 A-5003-1	B-5733-2 B-5903B A-4722B	A-5947-10 A-5946 3C-7070 3C-7070	D-24-1600	10A-10	1A-2847-2	1"	3B-7110	1C-1241-1 1C-1241-46
	REPLAY NO. MATCH BALL COUNT ADVANCE O TO 9 TENS HUNDREDS	C-5900-10 C-5900-31 C-5900-19 A-5003-1	B-6202B B-6203S B-6200-5 A-4722B	A-5948 A-5946 A-5947-12 A-5947-4 3C-7070 3C-7070	D-24-1400	10A-66	1A-2847-2	1"	3B-7107	1C-1241-30
VALIANT	REPLAY NO. MATCH SPARE 0-9 TENS HUNDREDS	C-5900-2 C-5910-2 A-5003-1	B-6203B B-6205D A-4722B	A-5948 A-5946 A-5909-10 3C-7070 3C-7070	D-24-1400	10A-66	1A-2847-2	1"	3B-7109	1C-1241-17 1C-1241-21 1C-1241-45
	REPLAY NO. MATCH BALL COUNT ADVANCE O TO 9 TENS HUNDREDS	C-5900-32 C-5900-32 C-5900-21 A-5003-1	B-6203B B-6203S B-6203B A-4722B	A-5948 A-5946 A-5947-12 A-5946 A-5947-3 3C-7070 3C-7070	D-24-1400	10A-66	1A-2847-2	1"	3B-7108	
TOM-TOM	REPLAY NO. MATCH BALL COUNT ADVANCE O TO 9 TENS HUNDREDS	C-5900-32 C-5900-32 C-5900-21 A-5003-1	B-6203B B-6203S B-6203B A-4722B	A-5948 A-5946 A-5947-12 A-5946 A-5947-3 3C-7070 3C-7070	D-24-1150	10A-66	1A-2847-2	1"	3B-7113	1C-1241-21 1C-1241-47
	REPLAY NO. MATCH BALL COUNT PLAYER COINS O TO 9 TENS HUNDREDS SELECTION	C-5900-32 C-5900-33 C-5900-9 C-5900-34 A-5003-1	B-6203B B-6203-U B-6206B B-6203T A-4722B	A-5948 A-5946 A-5947-7 A-5947-3 A-5947-3 3C-7070 3C-7070	D-24-1150	10A-66	1A-2847-2	1"	3B-7113	1C-1241-21 1C-1241-47
MARDI GRAS	REPLAY NO. MATCH BALL COUNT SELECTION	C-5900-32 C-5900-33 C-5900-9 C-5900-34 A-5003-1	B-6203B B-6203-U B-6206B B-6203T A-4722B	A-5948 A-5946 A-5947-7 A-5947-3 A-5947-3 3C-7070 3C-7070	D-24-1150	10A-66	1A-2847-2	1"	3B-7113	1C-1241-21 1C-1241-47
	REPLAY NO. MATCH BALL COUNT ADVANCE O TO 9 TENS HUNDREDS SELECTION	C-5900-32 C-5900-33 C-5900-9 C-5900-34 A-5003-1	B-6203B B-6203-U B-6206B B-6203T A-4722B	A-5948 A-5946 A-5947-7 A-5947-3 A-5947-3 3C-7070 3C-7070	D-24-1150	10A-66	1A-2847-2	1"	3B-7113	1C-1241-21 1C-1241-47

PRICE LIST

Arranged by Groups of Related Parts

5 BALL CABINETS (Shelf Type)

Part No.	Description	Price
	Cabinet Only	\$55.00
	Light Box Only (Single Player)	17.00
	Light Box Door Only (Single Ply.)	6.00
	Light Box with Door (Single Ply.)	22.00
	Screened Light Box Glass (Sin. Ply.)	16.00
	Plexi-Glass Screened (Single Ply.)	21.00
	Light Box Only (Multi-Player)	24.00
	Light Box Door Only (Multi-Ply.)	6.50
	Light Box with Door (Multi-Player)	30.00
	Screened Light Box Glass (Multi-Player)	18.00
	Plexi-Glass Screened (Multi-Ply.)	25.00
	Screened Playboard	45.00
8C-7031-L	Left Side Moulding	6.50
8C-7031-R	Right Side Moulding	6.50
8B-7032	Front Shelf Trim	1.40
8B-7034	Glass Channel	1.50
1C-2862	Shelf Trim (Top)	1.40
B-5945	Front Moulding Ass'y.	6.50
20C-8709	Tubular Leg	5.50
	21 x 43 Playfield Glass	6.50

5 BALL CABINETS Single Player

	Cabinet Only	\$50.00
	Light Box Only	25.00
	Light Box Door Only (Wood)	6.50
	Light Box with Door (Wood)	31.50
	Screened Light Box Glass	16.00
	Plexi-Glass Screened	21.00
	Screened Playboard	45.00
1D-2887	Right Side Moulding Stainless Steel	9.50
1D-2888	Left Side Moulding Stainless Steel	9.50
1B-2892	Rear Moulding-Bottom Plate	2.65
1B-2893	Rear Moulding Top Plate Stainless Steel	4.50
D-5835	Front Moulding Ass'y.	9.50
20B-8719	Glass Channel	1.50
1E-2263-1	Metal Legs	3.00
	21 x 43 Playfield Glass	6.50
B-6056	Light Box Door Only (Metal)	\$ 6.75
	Light Box with Metal Door	31.75
D-6061	Front Moulding Assy. (latch type)	6.50
A-6058	Front Moulding Lock Lever Assy.	1.00
B-6059	Front Moulding Lock Rail Assy.	1.20
B-6078	Front Moulding Lever & Lock Slide Assy.	3.00
B-6212-1	Metal Legs (each)	3.00

5 BALL CABINETS Multi-Player

	Cabinet Only	\$65.00
	Light Box Only	27.00
	Light Box Door Only (Wood)	6.75

5 BALL CABINETS (cont.) Multi-Player

	Light Box with Door (Wood)	33.50
	Screened Light Box Glass	18.00
	Plexi-Glass Screened	25.00
	Screened Playboard	45.00
1D-2887	Right Side Moulding Stainless Steel	9.50
1D-2888	Left Side Moulding Stainless Steel	9.50
1B-2892	Rear Moulding Bottom Plate	2.65
1B-2893	Rear Moulding Top Plate Stainless Steel	4.50
D-5835-1	Front Moulding Ass'y.	9.50
20B-8719	Glass Channel	1.50
1E-2263-2	Metal Legs	3.00
	21 x 43 Playfield Glass	6.50
B-6057	Light Box Door only (Metal)	\$ 7.00
	Light Box with Metal Door	34.00
A-6058	Front Moulding Lock Lever	1.00
B-6059	Front Moulding Lock Rail	1.20
B-6078	Front Moulding Lever & Lock Slide	3.00
D-6061	Front Moulding Assy. (Latch Type)	6.50
B-6212-2	Metal Legs (each)	3.00

MISCELLANEOUS CABINET HARDWARE

1A-2385	Metal Door Frame Hinge Cover	\$.25
1A-2386A	Metal Door Frame Locking Bracket	.30
1B-2572	Ball Stop	.75
1D-2759-5	Metal Door Frame (Single Chute)	1.50
1D-2759-6	Metal Door Frame (Twin Chute)	1.50
1B-2894	Cabinet Front Armor	.55
1A-2961	Insert Hinge (Male)	.30
1A-2962	Insert Hinge (Female)	.30
1A-3015	Ball Lift Deflector	.30
2A-2384	Flipper Button Bushing	.40
2A-2525A	Flipper Button	.50
8A-7025-A	Leg Leveler	.30
8A-7025B	Leg Leveler Nut	.06
20A-6500	1-1/16" Steel Ball (Pin Games)	.60
20A-6502A	Carbon Tilt Bob	.55
20A-6518	7/8" Steel Ball (Baseball Games)	.40
20A-6519	15/16" Steel Ball (Roll Tilt)	.50
20A-6520	3/4" Steel Ball (Official Baseball)	.40
20A-6542	Front Door Lock (2 Keys)	1.75
20A-6543	Back Door Lock (2 Keys)	1.75
C-5592	Cash Box Cover	1.50
C-5669	Cash Box	4.00
	Leg Bolt (For Tubular Legs) 3/8-16 x 1 1/4"	.06
	Leg Bolt (Metal Legs) 3/8-16 x 2 3/8"	.12
	Leg Bolt Washer	.02
	Light Box Mounting Bolt 3/8-16 x 4"	.14
1A-2591	Cash Box Divider 2 1/2" Deep	\$.20
1A-2591-1	Cash Box Divider 4 1/2" Deep	.20
20-8710	Curved Blue Spring Washer	.02
21B-6597	Front Moulding Casting (R. H.)	1.20
21B-6596	Front Moulding Casting (L. H.)	1.20
B-4669	Hinge Assembly Wooden Doors	1.40
C-5669-1	Cash Box 4 1/2" Deep	4.40

BASEBALL CABINETS

1962 World Series & Extra Inning

Cabinet Only	\$65.00
Light Box Only	25.50
Light Box Door Only	6.75
Light Box with Door	31.00
Light Box Removable Side Moulding	4.00
Screened Light Box Glass World Series or Extra Inning	18.00
Screened Playboard	45.00
1D-2887-1 Right Side Moulding Stainless Steel	9.50
1D-2888-1 Left Side Moulding Stainless Steel	9.50
1A-3026 Rear Moulding Stainless Steel	7.50
11D-154 Screened Front Moulding (less hardware)	6.00
B-6070 Screened Front Moulding (with hardware)	14.00
20B-8719-1 Glass Channel	1.50
C-5669 Cash Box	4.00
B-6212-2 Metal Legs (each)	3.00
Front Moulding 1957 DX Baseball less hardware	10.00
Front Moulding 4 Bagger less hardware	10.00

MISCELLANEOUS BASEBALL PARTS

1A-2949 Panel Support (Batting Champ)	\$.20
1B-2726 Back Stop	1.00
1E-1936 Ball Hole Deflector (rear playboard)	2.50
3A-7051 Curved Front Acetate (Shortstop)	9.50
3B-7062 Playfield Ball Ramp	1.20
3C-7063 "Over the Fence" Plastic (Pinch Hitter)	4.00
3A-7078 Plastic Lite Shield (insert - 6" x 12")	1.00
3A-7079 Plastic Lite Shield (cabinet - 4½" x 5¼")	.55
3D-7080 "Super Home Run" Plastic (Batting Champ)	4.50
3C-7080-1 "Super Home Run" Plastic (1962 World Series & Extra Inning)	4.50
D-5164 Ball Deflector Cover (Red)	5.40
A-5703 Pitcher Ball Flap	1.00

COMPLETE ASSEMBLIES

D-4798 100 Step Unit	\$25.00
C-5694 50 Step Unit (Resetting Type)	20.00
C-5745 50 Step Unit (Non Resetting Type)	20.00
C-5866 Replay Unit	20.50
C-5726 10 Step Unit	20.00
C-5726A 10 Step Unit	20.00
B-5053 Jet Bumper Ass'y.	6.50
B-5839 Swinging Target Ass'y.	9.50
E-5590 Disappearing Jet Bumper Ass'y.	25.00
B-5163 Flipper & Coil Ass'y.	5.00
B-5104 Ball Kicker Ass'y.	5.00
E-5613 Pitcher Unit Ass'y. (Specify Game)	40.00
C-5161 Batter Unit Comp. (Specify Game)	15.00
E-5770 Pitcher Unit (Official Baseball)	40.00
B-6043 Swinging Target (Slave Unit)	\$ 6.00
B-6045 Swinging Target Assembly	14.50
B-6217 Drop Target Assembly	7.50
B-6228 Metal Flipper and Coil Assembly	5.50

DOORS

Wood Door (Specify Game)	\$ 4.00
Metal Door with 5c or 10c Rejector (Single Chute)	35.00
Metal Door with Rejectors (Twin Chute)	45.00
Metal Door with Rejector Mounting Pad less rejectors (Single Chute)	28.00
Metal Door with Rejector Mounting Pads less Rejectors (Twin Chute)	31.00
C-5490-1 Metal Door (Single Chute)	4.50
C-5490-2 Metal Door (Twin Chute)	4.75

ROAD RACER PARTS

1A-2770-2 Collector Ring Insulator	\$.16
1A-2994 Track Bracket	.20
1A-3013 Thumb Screw Bracket	.30
1B-3014 Latch (Top Section)	.25
2A-2816 Track	1.00
2A-2818 Belt Coupler	1.20
2A-2823 Car Shaft	.45
2A-2826 Steering Crank Collar	.40
2A-2831 Commutator Bushing	.70
3A-7087 Insulator Bushing	.30
5A-6522-2 Solder Lug	.03
8A-7114 Screened Display Glass	23.00
8A-7115 Mirror	12.00
10A-55 Spring	.05
10A-55-A Spring	.05
12A-6314 Steering Link	.32
14A-7741 Drum Unit Motor	15.00
14A-10794 Timer Unit Motor	7.00
20A-8713-25 'C' Ring Fastener	.08
20A-8713-31 'C' Ring Fastener	.05
20A-8713-37 'C' Ring Fastener	.06
20A-8713-75 'C' Ring Fastener	.12
20A-8715-71 Flat Washer	.02
20A-8725 ¼ x 45" Leather Belt	2.20
20A-8726 ¼ x 42" Endless Leather Belt	5.20
20A-8728-R Automobile	1.20
20D-8729-R Steering Wheel	14.00
20A-8731 Ball Race	1.70
20A-8732 Nut Retainer	.10
21A-118 4" Pulley ⅝" Hole	1.60
21A-118-1 4" Pulley ⅜" Hole	1.60
21A-119 2" Pulley 5/16" Hole	.80
21A-120 1½" Pulley 5/16" Hole	.60
22A-105 Indicator Dial	3.00
22A-105-1 Front Scenery	7.50
22A-105-2 Left Side Scenery	7.50
22A-105-3 Right Side Scenery	7.50
23A-6314 #47 Collar Button	.03
23A-6406 Rubber Grommet	.03
23A-6414 Rubber Grommet	.03
B-5760-3 Collector Ring & Pin	.32
B-5911 Mounting Plate	4.50
A-5912 Idler Arm	1.30
A-5913 Carriage	3.20
A-5914 Crank	1.00
A-5915 Steering Crank	.50
A-5916 Steering Hub Cover	3.50

ROAD RACER PARTS (cont.)

B-5917	Steering Wheel	32.50
A-5919	Drum & Cover	56.00
A-5920	Commutator	2.50
A-5921	Timer Motor Bracket	.75
A-5922	Motor Plate	.60
A-5923	Drum Motor Mount	.80
A-5924	Commutator Brush	.45
A-5925	Timer Motor Cam	.90
A-5926	Drum End	7.00
A-5927	Carriage Bracket	1.00
A-5929	Sound Box	3.50
A-5930	Steering Wheel Bearing	10.00
A-5932	Pointer	.30
A-5933-1	Car Contact (Small)	.20
A-5933-2	Car Contact (Medium)	.20
A-5933-3	Car Contact (Large)	.20
A-5934	Steering Shaft	1.75
D-5935	Steering Mechanism	30.00
C-5936	Carriage Bracket	5.95
A-5937	Cash Box	1.50
A-5938	Cash Box Cover	.85
A-5939	Thumb Screw & Bracket	1.00
A-5940	Thumb Screw	.60
A-5941	Thumb Screw Latch	.35
B-5942	Drum Motor Unit	17.50
B-5943	Timer Motor Unit	10.50
2A-2827	Drum Shaft Road Racer	\$.18
21A-117R	Drum Mounting Hub	.60

POOL TABLE PARTS

	Cash Box Door	\$ 3.00
1A-2897	Hinge Bracket	.30
1A-2898	Reset Pivot Mounting Bracket	.65
1A-2901	Latch Plate	.60
1A-2914	Coin-Chute Brkt.	.20
1A-2950	Coin Chute Adaptor	.60
2A-2811	Hinge-Shoulder Screw	.18
3A-7081	Rail Insert (Plastic)	.06
3A-7082	Plexi-Glass Window	4.75
9A-7542	10c Coin Chute-Duplex	18.00
9A-8608	25c Coin Chute	12.00
11C-141-1C	Covered Rail End (75" Pool Table)	7.10
11C-141-C	Covered Rail End (90" Pool Table)	8.00
11C-142-1C	Covered Rail Right (75" Pool Table)	7.10
11C-142-C	Covered Rail Right (90" Pool Table)	8.00
11C-143-1C	Covered Rail Left (75" Pool Table)	7.10
11C-143-C	Covered Rail Left (90" Pool Table)	8.00
20A-6385	Plastic Shake Bottle	2.00
20A-6542-W	Cash Box Lock	1.75
20A-7537	Billiard Chalk	.08
20A-7538	48" Cue Stick (75" Pool Table)	4.00
20A-7539	Chalk Holder	.15
20A-7540	Chalk Cord	.08
20A-7569	57" Cue Stick (90" Pool Table)	7.30
20A-8603	Marker Button	
	(Set-20 Black, 20-White)	1.25
20A-8605	1 Set Peas (1 to 15)	1.20
20B-8617-A	Slate Top 35¼" x 67½"	
	(75" Pool Table)	82.00
20A-8617-B	Slate Top 43" x 83"	
	(90" Pool Table)	119.00

POOL TABLE PARTS (cont.)

20A-8618	2¼" Ball (1 to 15)	3.70
20A-8618-C	2¾" White Cue Ball	4.00
20A-8619	Triangular Ball Rack	3.00
20A-8720	Cash Box	.68
20A-8721-1	Rail Cloth 5 x 34¼" (75" Pool Tbl.)	1.30
20A-8721	Rail Cloth 5 x 41" (90" Pool Table)	1.50
20A-8722	Drawer Lock	1.75
20A-8723-1	Slate Cloth 39" x 71¼"	
	(75" Pool Table)	26.00
20A-8723	Slate Cloth 47" x 87" (90" Pool Tbl.)	31.00
23B-6411	Rubber Corner Pocket	2.00
23B-6412	Rubber Side Pocket	2.00
23B-6413	Gully Boot (Rubber)	2.40
A-5842	Ball Release Assembly	3.20
A-5843	Pivot Arm Assembly	.95
C-5845	Ball Gate	12.00
B-5848	Connecting Link Assembly	1.10
A-5853	Pivot Bracket Assembly	1.35
B-5872-1	Slate with Cloth Cover	
	(75" Pool Table)	110.00
C-5872-2	Slate with Cloth Cover	
	(90" Pool Table)	150.00
B-5882	Ball Separator (90" Pool Table)	7.50
B-5883	Ball Separator (75" Pool Table)	7.00
21D-6599	Chrome Corners-Pool Table	\$15.00
23A-6410	Rubber Rail	1.09 ft.

TEN STRIKE & TEN PINS

Miscellaneous Parts

1A-2464	Switch Bracket	\$.15
1A-2465	Mannikin Coil Bracket (Rear)	\$.35
1A-2477	Mannikin Coil Bracket (Front)	.50
1A-2479	Plexiglass Bracket	1.50
1A-2484	Front Molding (Specify Ten Strike or Ten Pins)	3.50
2A-2697	Arm Activating Shatt	.72
2A-2709	Brass Tubing for Coil As-20-900	.80
2A-2711-1	Mannikin Arm Shaft Bearing (Short)	.50
2A-2711-2	Mannikin Arm Shaft Bearing (Long)	.70
3A-7030	Plexiglass Hood (Ten Strike)	35.00
3A-7050	Plexiglass Hood (Jumbo Ten Strike)	45.00
10A-165	Ball Release Spring	.20
10A-167	Arm Return Spring	.20
20A-8641	Pin Magnet	1.00
20A-8646	1¼" Steel Ball	1.50
20A-8650-10	Taper Pin for Pinion Gear	.04
20A-8650-12	Taper Pin for Solenoid Crank	.04
20A-8650-20	Taper Pin for Arm & Gear Assy	.05

TURNTABLE ASSEMBLY (Nags)

E-5771	Turntable Assembly Complete	\$75.00
1A-2528	Motor Mounting Bracket	.80
1A-2785	Turntable Plate (Under Playfield)	.60
2A-2775	Turntable Driven Coupler	.75
2A-2776	Turntable Drive Coupler	.75
3A-6040	Jet Bumper Cap (Spe. No. on Cap)	.45
11C-111	Turntable Disc (Top)	4.50
14A-7737	Gear Motor	12.00

MOTORS (cont.)

TURNTABLE ASSEMBLY (cont.)

(Nags)

20A-6559	Thrust Bearing75
B-5053	Jet Bumper Assembly	6.50
A-5324	Bumper Switch Assembly60
A-5748	Turntable Drive Plate Assy.70
A-5751	Turntable Roller Assembly60
A-5752	Turntable Roller Assembly70
A-5754	Drive Shaft Assembly80
B-5759	Mounting Bracket & Brush Assy. ...	3.00
B-5759-1	Mounting Bracket & Brush Assy. ...	3.20
B-5761	Commutator Assembly	15.80

HORSE UNIT ASSEMBLY

E-5777	Horse Unit Assembly Complete	\$110.00
1A-2813	Clutch Washer06
3A-6018	Sprocket50
10A-93	Chain Connecting Spring05
10A-94	Friction Drive Spring07
14A-6716	Motor	15.00
20A-6529	Horse Chain50
20A-6529-1	Drive Chain20
20A-7550	Felt Washer06
20A-7551	Friction Washer (Leather)06
20A-8673	Horse Assy. (Turf Champ Only) ...	
	Specify No. of Horse	2.00
A-4472	Horse Carriage Bracket Assy.	1.10
A-4488	Brake Relay Latch60
A-5668	Brake Relay	4.00
A-5668-1	Brake Relay Armature Assembly50
A-5671-A	Brake Relay Assy. (Complete)	5.00
A-5671-B	Brake Relay Assy. (Complete)	5.15
A-5783	Horse Assy. (Specify No. on Horse) ..	.75
SW-1A-22A-2	Double Break Switch75
SW-1A-25	Make Switch60
SW-2A-5	Break Switch60
Y-31-1300	Brake Relay Coil	1.60

MOTORS

14A-6716	Horse Unit Motor	\$15.00
14A-6724A	Man Running Unit Motor (All Baseball Games)	12.00
14A-6734	Target Motor (Safari-Polar Hunt) ..	12.00
14A-6736	Swinging Target Motor (Safari)	12.00
14A-6738A	Score Motor (All 5-Ball Type Games) ..	10.00
14A-6738-50	Score Motor 50 Cycle	12.00
14A-7704	Pitcher Unit Motor (4 Bagger-Only) ..	12.00
14A-7722	Score Motor (Ten Pins & Ten Strike) ..	12.00
14A-7723	Pin Reset Motor (Ten Pins & Ten Strike)	12.00
14A-7724	Ball Lift Motor (Ten Pins & Ten Strike)	12.00
14A-7726A	Pitcher Unit Motor (All Baseball Games Except Four Bagger & Official Baseball)	12.00
14A-7731A	Search Unit Motor (On Gun Types)	12.00
14A-7732A	Score Motor (Bouncing Ball Type, Except Titan)	10.00
14A-7735A	Motor for Disappearing Jet Bumper ..	10.00
14A-7735A-50	Motor for Disappearing Jet Bumper-50 Cycle	12.00

14A-7736A	Score Motor (Titan)	10.00
14A-7737	Turntable Motor (Nags)	12.00
14A-7739C	Pitcher Unit Motor (Official Baseball)	12.00
14A-7740-50	Moving Target Motor	7.00
14A-7741	Drum Unit Motor (Roadracer)	15.00
14A-10794	Timer Motor (Roadracer - Voice-O-Graph)	7.00
14A-7744-A	Pitcher Motor 1962 World Series and Extra Inning	\$15.00
14A-7745	New Swinging Target Motor	10.50
14A-7746	Score Motor (5 ball type) 24 volts ..	10.00
14A-7747	Score Motor (5 ball type) 50 cycle-24 volts	12.00
14A-7748	Disappearing Jet Bumper Motor-24 volts	12.00

PLASTIC PARTS

3A-6000	Small Plastic Post	\$.10
3A-6001	Large Plastic Post14
3A-6003	Large Rollover Guide08
3A-6004	Medium Rollover Guide08
3A-6005	Small Rollover Guide07
3A-6007-R	Plastic Flipper-small "f" Spe. color ..	.20
3A-6007-L	Plastic Flipper-large "F" spe. color ..	.20
3A-6008	Jet Bumper Body22
3A-6009-A	Jet Bumper Base14
3A-6013	Nylon Plunger10
3A-6014	Nylon Flipper Bushing30
3A-6015-C	Eject Hole Shield12
3A-6016	Small Rollover Button10
3A-6020	Round Bumper Cap (Plain)14
3A-6020	Round Bumper Cap (Lettered)18
3A-6021-A	Bumper Assy. - wafer with plastic stem, less rubber ring & socket	1.00
3A-6035	Jet Bumper Wafer-plastic stem22
3A-6040	Jet Bumper Cap - sunburst edge, colored rim, white insert-(Plain) ..	.40
3A-6040	Jet Bumper Cap - sunburst edge, colored rim, white insert-(Let.)45
3A-6056	Bumper Wafer - Plastic Stem22
3A-6085	Drive Crank20
3A-6091	Target Plastic 1 1/8" diameter20
3A-6091-A	Target Plastic 1" diameter20
3A-7023	Acetate Cover (Service Call)04
3A-7024	Acetate Score Card Cover06
3A-7034-1	Plastic Lite Hood 1 1/2" Dbl. Apron ..	.16
3A-7035	Plastic Lite Hood 2 1/8" Dbl. Apron ..	.16
3A-7036	Plastic Lite Hood 2 1/8" Single Apron ..	.18
3A-7037	Plastic Lite Hood 1 1/2", Single Apron-Plain18
3A-7037	Plastic Lite Hood 1 1/2", Single Apron-Lettered24
3B-7062	Ball Ramp	1.20
3A-7065	Bushing-Kick Off Plunger30
3C-7070	Cam & Ratchet Hub40
3A-7086	Regular Bumper Body22
3A-6032	Amber Sleeve	\$.02
3A-6092	1" Plastic Insert (Playfield)10
3A-6095	3/4" Plastic Insert (Playfield)07
3A-6097	R. O. Button Holder 1-3/16"26

COILS 50 VOLTS

A-25-950	Step Up Coil.....	\$1.60
A-26-1100	Step Up Coil.....	1.95
A-26-1350	Step Up Coil.....	1.95
A-27-1650	Eject Coil.....	1.95
A-30-2700	Ball Release Coil.....	2.10
AS-20-900	Arm Solenoid Coil (Ten Pins & Ten Strike).....	2.50
A1-26-1100	Shooter Coil.....	1.95
A2-26-1100	Knocker Coil.....	1.95
A2-26-1350	Bell Coil.....	1.95
A3-25-950	Target Hole Coil (Gun Type).....	1.95
B-29-1600	Reset Coil.....	1.70
D-22-1150	Relay Bank Reset.....	2.20
D-24-1150	Relay Bank Reset.....	2.20
D-24-1400	Relay Bank Reset.....	2.20
D-24-1600	Relay Bank Reset.....	2.20
DU-26-1350	Drum Unit Coil.....	1.95
E-33-2500	Relay Coil.....	1.60
E-32-1800	Relay Coil.....	1.60
FL-25-31	Flipper Coil.....	2.20
G-25-1100	Jet Bumper Coil.....	1.95
G-26-1400	Kicker Coil.....	1.95
GK-23-1600	Kicker Coil (Gun Type).....	2.50
GI-25-1100	Disappearing Bumper Coil.....	1.95
H-22-700	Bat Coil (Official Baseball).....	2.20
H-24-1150	Bat Coil (Except Official Baseball).....	2.20
IT-29-1000	Latch Relay Coil.....	1.60
IT-30-1500	Latch Relay Coil.....	1.60
IT-32-2100	Latch Relay Coil.....	1.60
IT-35-4200	Latch Relay Coil.....	1.80
M-28-600	Relay Coil.....	1.60
M-31-1700	Relay Coil.....	1.60
M-32-1800	Relay Coil.....	1.60
M-33-2800	Relay Coil.....	1.80
M-34-3100	Relay Coil.....	1.80
M-36-5500	Relay Coil.....	1.80
X-28-800	Relay Bank Coil.....	.80
X-30-1000	Relay Bank Coil.....	.80
Y-31-1300	Brake Relay Coil (Turf Champ).....	1.60
Z-30-1800	Relay Coil.....	1.70
Z-31-2300	Relay Coil.....	1.70
Z-35-4200	Relay Coil.....	1.80
Z-35-5500	Relay Coil.....	1.80
20A-8622	Coin Lockout Coil.....	1.50
20A-8702	Curve Magnet Coil.....	3.50
C-28-1100	Old Knocker Coil.....	1.70
H23-870	Bat Coil.....	\$ 2.20

COILS 24 VOLTS

A-22-550	Drop Target Coil.....	\$ 1.95
A-23-600	Step Up Coil.....	1.95
A-23-650	Step Up Coil.....	1.95
A-26-1350	Ball Release Coil.....	1.95
A2-23-750	Bell & Knocker Coil.....	1.95
B-26-800	Reset Coil.....	1.70
C2-26-800	Chime Coil.....	1.70
DU-23-740	Drum Unit Coil.....	1.95
FL-21/28	Flipper Coil.....	2.20
G-22-550	Jet Bumper Coil.....	1.95
G-23-650	Shooter Coil.....	1.95
G-23-750	Kicker Coil.....	1.95

COILS 24 VOLTS (Cont.)

G-24-850	Eject Coil.....	1.95
IT-27-800	Trip Relay Coil.....	1.60
M-29-1100	Relay Coil.....	1.60
M-30-1400	Relay Coil.....	1.60
X-25-400	Relay Bank Coil.....	.80
X-27-700	Relay Bank Coil.....	.80
Z-25-400	Relay Coil.....	1.70
Z-27-1000	Relay Coil.....	1.70
Z-28-1200	Relay Coil.....	1.70

TRANSFORMERS

15A-6764X-1	Transformer (50 Volt) 5 Ball Type Games.....	\$12.00
15A-6767-50	Transformer (50 Volt) (50 Cycle).....	18.00
15A-6768	Transformer (Bouncing Ball Gun Types).....	14.00
15A-6771	Transformer (24 Volt) 5 Ball Type Games.....	14.00
15A-6772	Transformer (24 Volt) (50 Cycle).....	20.00

COIN CHUTES and REJECTORS

9A-7542	ABT Duplex 10c Chute.....	\$28.00
9A-8529	National 10c Rejector.....	8.00
9A-8551	National 5c Rejector.....	8.00
9A-8552	National 25c Rejector.....	8.00
9A-8608	ABT 25c Push Chute.....	12.00
	All Foreign Rejectors.....	12.00
9A-8621	ABT 5c Duplex Push Chute.....	\$28.00
9A-7544	ABT 10c Push Chute.....	19.00

NOTE: When ordering foreign coin chutes or rejectors, enclose sample of coin.

BALLS

3A-6086	1½" Catalin Ball (Specify Color).....	\$1.00
20A-6403	Rubber Ball (Vanguard) (Set of 7 Balls).....	1.50
20A-6500	1-1/16" Steel Ball.....	.60
20A-6518	7/8" Steel Ball (Baseball Games).....	.40
20A-6519	15/16" Steel Ball (Roll Tilt Assy.).....	.50
20A-6520	¾" Steel Ball (Official Baseball).....	.40
20A-8618	2¼" Billiard Ball (Num. 1-15).....	3.70
20A-8618C	2¾" White Cue Ball.....	4.00
20A-8646	1¼" Steel Ball (Ten Strike & Ten Pins).....	1.50
20-7534	2⅛" Red Balls.....	\$ 3.00
20-7535	2⅛" White Balls.....	3.00

RUBBER PARTS

23A-6300	5/16" Rubber Ring.....	\$.05
23A-6301	¾" Rubber Ring.....	.06
23A-6302	1" Rubber Ring.....	.07
23A-6303	1¼" Rubber Ring.....	.08
23A-6304	1½" Rubber Ring.....	.08
23A-6305	2" Rubber Ring.....	.10
23A-6306	2-5/16" Rubber Ring.....	.14
23A-6307	27/8" Rubber Ring.....	.16
23A-6308	33/8" Rubber Ring.....	.18
23A-6309	37/8" Rubber Ring.....	.20
23A-6310	5" Rubber Ring.....	.30
23A-6311	5/16" Jumbo Rubber Ring.....	.05

RUBBER PARTS (cont.)

23A-6313	Rubber Bumper	.10
23A-6314	Rubber Bumper	.03
23A-6316	Large Rebound Rubber	.30
23A-6322	Arch Rubber	Ft. .20
23A-6323	Bat Sleeve	.25
23A-6327	Shooter Tip	.08
23A-6332	Dead Rubber Ring for Plastic Bump.	.07
23A-6350	Idler Wheel (Crane)	2.00
23A-6359	Live Rubber Ring for Plastic Bump.	.07
23A-6372	Rubber Bumper	.10
23A-6406	Rubber Grommet	.03
23A-6408	Rubber Bumper	.06
23A-6414	Rubber Grommet	.03
23A-6313-1	Rubber Grommet	\$.04
23A-6420	Rubber Grommet	.04

SWITCHES and SWITCH ASSEMBLIES

SW-1A	Ball Trough (Playfield Bottom)	\$.44
SW-1A-1	Shake Tilt	.60
SW-1A-2	Lane Roll-over (Single)	.44
SW-1A-3	Flipper Button	.55
SW-1A-5	Flipper	.44
SW-1A-6	Ball Trough (Cabinet)	.44
SW-1A-20	Roll Tilt	.20
SW-1A-22A-2	Double Break (Horse Unit)	.75
SW-1A-25	Make Switch (Horse Unit)	.60
SW-1A-27	Eject Hole	.45
SW-1A-34	Trigger	.50
SW-1A-45	Roll-over Button (Make)	.50
SW-1C	Motor	.55
SW-2A-3	Kick Off	.45
SW-2A-5	Break Switch (Horse Unit)	.60
SW-2U-8	Disappearing Bumper (Motor)	.45
SW-3U-3	Cam	.50
SW-10A-5	Single Outhole	.44
SW-10A-6	Bat Handle	.55
SW-10A-7	Anti-Cheat (Door)	.65
SW-10A-9	Bat Unit	.50
SW-10A-11	Swinging Target	.55
SW-10C-2	Bat Lever	.55
SW-11A-2	Lane Roll-over (Double)	.50
SW-11A-8	Switch (Horses #1 to 5 Brake Re.)	.44
SW-11A-9	Switch (Horse #6-Brake Relay)	.44
SW-11A-10	Kicker	.50
SW-11C	Pitcher Cam	.60
SW-12A-3	Disappearing Bumper	.85
SW-13U-1	Switch	.60
SW-20A	Rollover Button	.50
SW-30C	Motor Switch	.60
SW-221U-1	Switch	.60
A-4735	Target Switch Assembly	1.35
A-4783	Jet Bumper Switch Assembly	1.10
A-4799	Tilt Switch Assembly	.88
A-4834	Stand Up Switch Assembly	.55
A-5324	Bumper Switch Assembly	.60
A-5422	Man Running Base Switch Assy.	.70
A-5422-1	Man Running Run Switch Assy.	.70
SW-1A-47	Bat Unit Switch	\$.44
SW-1A-49	Ball Gate Switch	.55
SW-1A-50	Drop Target Make Switch	.44
SW-1C-1	Motor Switch	.44

SWITCHES and SWITCH ASSEMBLIES (cont.)

SW-1-M1	Make Switch "M" Relay	.44
SW-1M-3	Make Switch	.44
SW-10U-7	Drum Unit Drive Make Switch	.44
SW-1U	10 Step Unit Switch	.55
SW-1U-1	M Switch Drum Unit	.44
SW-1U-2	M Switch Drum Unit	.44
SW-1Z	Make Switch	.44
SW-1-Z1	Make Switch	.44
SW-2M-1	Break Switch	.44
SW-2Z	Break Switch	.44
SW-3-M1	Make Break Switch "M" Relay	.68
SW-3Z	Make Break Switch	.68
SW-10A-14	Target Switch	.55
SW-10C	Make Switch (Motor)	.55
SW-10C-1	Make Switch (Motor)	.55
SW-10-M1	Make Switch "M" Relay	.44
SW-10-Z	Make Switch	.44
SW-20-C	Break Switch (Motor)	.55
SW-20C-1	Break Switch (Motor)	\$.44
SW-20-M1	Break Switch "M" Relay	.44
SW-20U-1	M Switch Drum Unit	.44
SW-20-Z	Break Switch	.44
SW-30C	Motor Switch	.75
SW-30C-1	Make Break Switch Motor	.68
SW-30-M1	Make Break Switch "M" Relay	.68
SW-31-B	Drop Target Switch	.75
5A-8711	Mercury Tilt Switch	.60

LIGHT SOCKETS

24A-6404-1	Standup Playfield Socket (Long)	\$.10
24A-6405	Standup Socket (Short)	.10
24A-6416	Bumper Lite Socket	.10
24A-6436	Horizontal Socket (Playfield)	.10
24A-6437	Disapp. Jet Bumper - Lite Socket	.15
24A-6587	Insert Lite Socket	.10
B-6069	Lite Socket Strip (Friendship 7)	1.50

LIGHT BULBS

24A-6549	#44 Bayonet Type Light Bulb	\$.12
24A-6550	#55 Bayonet Type Light Bulb	.12
24A-6551	#63 Bayonet Type Light Bulb	.20
24A-6552	#40 Bayonet Type Light Bulb	.12
24A-6583	25 Watt 115 V. Standard Light Bulb-White	.70
24A-6584	100 Watt 115 V. Standard Light Bulb-Red	1.40
24A-6585	15 Watt 115 V. Standard Light Bulb-White	.80
24A-8667	Disappearing Bumper Bulb	.20

FUSES, FUSE HOLDERS and RESISTORS

5A-6134-A	4 Clip Fuse Block	\$1.20
5A-6134-C	1 Clip Fuse Block	.30
5A-6507	5 Amp Fuse	.06
5A-6508	10 Amp Fuse	.05
5A-6509	20 Amp Fuse	.05
5A-6567	15 Amp Fuse	.05
5A-6569	1 Amp Slo Blo Fuse	.30
5A-7518	2 Amp Slo Blo Fuse	.28
5A-8633	3 Amp Slo Blo Fuse	.28
20A-8628	500 OHM 10 Watt Resistor	.35
20A-8629	500 OHM 7 Watt Resistor	.35
5A-8713	.75 Amp Slo Blo Fuse	\$.30
5A-8714	1.6 Amp Slo Blo Fuse	.28
5A-6171	5 Clip Fuse Block	1.35

FASTENERS

12A-6223	Hairpin Clip	\$.04
12A-6225	Hairpin Clip04
12A-6226	Hairpin Clip04
12A-6227	Hairpin Clip04
12A-6267	Snap-on Cotter Key04
12A-6516	Speed Nut03
20A-6514	Tinnerman Speed Nut04
20A-6516	Tinnerman Speed Nut03
20A-8712-15	"E" Ring02
20A-8712-18	"E" Ring03
20A-8712-21	"E" Retaining Ring03
20A-8712-25	Tru-Arc Retaining Ring04
20A-8712-37	"E" Retaining Ring05
20A-8713-25	"C" Ring Fastener08
20A-8713-31	Tru-Arc Ring05
20A-8713-37	"C" Ring Fastener06
20A-8713-75	"C" Ring Fastener12

MISCELLANEOUS HARDWARE

	3-48 (specify length) Round Head Machine Screw	\$.60C
	5-40 (specify length) Round Head Machine Screw60 C
	6-32 x 1 $\frac{1}{8}$ Oval Head Nylock Flipper Screw	5.42C
	5-40 Steel Hex Nut60 C
	6-32 Steel Hex Nut60 C
	6-32 Elastic Stop Nut06
	8-32 Elastic Stop Nut07
	8-32 Steel Hex Nut75 C
	10-32 Steel Hex Nut75 C
	$\frac{1}{4}$ -20 Steel Hex Nut	1.40 C
	7/16 x 20 Hex Jam Nut06
	9/16-18 Hex Jam Nut08
	$\frac{3}{4}$ -10 Hex Jam Nut10
	$\frac{1}{4}$ -20 Wing Nut04
	$\frac{3}{8}$ -16 x 1 $\frac{1}{4}$ " Leg Bolt (Tub. Legs)06
	$\frac{3}{8}$ -16 x 2 $\frac{3}{8}$ " Leg Bolt (Metal Legs)12
	$\frac{3}{8}$ -16 x 4" Light Box Mounting Bolt14
	8/32 x $\frac{1}{2}$ Allen Head Cap Screw	8.10 C
	8/32 x $\frac{1}{4}$ Socket Screw	7.62 C
	8/32 x $\frac{1}{4}$ Hex Head Set Screw09
	$\frac{1}{4}$ -20 x 1 Socket Head Screw08
	$\frac{1}{4}$ -20 x 1 $\frac{1}{2}$ Socket Head Screw08
8A-7024	$\frac{3}{8}$ x 1 x 1/16 Leg Bolt Washer	1.00 C
	7/16 x 1 x 1/16 Flat Washer	1.40 C
20A-6514	Speed Nut04
20A-6530-A	1/16 x 1 Cotter Pin75 C
20A-8695	1/16 x $\frac{5}{8}$ Cotter Pin50 C
20A-8715-40	5/16 x $\frac{5}{8}$ x 1/16 St. Washer	1.00 C
20A-8715-47	$\frac{3}{8}$ x $\frac{3}{4}$ x 1/16 St. Washer	1.00 C
20A-8716-6	$\frac{1}{8}$ x $\frac{1}{2}$ Roll Pin02
20A-8716-7	$\frac{1}{8}$ x $\frac{5}{8}$ Roll Pin03
	$\frac{1}{4}$ x $\frac{1}{2}$ x 1/16 St. Washer	1.40 C
20A-8733	Thumb Screw10
	3/16 x 2 $\frac{1}{2}$ " Carriage Bolt06
	3/16 x 3" Carriage Bolt06
	3/16 x 5" Carriage Bolt10
	#10 x 4" F. H. Ph. W. S.10
	#10 Finishing Washer02
	10/32 x 1 $\frac{1}{4}$ Winged F.H.M.S.04
	10-32 Elastic Stop Nut02
	8-32 x $\frac{1}{4}$ Set Screw02

PRICE LIST

Arranged In Numerical Order

Part No.	Description	Price	Part No.	Description	Price
1B-8-189	Bracket	\$.18	1A-2259	Bell Mounting Bracket	.45
1B-8-508	Coil Bracket	.18	1A-2299	Coin Lockout Armature	.60
1B-8-508T	Coil Bracket	.20	1A-2384	Switch Cover	.16
1A-15	Switch Cover Plate - Steel	.03	1A-2464	Switch Bracket - Ten Strike	.15
1A-96	Switch Limit Bracket	.15	1A-2484	Front Moulding (Specify Ten Strike or Ten Pins)	3.50
1A-322	Flipper Base	.10	1B-2499	Bumper Slide Bracket	.60
1A-335	Flipper Stop Bracket	.30	1A-2503	Bumper Stop	.50
1A-389B	Tilt Wire Bracket	.10	1A-2505	Disap. Jet Bumper-Spacer Plate	.25
1A-482	Rebound Bracket	.20	1A-2528	Motor Mounting Bracket	.80
1A-524	Roll Tilt Bracket	.60	1D-2530	Pitcher Unit Plate	1.50
1A-600	Mounting Bracket	.45	1A-2531	Ball Guide Rail	1.30
1A-916B	Fibre Spacer 3/32	.03	1A-2532	Ball Guide Rail	1.20
1A-916L	Fibre Spacer 1/16	.02	1A-2546	Cover Mounting Bracket	.50
1A-916RA	Switch Spacer - Aluminum	.04	1B-2571	Ball Lift Arm	1.75
1A-916T	Fibre Spacer 1/32	.02	1B-2572	Ball Stop	.75
1A-941	Latch Relay Mounting Plate	.70	1B-2573	Ball Guide	1.00
1A-954	Jet Bumper Armature Link	.14	1A-2591	Cash Box Divider 2 1/2" deep	.20
1A-979A	Collector Ring Insulator	.10	1A-2591-1	Cash Box Divider 4 1/2" deep	.20
1A-1101	Switch Bracket	.15	1B-2726	Back Stop	1.00
1B-1178	Large Bell	1.60	1A-2735	Insulator Coin Lockout	.06
1A-1179A	Bell Shell 3 3/8"	.95	1A-2739	Return Cup Baffle	.20
1B-1192	Link	.30	1B-2740	"E" Relay Frame	.78
1A-1231	Jet Bumper Armature Link Fibre	.25	1B-2746-1	"E" Relay Mounting Bracket (Single)	.50
1C-1241-1	Metal Shield 3-15/16" Centers	\$.35	1B-2746-2	"E" Relay Mounting Bracket (Dbl.)	.70
1C-1241-16	Metal Shield 3" Centers	.35	1A-2747	"E" Relay Backing Plate- Upper Break	.12
1C-1241-17	Metal Shield 4 1/2"	.40	1D-2759-5	Metal Door Frame (Single Chute)	1.50
1C-1241-21	Metal Shield 6" Centers	.45	1D-2759-6	Metal Door Frame (Twin Chute)	1.50
1C-1241-28S	Metal Shield 2 1/8" Centers	.30	1B-2760-2	Coin Entry Plate (10c)	.40
1C-1241-29	Metal Shield 4 5/8" Centers	.40	1B-2760-3	Coin Entry Plate (5c)	.40
1C-1241-30	Metal Shield 3 1/8" Centers	.35	1B-2760-4	Coin Entry Plate (25c)	.40
1C-1241-33	Metal Shield 4" Centers	.35	1A-2768	Hole Deflector (Official Baseball)	.50
1C-1241-43	Metal Shield 5 1/2" Centers	.40	1A-2770-2	Collector Ring Insulator	.16
1C-1241-44	Metal Shield 2 1/2" Centers	.30	1A-2771	Collector Ring	.16
1C-1241-45	Metal Shield 2 3/4" Centers	.30	1A-2785	Turntable Plate (Under Playfield)	.60
1C-1241-46	Metal Shield 4 1/4" Centers	.40	1A-2795	Pitcher Cup	.50
1C-1241-47	Metal Shield 2 1/4" Centers	.30	1A-2803	Pitcher Arm Stop Bracket	.16
1A-1248	Switch Cover Plate	.03	1A-2813	Clutch Washer	.06
1A-1354	Ball Gate	.35	1A-2819	Relay Frame	1.00
1C-1538	Screened Reel	2.75	1A-2847-1	Flipper Link	.20
1A-1628	Stop Bracket	.40	1A-2847-2	Flipper Link	.20
1A-1747	Coil Retaining Bracket	.35	1B-2851	Upper Arch (Bottom Plate)	2.00
1A-1789	Armature Link	.25	1C-2852	Upper Arch (Top Plate) specify game	\$3.00
1A-1792	Coil Bracket	.25	1C-2862	Shelf Trim (Top)	1.40
1A-1834	Coil Bracket	.35	1D-2887	Right Side Moulding (Stain Steel)	9.50
1A-1860	Cigarette Holder	.40	1D-2887-1	Right Side Moulding Stainless Steel (Baseball)	9.50
1A-1900	Cigarette Holder	.40	1D-2888	Left Side Moulding (Stain Steel)	9.50
1A-1920	Coin Switch Mounting Plate	.40	1D-2888-1	Left Side Moulding Stainless Steel (Baseball)	9.50
1B-1921	Coin Switch Bracket	1.00	1B-2892	Rear Moulding Bottom Plate	2.65
1A-1929	Armature Link	.15	1B-2893	Rear Moulding Top Plate (Stainless Steel)	4.50
1E-1936	Ball Hole Deflector	2.50	1B-2894	Cabinet Front Armor	.55
1A-2000	Wiper Blade	.05	1A-2897	Hinge Bracket	.30
1A-2005-1	Switch Spacers Bakelite 1/16	.03	1A-2898	Reset Pivot Mntg. Brk't.	.65
1A-2005-2	Switch Spacers Bakelite 1/32	.02	1A-2901	Latch Plate	.60
1A-2005-3	Switch Spacers Bakelite 3/32	.03	1A-2914	Coin Chute Bracket	.20
1A-2005-4	Switch Spacers Bakelite 1/64	.02	1A-2924	Bell Mounting Bracket	.25
1A-2028	Mounting Plate	.35	1A-2926	Drive Stop Bracket	.20
1A-2028-1	Mounting Plate	.35	1A-2928	Adjustable Stop Bracket	.20
1B-2034-1	Ball Trough Track Channel	.80	1A-2931-L	Frame Mounting Bracket	.35
1A-2048	Switch Cover Plate	.04	1A-2931-R	Frame Mounting Bracket	.35
1A-2053A	Coil Mounting Bracket	.45	1A-2949	Panel Support (Batting Champ)	.20
1B-2055	Relay Bank Cover Specify Number of Relays)	1.00			
1A-2098	Wiper Blade	.05			
1A-2139	Steel Hole Guard	.20			
1A-2238-1	Coin Entry Plate (Specify 5c or 10c)	.70			
1B-2242	Target Selector Channel	.30			

Part No.	Description	Price	Part No.	Description	Price
1A-2950	Coin Chute Adaptor	.60	2A-2811	Hinge Shoulder Stud	.18
1A-2961	Insert Hinge (Male)	.30	2A-2816	Track	1.00
1A-2962	Insert Hinge (Female)	.30	2A-2818	Belt Coupler	1.20
1A-2994	Track Bracket	.20	2A-2823	Steering Crank Collar	.45
1A-3013	Thumb Screw Bracket	.30	2A-2826	Steering Crank Collar	.40
1B-3014	Locking Latch (Top Section)	.25	2A-2827	Drum Shaft	.18
1A-3015	Ball-Lift Deflector	.30	2A-2831	Commutator Bushing	.70
1A-3022	Coin Deflector	.30	2A-2921	Shaft Coupling	1.00
1A-3026	Rear Moulding Stainless Steel	7.50	2A-2924	Swinging Target Shaft	.35
1A-3203	Flipper Stop Bracket	.30	2A-2927	Lock Adjusting Screw	.16
1A-3206	Ball Gate	.30	2A-2930	Guide Lock Nut	.14
1A-3239	Coil Mounting Bracket	.35	2A-2931	Wiper Bushing	.08
1A-3240	Chime Bar	.25	3A-102	Plastic Bat	2.50
1A-3241	Mercury Tilt Switch Bracket	.50	3A-6000	Small Plastic Post	.10
1A-3248	Snowshoe Wiper Blade	.05	3A-6001	Large Plastic Post	.14
1A-3251	Trip Relay Armature (new interlock)	.35	3A-6003	Large Rollover Guide	.08
2A-2051	Reset Coil Plunger	.60	3A-6004	Medium Rollover Guide	.08
2A-2080A	Flipper Shaft	.14	3A-6005	Small Rollover Guide	.07
2A-2129	Ball Lift Tip	.25	3A-6007L	Plastic Flipper-large 'F' - spe. color	.20
2A-2143	Switch Pin	.18	3A-6007R	Plastic Flipper-small 'f' - spe. color	.20
2A-2306-3	Commutator Pin	.05	3A-6008	Jet Bumper Body	.22
2A-2308	Insulator Bushing	.80	3A-6009A	Jet Bumper Base	.14
2A-2364	Solenoid Plunger	.60	3A-6013	Nylon Plunger	.10
2A-2384	Flipper Button Bushing	.40	3A-6014	Nylon Flipper Bushing	.30
2A-2387-A	Pivot Screw	.16	3A-6015C	Eject Hole Shield	.12
2A-2476	Spring Stud	.10	3A-6016	Small Rollover Button	.10
2A-2525-A	Flipper Button	.50	3A-6018	Sprocket	.50
2A-2527	Jet Bumper Solenoid Plunger	.55	3A-6020	Bumper Cap (plain) (round)	.14
2A-2559	Armature Pin	.20	3A-6020	Bumper Cap (lettered)	.18
2A-2572	Coin Reject Plunger	.20	3A-6021A	Bumper Assembly - wafer with plastic stem, less rubber ring & socket	1.00
2A-2573	Actuating Arm Shaft	\$.20	3A-6022-2	Switch Blade Lifter 1/16	.04
2A-2574	Spacer	.15	3A-6022-3	Switch Blade Lifter 3/32	.04
2A-2577	Roller Stud	.20	3A-6022-4	Switch Blade Lifter 1/8	.04
2A-2578	Roller	.25	3A-6022-5	Switch Blade Lifter 5/32	.04
2A-2587	Armature	.60	3A-6022-6	Switch Blade Lifter 3/16	.04
2A-2589-1	Wiper Bushing	.08	3A-6022-7	Switch Blade Lifter 7/32	.04
2A-2597-2	Ratchet Shaft (Resetting Type)	.50	3A-6022-8	Switch Blade Lifter 1/4	.04
2A-2597-2A	Ratchet Shaft (Replay Unit)	.50	3A-6022-9	Switch Blade Lifter 9/32	.04
2A-2610-1	Ratchet Shaft (Non-Resetting Type)	.40	3A-6022-10	Switch Blade Lifter 5/16	.04
2A-2640	Target Arm Contact Point	.16	3A-6022-11	Switch Blade Lifter 11/32	.04
2A-2642	Rifle Pivot Tube	5.00	3A-6022-12	Switch Blade Lifter 3/8	.04
2A-2647	Pivot Shaft	.20	3A-6032	Amber Sleeve	\$.02
2A-2648	Yoke Hinge Pin	.16	3A-6035	Jet Bumper Wafer-plastic stem	.22
2A-2652	Front Sight	.50	3A-6040	Jet Bumper Cap-sunburst edge, colored rim, white insert	.40
2A-2657	Shoulder Screw	.18	3A-6040	Jet Bumper Cap, sunburst edge, colored rim, white insert (let.)	.45
2A-2670	Relay Bank Reset Plunger	.70	3A-6048-6	3/8" Plastic Cable Clamp	.08
2A-2674	Reset Arm Post	.30	3A-6056	Bumper Wafer Plastic Stem	.22
2A-2676-1	10 Step Unit Solenoid Plunger	.60	3A-6085	Drive Crank	.20
2A-2689	Lever Pivot Stud	.70	3A-6086	1 1/2# Catalin Ball Specify Color	1.00
2A-2697	Arm Activating Shaft	.72	3A-6091	Target Plastic 1 1/8" dia.	.20
2A-2709	Brass Tubing for Coil AS-20-900	.80	3A-6091-A	Target Plastic 1" dia.	.20
2A-2710	Bowling Pin Base	.30	3A-6092	1" Plastic Insert (Playfield)	.10
2A-2711-1	Mannikin Arm-Shaft Bearing (Short)	.50	3A-6095	3/4" Plastic Insert (Playfield)	.07
2A-2711-2	Mannikin Arm-Shaft Bearing (Long)	.70	3A-6097	R. O. Button Holder 1-3/16"	.26
2A-2716	Bumper Spacer	.15	3A-7006	Switch Tubing for 'M' Relays (Specify Length)	.04
2A-2717	Spring Stud	.15	3A-7007	Switch Tubing (Specify Length)	.04
2A-2721	Stop Dog Stud	.20	3A-7023	Acetate Cover (Service Call)	.04
2A-2723	Stop Dog Pin	.20	3A-7024	Acetate Score Card Cover	.06
2A-2725	Pitcher Unit Shaft	.60	3A-7030	Plexiglass Hood Ten Strike & Ten Pin	35.00
2A-2731	Bat Handle Lever	2.50	3A-7034-1	Plastic Lite Hood 1 1/2" (Double Apron) specify color	.16
2A-2732	Stop Adjustment	.20	3A-7035	Plastic Lite Hood 2 1/8" (Dbl. Apron)	.16
2A-2741	Solenoid Tube Only (Brass)	.50	3A-7036	Plastic Lite Hood 2 1/8" (Sgl. Apron)	.18
2A-2746	Spring Stud	.10	3A-7037	Plastic Lite Hood 1 1/2" (Sgl. Apron)	.18
2A-2749	Track Spacer	.40			
2A-2756	Gun Bolt Plug	.50			
2A-2767	Drive Coil Plunger	.60			
2A-2770	Reset Coil Plunger 50 Step Unit	.60			
2A-2775	Turntable Driven Coupler	.75			
2A-2776	Turntable Drive Coupler	.75			
2A-2799	Bat Shaft	1.00			

Part No.	Description	Price	Part No.	Description	Price
3A-7037	Plastic Lite Hood Single Apron Lettered	.24	5A-8705	Contact Point ('E' Relay only)	.04
3A-7040	Plastic Pin (Ten Strike & Ten Pins)	.70	5A-8711	Mercury Tilt Switch	.60
3A-7044	Plastic Bumper Cap (Disappearing Jet Bumper)	.40	5A-8713	.75 Amp Slo Blo Fuse	.30
	Lettered	.45	5A-8714	1.6 Amp Slo Blo Fuse	.28
3A-7050	Plexiglass Hood (Jumbo Ten Strike)	45.00	6-A-14	Fishpaper Blade	.03
3A-7051	Curved Acetate for Short Stop	9.50	6-A-14-B	Fishpaper Blade	.04
3B-7056	Plastic (Panel Light) Space Glider	.50	7A-6679	1/8 x 1/2 Steel Rivet	.03
3B-7062	Ball Ramp	1.20	7-6689-1A	Rivet for Contact Disc Middle Row	\$.02
3C-7063	Home Run Plastic for Pinch Hitter	4.00	7-6689-2A	Rivet for Contact Disc Outer Row	.02
3A-7065	Bushing-Kick Off Plunger	.30	7-6689-3A	Rivet for Contact Disc Inner Row	.02
3A-7066	Coil Sleeve	.20	8A-7025-A	Leg Leveler	.30
3A-7066-1	Coil Sleeve	.20	8A-7025-B	Leg Leveler Nut	.06
3A-7066-2	Coil Sleeve	.20	8C-7031-L	Left Side Moulding	6.50
3A-7067	Coil Sleeve	.20	8C-7031-R	Right Side Moulding	6.50
3A-7067-1	Coil Sleeve	.20	8B-7032	Front Shelf Trim	1.40
3A-7068	Coil Sleeve	.20	8B-7034	Glass Channel	1.50
3C-7070	Cam & Ratchet Hub	.40	8A-7114	Screened Display Glass (Road Racer)	23.00
3A-7078	Plastic Light Shield 6" x 12"	1.00	8A-7115	Mirror (Road Racer)	12.00
3A-7079	Plastic Light Shield 4 1/2" x 5 1/4"	.55	9A-6561-A	Coin Return Cup	\$ 2.50
3D-7080	Super Home Run Plastic (Batting Champ)	4.50	9A-7542	10c Duplex Coin Chute	18.00
3C-7080-1	Super Home Run Plastic (Extra Inning - 1962 World Series)	4.50	9A-7544	ABT 10c Push Chute	19.00
3A-7081	Rail Insert (Plastic)	.06	9A-8529	10c Slug Rejector	8.00
3A-7082	Plexiglass Window	4.75	9A-8551	5c Slug Rejector	8.00
3B-7083-K	Plastic Shields (set)	6.80	9A-8552	25c Slug Rejector	8.00
3B-7083-R	Plastic Shields (set)	6.80	9B-8561-2	10c Coin Entry Plate	.40
3B-7083-DB	Plastic Shields (set)	6.80	9B-8561-3	5c Coin Entry Plate	.40
3B-7083-SB	Plastic Shields (set)	6.80	9B-8561-4	25c Coin Entry Plate	.40
3B-7083-TS	Plastic Shields (set)	6.80	9A-8608	25c Coin Chute	12.00
3A-7086	Regular Bumper Body	.22	9A-8621	All Foreign Slug Rejectors	12.00
3A-7087	Insulator Bushing	.30	10A-1B	ABT 5c Duplex Push Chute	28.00
3B-7100	Plastic Shields (set)	6.80	10A-2C	Drive Spring	.10
3B-7102	Plastic Shields (set)	6.80	10A-5	Torsion Spring	.40
3B-7103	Plastic Shields (set)	6.80	10A-7	Reset Arm Spring	.05
3B-7104	Plastic Shields (set)	6.80	10A-9	Bumper Spring	.05
3B-7105	Plastic Shields (set)	6.80	10A-10	Stop Dog Spring	.05
3B-7106	Plastic Shields (set)	6.80		Relay Bank Reset Spring (over 8 coils)	.10
3B-7107	Plastic Shields (set)	6.80	10A-14	Relay Flap Spring (Heavy)	.05
3B-7108	Plastic Shields (set)	6.80	10A-15	Relay Flap Spring (Light)	.05
3B-7109	Plastic Shields (set)	6.80	10A-20	Lock Arm Spring	.06
3B-7110	Plastic Shields (set)	\$6.80	10A-38	Lift Spring	.05
3B-7113	Plastic Shields (set)	6.80	10A-53	Bat Handle Spring	.10
5A6134-A	4 Clip Fuse Block	1.20	10A-55	Spring	.05
5A-6134-C	1 Clip Fuse Block	.30	10A-55A	Spring	.05
5A-6171	5 Clip Fuse Block	\$1.35	10A-63	Ball Guide Spring (Long)	.25
5A-6183	Insulmated Jumper Wire Specify Red or Black	.16	10A-63A	Ball Guide Spring (Short)	.15
5A-6507	5 Amp Fuse	.06	10A-66	Relay Bank Reset Spring	.10
5A-6508	10 Amp Fuse	.05	10A-93	Chain Connecting Spring	.05
5A-6509	20 Amp Fuse	.05	10A-94	Friction Drive Spring	.07
5A-6522-2	Solder Lug	.03	10A-96	Relay Armature Spring	.05
5A-6541-A	Contact Point (Small Regular)	.03	10A-101-1A	Drive Spring	.10
5A-6541-B	Contact Point (Small-for 'M' switches)	.03	10A-101-2B	Torsion Spring	.40
5A-6567	15 Amp Fuse	.05	10A-101-2C	Torsion Spring	.40
5A-6569	1 Amp Slo Blofuse	.30	10A-101-4	Reset Armature Spring	.05
5A-7518	2 Amp Slo Blo Fuse	.28	10A-101-5	Lock Arm Spring	.05
5A-7565-A	Contact Point (10 Step Contact Finger)	.03	10A-102	Index Pawl Spring	.06
5A-7603	Contact Point (Large-Regular)	.04	10A-105	Kicker Spring	.10
5A-8591	Solder Lug	.03	10A-120	Relay Armature Spring	.05
5A-8630	Contact Point (Large - for 'M' switches)	.04	10A-121	Shooter Coil Spring	.10
5A-8663	3 Amp Slo Blo Fuse	.28	10A-123-D	Drive Spring	.10
			10A-127	Flipper Spring (Right)	.50
			10A-128	Kicker Spring	.06
			10A-134	Torsion Spring	.15
			10A-135	Jet Bumper Spring	.06
			10A-136	Flipper Spring (Left)	.50
			10A-139	Spring-Coin Lockout Coil	\$.08

Part No.	Description	Price	Part No.	Description	Price
10A-145	Spring	.10	14A-7739-C	Pitcher Unit Motor (Off. Baseball)	12.00
10A-147-1	Wiper Spring	.03	14A-7740-50	Swinging Target Motor	7.00
10A-148-1	Ball Shooter Spring	.14	14A-7741	Drum Unit Motor (Road Racer)	15.00
10A-149	Shooter Rod Spring, short	.16	14A-7744-A	Pitcher Motor 1962 World Series and Extra Inning	\$15.00
10A-155	Contact Assembly Spring	.07	14A-7745	New Swinging Target Motor	10.50
10A-156	Kicker Spring	.20	14A-7746	Score Motor (5 ball type) 24 volts	10.00
10A-162	Ball Lift Spring	.10	14A-7747	Score Motor (5 ball type) 50 cycle - 24 volts	12.00
10A-164	Compression Spring	.10	14A-7748	Disappearing Jet Bumper Motor 24 volts	12.00
10A-165	Ball Release Spring	.20	14A-10794	Timer Motor Used on Road Racer - Voice-O-Graph	7.00
10A-167	Arm Return Spring (no drawing)	.20	15A-6764-X1	Standard Transformer	12.00
10A-171	Spring	.35	15B-6767-50	50 Cycle Transformer	18.00
10A-172	Pitcher Spring	.35	15A-6768	Transformer (Bouncing Ball Gun Games)	14.00
10A-173	Compression Spring	.05	15A-6771	Transformer (all 5 ball type games) 24 volts	\$14.00
10A-174	Lift Arm Spring	.20	15A-6772	Transformer (all 5 ball type games) 50 cycle - 24 volts	20.00
10A-175	Push Rod Spring	.15	20A-6179	Cord Retainer	.04
10A-178	Pitcher Torsion Spring	.35	20A-6385	Plastic Shake Bottle	2.00
10A-179	Armature Spring	.05	20A-6403	Rubber Ball (7-set)	1.50
10A-182	Torsion Spring (Official Baseball)	.35	20A-6500	1-1/16 Steel Ball Pin Games)	.60
10A-183	Extension Spring	.05	20A-6502-A	Carbon Plumb Bob	.55
10A-184	Bat Handle Spring	.10	20-6505	Drive Nails	\$.02
10A-194	Ball Gate Spring (Playboard)	.05	20A-6512	Electric Counter	4.50
10A-197	Wiper Spring	.06	20A-6514	Tinnerman Speed Nut	.04
10A-199	Drop Target Spring	.08	20A-6516	Tinnerman Speed Nut	.03
11C-111	Turntable Disc. (Top)	4.50	20A-6518	7/8" Steel Ball (B.B. Games)	.40
11C-141-C	Covered Rail (90" Pool Table)	8.00	20A-6519	15/16 Steel Ball	.50
11C-141-1C	Covered Rail End (75" Pool Table)	7.10	20A-6520	3/4" Steel Ball Off. B.B.)	.40
11C-142-C	Covered Rail Right (90" Pool Table)	8.00	20A-6529	Horse Chain	.50
11C-142-1C	Covered Rail Right (75" Pool Table)	7.10	20A-6529-1	Drive Chain	.20
11C-143-C	Covered Rail Left (90" Pool Table)	8.00	20A-6542	Front Door Lock (2 Keys)	1.75
11C-143-1C	Covered Rail Left (75" Pool Table)	7.10	20A-6542-W	Cash Box Lock	1.75
11D-154	Front Moulding Baseball less Hardware	\$6.00	20A-6543	Back Door Lock (2 Keys)	1.75
11B-159	Chime Box (wood)	1.40	20A-6559	Thrust Bearing	.75
12A-6223	Hair Pin Clip	.04	20-7534	2 1/8" Red Balls	3.00
12A-6225	Hair Pin Clip	.04	20-7535	2 1/8" White Balls	3.00
12A-6226	Hair Pin Clip	.04	20A-7537	Billiard Chalk	.08
12A-6227	Hair Pin Clip	.04	20A-7538	48" Cue Stick (75" Pool Table)	4.00
12A-6230	Key Hook	.10	20A-7539	Chalk Holder	.15
12A-6231	Tilt Bob Wire	.08	20A-7540	Chalk Cord	.08
12A-6232-B	Plum Bob Ring	.20	20A-7550	Felt Washer (Horse Unit)	.06
12A-6244	R. O. Button Fasteners	\$.05	20A-7551	Friction Washer (Leather) Horse U.	.06
12A-6267	Snap - On Cotter Key	.04	20A-7569	57" Cue Stick (90" Pool Table)	7.30
12A-6285	Ball Trough R.O. Wire (Playfield)	.16	20-7589	Number Segment	.56
12A-6285-A	Ball Trough R.O. Wire (cab. trough)	.16	20C-7595	Screened Reel (Specify Game and Unit)	2.75
12A-6285-B	Ball Trough R.O. Wire (cab. trough)	.16	20A-8525	Coin Switch & Wire	3.00
12A-6295	Roll Over Wire	.16	20-8582	Plexiglass Roll-A-Ball	30.00
12A-6302	R. O. Wire (Baseball)	.12	20A-8590	Drive Pawl Stop	.35
12A-6306	Ground Wire	.10	20E-8597	Rifle Ass'y. (Complete)	86.50
12A-6314	Steering Link	.32	20E-8597-1	Rifle Stock	20.00
12A-6316	Ball Gate Wire	.16	20E-8597-2	Rifle Barrel	17.50
12A-6319	Ball Gate Wire (Playboard)	.16	20B-8597-3	Rifle Bolt	5.00
12A-6516	Speed Nut	.03	20A-8597-4	Rear Sight	1.50
14A-6716	Motor (Horse Unit) Reversible	15.00	20A-8597-5	Butt Plate	1.50
14A-6724-A	Motor Man Running Unit	12.00	20B-8597-6	Rifle Bolt Housing	6.00
14A-6734	Target Motor Safari-Polar Hunt	12.00	20A-8603	Marker Button (Set-20 Blk. - 20-Wht.)	1.25
14A-6736	Swing Target Motor	12.00	20A-8605	1 - Set Peas (1 to 15)	1.20
14A-6738-A	Score Motor	10.00	20B-8617-A	Slate Top 35 1/4" x 67 1/2" (75" Pool Table)	82.00
14A-6738-A-50	Score Motor 50 cycle	12.00	20A-8617-B	Slate Top 43" x 83" (90" Pool Tbl.)	119.00
14A-7704	Pitcher Motor 4 bagger	12.00	20A-8618	2 1/4" Ball (1 to 15)	3.70
14A-7722	Score Motor	12.00	20A-8618-C	2 3/8" White Cue Ball	4.00
14A-7723	Pin Reset Motor	12.00			
14A-7724	Ball Lift Motor	12.00			
14A-7726-A	Pitcher Unit Motor	12.00			
14A-7731-A	Search Unit Motor	12.00			
14A-7732-A	Score Motor (Ball Gun Games)	10.00			
14A-7735-A	Disap. Bumper Motor	10.00			
14A-7735A-50	Disap. Bumper Motor - 50 Cycle	12.00			
14A-7736-A	Score Motor (Titan Gun)	10.00			
14A-7737	Gear Motor Turntable	12.00			

Part No.	Description	Price	Part No.	Description	Price
20A-8619	Triangular Ball Rack	3.00	22A-105-2	Left Side Scenery	7.50
20A-8622	Coin Lockout Coil	1.50	22A-105-3	Right Side Scenery	7.50
20A-8628	500 OHM 10 Watt Resistor	.35	23A-6300	5/16" Rubber Ring	.05
20A-8629	500 OHM 7 Watt Resistor	.35	23A-6301	3/4" Rubber Ring	.06
20A-8640	Pinion Gear	3.00	23A-6302	1" Rubber Ring	.07
20A-8641	Pin Magnet	1.00	23A-6303	1 1/4" Rubber Ring	.08
20A-8643	Nylon Cord Only	.10	23A-6304	1 1/2" Rubber Ring	.08
20A-8646	1 1/4" Steel Ball (Ten Strike)	1.50	23A-6305	2" Rubber Ring	.10
20A-8650-10	Taper Pin for Pinion Gear	.04	23A-6306	2-5/16" Rubber Ring	.14
20A-8650-12	Taper Pin for Solenoid Crank Ass'y	.04	23A-6307	2 7/8" Rubber Ring	.16
20A-8650-20	Taper Pin Arm & Gear Assy.	.05	23A-6308	3 3/8" Rubber Ring	.18
20A-8652	Rheostat (10 Strike & 10 Pins)	6.24	23A-6309	3 7/8" Rubber Ring	.20
20-8663	Door Buzzer	2.44	23A-6310	5" Rubber Ring	.30
20A-8664	Rheostat	6.24	23A-6311	5/16" Jumbo Rubber Ring	.05
20A-8673	Horse Assy. (Turf Champ)	2.00	23A-6312	Rubber Bumper	.15
20B-8689-1	Ball Ramp (Metal)	.50	23A-6313	Rubber Bumper	.10
20A-8702	Curve Magnet Coil	3.50	23A-6313-1	Rubber Grommet (Drop Target)	\$.04
20C-8709	Tubular Leg	5.50	23A-6314	Rubber Bumper	.03
20-8710	Curved Blue Spring Washer	.02	23A-6316	Large Rebound Rubber	.30
20A-8712-15	E - Ring	.02	23A-6319	Rubber Grommet	.03
20A-8712-18	E - Ring	.03	23A-6322	Arch Rubber	Ft. .20
20A-8712-21	E Retaining Ring	.03	23A-6323	Bat Sleeve	.25
20A-8712-25	Tru-Arc Retaining Ring	.04	23A-6327	Shooter Tip	.08
20A-8712-37	E Retaining Ring	.05	23A-6332	Dead Rubber Ring for Plastic Bump.	.07
20A-8713-25	C Ring Fastener	.08	23A-6350	Idler Wheel	2.00
20A-8713-31	Tru-Arc Ring	.05	23A-6359	Live Rubber Ring for Plastic Bump.	.07
20A-8713-37	C Ring Fastener	.06	23A-6372	Rubber Bumper	.10
20A-8713-75	C Ring Fastener	.12	23A-6406	Rubber Grommet	.03
20A-8715-35	Blue Spring Steel Washer	.02	23A-6408	Rubber Bumper	.06
20A-8715-36	Washer	.02	23A-6410	Rubber Rail (Pool Table)	1.09 ft.
20A-8715-71	Flat Washer	.02	23B-6411	Rubber Corner Pocket	2.00
20A-8716-6	Roll Pin	.02	23B-6412	Rubber Side Pocket	2.00
20A-8718-1	C Ring	.05	23B-6413	Gully Boot (Rubber)	2.40
20A-8718-3	C Ring	.06	23A-6414	Rubber Grommet	.03
20B-8719	Glass Channel	1.50	23A-6420	Rubber Grommet (Relay Mtg. etc.)	.04
20B-8719-1	Glass Channel Baseball	1.50	24A-6404	Playfield Socket Long Stand-up)	.10
20A-8720	Cash Box	.68	24A-6405	Socket 10 Step Unit	.10
20A-8721	Rail Cloth 5" x 41"	1.50	24A-6409-A	Insert Light Socket	.10
20A-8721-1	Rail Cloth 5" x 34 1/4"	1.30	24A-6416	Bumper Socket	.10
20A-8722	Drawer Lock	1.75	24A-6431	Light Socket 115V	.30
20A-8723	Slate Cloth 47" x 87"	31.00	24A-6436	Playfield Socket	.10
20A-8723-1	Slate Cloth 39" x 71 1/4"	26.00	24A-6437	2 Prong Wafer Socket	.15
20A-8725	1/4" x 45" Leather Belt	2.20	24A-6549	#44 Bulb	.12
20A-8726	1/4" Dia. Leather Belt 42"	5.20	24A-6550	#55 Bulb	.12
20A-8728-R	Automobile	1.20	24A-6551	#63 Bulb	.20
20D-8729-R	Steering Wheel	14.00	24A-6552	#40 Bulb	.12
20A-8731	Ball Race	1.70	24A-6582	Playfield Socket (Short Stand Up)	.12
20A-8732	Nut Retainer	.10	24A-6583	25 W 115V Std. White	.70
20A-8734	Coin Switch Wire	.15	24A-6584	100 W 115V Red Bulb	1.40
20A-8735	Coin Wire Retainer	.04	24A-6585	15W 115V White Bulb	.80
20A-8757	Electric Counter (24 volts)	4.50	24A-6587	Light Socket (insert)	\$.10
21C-102	Trigger Housing Assembly	15.00	24A-8667	2 Prong Ligh Bulb (Dis.) (Bumper)	.20
21B-103	Gun Mounting Flange	9.00	A-22-550	Drop Target Coil (24 volt)	\$1.95
21B-104	Ball Type Pivot Joint	7.00	A-22-600	Coil (24 volt)	1.95
21A-105	Trigger	.50	A-23-600	Coil (24 volt)	1.95
21A-112	Pitcher Figurine	.80	A-23-650	Step Up Coil (24 volt)	1.95
21A-113	Umpire Figurine	.80	A-25-950	Drive Coil	1.60
21A-114	Catcher Figurine	.60	A-26-1100	Drive Coil	1.95
21A-115	Fielder Figurine	.60	A-26-1350	Ball Release Coil (24 volt)	1.95
21A-117R	Drum Mounting Hub (Road Racer)	\$.60	A-27-1650	Eject Coil	1.95
21A-118	4" Pulley - 5/8 Hole	1.60	A-30-2700	Ball Release Coil	2.10
21A-118-1	4" Pulley - 3/8 Hole	1.60	A1-26-1100	Ball Shooter Coil	1.95
21A-119	Drum Motor Pulley	.80	A2-23-750	Knocker or Bell Coil (24 volt)	1.95
21A-120	1 1/2" Pulley 5/16 Hole	.60	A2-26-1100	Coil	1.95
21B-6596	Front Moulding Casting (L.H.)	1.20	A2-26-1350	Bell Coil	1.95
21B-6597	Front Moulding Casting (R.H.)	1.20	A3-25-950	Target Hole Coil (Guns)	1.95
21D-6599	Chrome Corners Pool Table	15.00	AS-20-900	Mannikin Coil	2.50
22A-105	Indicator Dial	3.00			
22A-105-1	Front Scenery	7.50			

Part No.	Description	Price	Part No.	Description	Price
B-26-800	Reset Coil (24 volt)	1.70	A-4680-1	Stop Dog Assembly	1.20
B-29-1600	Reset Coil	1.70	A-4681	Stop Dog Assembly	1.20
C2-26-800	Chime Coil (24 volt)	1.70	A-4682	Stop Dog Assembly	1.20
C-28-1100	Knocker Coil (Old Type)	1.70	B-4683-A	Main Frame Assembly	2.00
D-22-1150	Relay Bank Reset Coil	2.20	A-4689	Driven Arm Assembly (Specify Name of Game)	.80
D-24-1150	Relay Bank Reset Coil	2.20	A-4690	Drive Arm Assembly	.75
D-24-1400	Relay Bank Reset Coil	2.20	A-4691	Bat & Shaft Assembly	1.60
D-24-1600	Relay Bank Reset Coil	2.20	A-4722	Contact Finer Assembly	.40
DU-23-740	Drum Unit Coil (24 volt)	1.95	A-4722-A	Contact Finger Assembly (Left Arm Cut Off)	.40
DU-26-1350	Coil	1.95	A-4722-B	Contact Finger Assembly (Right Arm Cut Off)	.40
E-32-1800	"E" Relay Coil	1.60	A-4703	Index Pawl Assembly	.30
E-33-2500	"E" Relay Coil	1.60	A-4705	Cam Follower	.15
FL21-28	Flipper Coil (24 volt)	2.20	A-4708	Coil Stop Assembly	.45
FL-25-31	Flipper Coil	2.20	A-4708-B	Coil Stop Assembly (Brass)	.75
G22-550	Jet Bumper Coil (24 volt)	1.95	A-4723	Flipper Assembly	.55
G23-650	Kicker Coil (24 volt)	1.95	B-4724	Roll Tilt Assembly	2.80
G23-750	Kicker Coil (24 volt)	1.95	B-4729	Carbon Plumb Bob Assembly	.94
G24-850	Ball Eject Coil (24 volt)	1.95	A-4735	Stationary Target Assembly	1.35
G-25-1100	Coil	1.95	A-4741	Rebound Assembly	.55
G-26-1400	Kicker Coil	1.95	A-4744	Bumper Switch Blade	.26
G1-25-1100	Disappearing Bumper Coil	1.95	A-4744-1	Target Switch Blade	.26
GK-23-1600	Kicker Coil	2.50	A-4744-2	R.O. Button Switch Blade	.26
H-22-700	Bat Coil (Official Baseball)	2.20	A-4744-3	R.O. Button Switch Blade	.26
H-23-870	Bat Coil	\$2.20	A-4754	Jet Bumper Ring Assembly	.66
H-24-1150	Bat Coil	2.20	B-4756	Ball Eject Assembly	5.00
IT-27-800	Trip Relay (24 volt)	1.60	B-4759	Ball Eject Assembly	5.00
IT-29-1000	Latch Relay Coil	1.60	A-4760	Knocker Mounting Assy. (Old Type)	.80
IT-30-1500	Latch Relay Coil	1.60	A-4761	Knocker Assembly (Old Type)	4.50
IT-32-2100	Latch Relay Coil	1.60	D-4762	100 Step Unit Frame	5.00
IT-35-4200	Latch Relay Coil	1.80	C-4775	Ball Track Assembly	8.00
M-28-600	'M' Relay Coil	1.60	A-4779	Cardboard Catcher Assembly (Diamond Panel)	.47
M-29-1000	Trip Relay Coil	1.60	A-4779-A	Cardboard Umpire Assembly (Diamond Panel)	.47
M-29-1100	Relay Coil (24 volt)	1.60	A-4779-B	Cardboard Batter Assembly (Diamond Panel)	.47
M-30-1400	Relay Coil (24 volt)	1.60	A-4779C	Cardboard Pitcher Assembly (Diamond Panel)	.47
M-31-1700	'M' Relay Coil	1.60	A-4779-D	Cardboard 1st Baseman Assy. (Diamond Panel)	.47
M-32-1800	'M' Relay Coil	1.60	A-4779-E	Cardboard 2nd Baseman Assy. (Diamond Panel)	.47
M-33-2800	'M' Relay Coil	1.80	A-4779-F	Cardboard Shortshop Assembly (Diamond Panel)	.47
M-34-3100	'M' Relay Coil	1.80	A-4779-G	Cardboard 3rd Baseman Assy. (Diamond Panel)	.47
M-36-5500	'M' Relay Coil	1.80	A-4783	Jet Bumper Switch Assy.	1.10
X-25-400	Relay Bank Coil (24 volt)	.80	A-4786-1	Hole Cover Assy.	.55
X-27-700	Relay Bank Coil (24 volt)	.80	A-4786-2	Hole Cover Assy.	.55
X-28-800	Relay Bank Coil	.80	A-4786-3	Hole Cover Assy.	.55
X-30-1000	Relay Bank Coil	.80	A-4786-4	Hole Cover Assy.	.55
Y-31-1300	Brake Relay Coil	1.60	A-4786-5	Hole Cover Assy.	.55
Z-25-400	Relay Coil (24 volt)	1.70	A-4794	Leg Hinge Assembly	.60
Z-27-1000	Relay Coil (24 volt)	1.70	D-4798	100 Step Unit Complete	25.00
Z-28-1200	Relay Coil (24 volt)	1.70	A-4799	Tilt Switch Assy.	.88
Z-30-1800	Relay Coil	1.70	A-4817	Ball Gate Assembly	.65
Z-31-2300	Relay Coil	1.70	A-4834	Stand Up Switch Assy.	.55
Z-35-4200	Relay Coil	1.80	C-4886	Contact Plate Disc. Assy.	10.00
Z-35-5500	Relay Coil	1.80	A-4932	Coil Stop	.50
A-4011	Brass Flap Assembly	.56	B-4938	Latch Relay Assy.	6.50
A-4269	Ball Lift Arm Assembly (Old Style)	1.60	A-4939	Latch Relay Bracket Assy.	.50
A-4327	Armature Assembly	.66	A-4940	Latch Relay Armature Assy.	.60
A-4389	Coil Stop Assembly	.60	A-4954-A	Release Arm Assy.	1.05
A-4472	Horse Carriage Bracket Assembly	1.10	A-4959	Ball Release Plunger Assy.	.70
A-4488	Brake Arm Assembly	.60	A-4962	Flipper Pawl Assy.	.56
A-4501	Contact Finger Assy. (Large)	2.25	A-4962-1-L	Flipper Pawl Assembly (left)	.56
A-4608	Cam Follower	.20	A-4962-1-R	Flipper Pawl Assembly (right)	.56
A-4608-A	Cam Follower	.25			
A-4608-B	Cam Follower	.25			
B-4669	Hinge Assembly Wooden Doors	\$ 1.40			
A-4673	Man Running Disc. Assembly	1.30			
B-4674	Man Running Arm Assembly	3.00			
A-4677	Step Up Arm Assembly	1.30			
A-4678	Base Runner Assembly	.60			
A-4679	Indexing Pawl Assembly	.60			
A-4680	Stop Dog Assembly	1.20			

Part No.	Description	Price	Part No.	Description	Price
A-4984-1	Driven Arm Assembly.....	1.80	A-5414	Throttle Arm Assembly.....	12.50
A-5003-1	Contact Disc. Assy.....	.85	E-5420	Man Running Unit Assy. Complete (Specify Game)	30.00
A-5041	Cam Follower.....	.15	E-5420-A	Man Running Unit Assy. Complete Mounted on Diamond Panel - Specify Game	44.00
A-5041-A	Cam Follower.....	.15	D-5421	Man Run. Unit Main Frame Assy.	7.00
A-5041-B	Cam Follower.....	.15	A-5422	Man Running Base Switch Assy.	.70
A-5045	Contact Finger Assembly.....	1.60	A-5422-1	Man Running Run Switch Assy.	.70
A-5052	Bumper Bracket Assy.....	.60	B-5423	Bracket Mounting Assembly	.60
B-5053	Jet Bumper Assy.....	6.50	D-5431	Bat Handle Assy. Comp. (1957 B.B.)	15.00
A-5069	Flipper Button Assy. New Style	1.10	A-5450	Magnet Core Assembly (coin lockout)	.60
A-5072	Plunger Assy.....	.80	A-5489	Coin Return Receptacle	.60
B-5073	Ball Release Assy.....	6.00	C-5490-1	Metal Door (Single Chute)	4.50
A-5082-A	Bracket & Stop Assy.....	1.00	C-5490-2	Metal Door (Twin Chute)	4.75
A-5103	Plunger Assy.....	.80	A-5491	Drive Pawl Assembly	.50
B-5104	Kicker Assy.....	5.00	B-5492-1	Drive Arm Assembly	1.25
B-5149	Actuating Arm Assy.....	1.25	B-5492-3	Drive Arm Assembly	1.30
B-5150	Slug Rejector Frame Assy.....	3.00	A-5493	Rear Leg Hinge Assembly	.30
B-5151	Slug Rejector Mounting Assy.....	10.00	A-5494-1	Crank Arm Assembly	.80
A-5154	Armature Flap Assy.....	.20	B-5495	Reset Arm Assembly (Specify Number of Relays)	.80
A-5155	Coin Switch-Bracket & Wire Assy.....	4.50	B-5496	Coin Slide (Old Style)	1.00
C-5161	Batter Unit Assy.....	15.00	B-5499	Coil Mounting Assembly	1.00
C-5161-1	Batter Unit Assy.....	15.00	A-5501	Plunger Assembly	.90
C-5161-2	Batter Unit Assy.....	15.00	A-5505	Drive Pawl Assembly	.50
C-5161-3	Batter Unit Assy.....	15.00	C-5507	Relay Bank Assembly (Write for Price)	
C-5161-4	Batter Unit Assembly.....	15.00	A-5520	Drive Pawl Assembly	.50
B-5163	Flipper & Coil Assembly	5.00	A-5523	Drive Arm Assembly	1.20
D-5164	Ball Deflector Cover Assembly (red)	5.40	A-5524	Lock Arm Assembly	.40
A-5222	Shooter Rod Mounting Plate Assy.....	.90	A-5525	Reset Arm Assembly	1.50
A-5229	Shooter Coil Armature Assy.....	.80	A-5526	Lock Arm Assembly	.40
A-5230	Shooter Coil Assy.....	3.50	B-5532	Mounting Plate Assembly	1.00
B-5232	Mounting Plate Assy.....	1.90	A-5535	Drive Arm and Pawl Assembly	1.70
A-5233-A	Arch Hole Liner	1.00	A-5536-A	Drive Arm and Pawl Assembly	1.75
B-5247	Ball Shooter Assy.....	4.00	A-5536-B	Drive Arm and Pawl Assembly	1.75
B-5248	M Type Armature Assy.....	.50	A-5536-C	Drive Arm and Pawl Assembly	1.70
B-5249	Relay Frame Assy.....	.60	A-5536-D	Drive Arm and Pawl Assembly	1.75
B-5250	M Relay Assy.....	2.75	A-5558	Solenoid Crank Assembly	.60
B-5257	Ball Lift Assy.....	5.00	E-5560	Bowler Mannikin Assy. (Complete)	20.00
A-5264	Shooter Rod & Knob Assy.....	1.80	A-5564	Shaft and Gear Assembly	5.00
A-5270	Rod & Knob Assembly.....	.95	A-5565	Mannikin Arm and Gear Assy.	5.00
A-5274	Coil Bracket Assembly.....	.60	A-5571	Armature and Link Assembly	1.10
A-5285	Relay Frame Assembly.....	.70	A-5574	Adjustment Clip	.30
A-5324	Bumper Switch Assembly.....	.60	B-5579	New Knocker Assembly	4.50
A-5325	Tilt Switch Assembly.....	.88	A-5581	Drive Crank Assembly	.90
B-5370-1	Bushing & Lug Assy. (Used on Space Glider, Vanguard, Hercules, Crusader & Titan)	.75	A-5583	Drive Pawl Assembly	.30
B-5370-2	Bushing & Lug Assembly (Used on Crossfire)	1.00	A-5585	Directional Handle Assy. (left side)	3.00
B-5370-3	Bushing & Lug Assembly (Used on Safari)	1.25	A-5587	Cam Assembly	1.00
B-5370-5	Bushing & Lug Assembly (Used on Polar Hunt)	1.75	A-5588	Bumper Roller Assembly	1.50
B-5371-1	Yoke & Channel Assy. Complete (Bouncing Ball Gun Games)	5.95	A-5589	Cam Link Assembly	1.00
B-5371-2	Yoke & Channel Assy. Complete (Crossfire)	6.20	E-5590	Disappearing Jet Bumper	25.00
B-5371-3	Yoke & Channel Assy. Complete (Safari)	6.45	A-5591	Cam Lock Arm Assembly	.60
B-5371-4	Yoke & Channel Assy. Complete (Polar Hunt)	6.95	A-5591-1	Cam Lock Arm Assembly	.60
A-5372	Yoke Assembly.....	4.75	C-5592	Cash Box Cover	1.50
A-5379	Bracket & Plate Assembly	1.00	B-5593-A-1	Mounting Plate with Disc Mounting Posts	5.00
C-5384	Trigger Housing & Tube Assy.....	45.00	B-5593-A-3	10 Step Unit Mounting Plate	4.80
A-5385	Single Motor Cam Assembly	.90	D-5604	Pitcher Plate Assembly	3.50
A-5387	Bell Solenoid Plunger.....	.66	A-5606-1	Switch Activator Assembly	.90
B-5391	Bell & Bracket Assembly.....	1.40	A-5608	Coil Mounting Bracket Assembly	1.20
B-5392	3 3/8" Bell Assembly.....	4.50	A-5609	Drive Bar Assembly	1.00
B-5393	Coil & Bracket Assembly.....	3.00	A-5610	Motor Cam Assembly (Double)	1.30
A-5396	Armature Assembly.....	1.00	B-5611	Index Cam Assembly	1.20
A-5397	Coil Stop Assembly.....	1.00	B-5612	Pitcher Arm Assembly	1.80
A-5413	Escutcheon Plate Assembly.....	.50	E-5613	Pitcher Unit Assy. (Complete)	40.00
			B-5614-A-3	Armature Assembly (3-Slot)	.60

Part No.	Description	Price
B-5614-A-4	Armature Assembly (4-Slot)	.60
B-5614-A-5	Armature Assembly (5-Slot)	.60
B-5614-A-6	Armature Assembly (6-Slot)	.60
A-5620	Brake Mounting Bracket	1.00
A-5621	Brake Lever Assembly	1.20
A-5624	Brake Assembly	1.20
B-5625	Bat Handle Lever Assembly	6.00
A-5627	Motor Stop Dog	.55
A-5628-1	Cam Return Stop Assembly	.90
C-5632	Bottom Arch	6.00
C-5632-A	Bottom Arch	6.00
C-5634	Base Plate Assembly	1.80
A-5636	Ball Lift Plate Assembly	1.25
B-5637	Contact Disc Assembly	2.50
A-5638	Contact Finger Assy.	1.45
B-5645	"Z" Relay Assembly	2.95
A-5652	Kicker Crank Assy.	1.00
A-5653	Kicker Mounting Bracket Assy.	.50
A-5654-1	Ball Eject Cam Assy.	1.00
A-5654-4	Ball Eject Cam Assy.	1.00
A-5661	Push Rod Assy.	.80
A-5662	Pusher End Assy.	.65
B-5663	Ball Lift Pusher Assy.	2.40
A-5664	Push Rod Guide Assy.	.75
A-5668	Brake Relay	4.00
A-5668-1	Armature Flap Assembly	.50
C-5669	Cash Box	4.00
C-5669-1	Cash Box Assembly 4½" deep	4.40
A-5671-A	Brake Relay Assy.	5.00
A-5671-B	Brake Relay Assy.	5.15
A-5675	Target Hole-Ball Kicker Assy.	3.20
A-5675-1	Ball Kicker Extension Armature	.60
C-5676	Ball Lift Assy.	3.50
B-5678	Collector Assy. (Compl.)	3.50
B-5678-1	Collector Ring #1	.22
B-5678-2	Collector Ring #2	.22
B-5678-3	Collector Ring #3	.22
D-5687	Cabinet Ball Trough Assembly (complete) (specify game)	7.36
B-5678-4	Collector Ring #4	.22
B-5678-5	Collector Ring #5	.22
C-5679	Scanning Wiper & Collector Assy.	7.50
B-5679-1	Scanning Wiper & Blades Only	3.00
C-5694	50 Step Unit (Resetting)	20.00
A-5703	Ball Flap Assy.	1.00
B-5707	Ball Track Plate Assembly	3.00
A-5709	Ball Track Plate Assembly	3.00
A-5718	Curve Magnet Coil Brk't.	1.50
A-5719	Ball Release Lever Assy.	1.00
A-5723	Ball Flap Assy. (Pinch Hitter)	1.00
A-5725	Pin Assy. (Complete)	1.10
C-5726	Step Unit (Complete)	20.00
C-5726-A	Ten Step Unit	20.00
A-5727	Kicker Coil Assy. (Complete)	4.00
A-5729	Ratchet Gear Assy. (Non Resetting Type)	1.15
A-5729-A	Ratchet Gear Assy. (Resetting Type)	1.25
A-5729-B	Ratchet Gear Assy. (Replay Unit)	1.35
B-5730	100 Tooth Ratchet Gear Assy.	1.60
B-5732	100,000 Snowshoe Wiper Assy.	1.40
B-5733	10,000 Unit Wiper Assy.	1.20
A-5734-1000	E Relay Armature (1 Make)	.80
A-5734-1100	E Relay Armature (2 Make)	1.00
A-5734-1110	E Relay Armature (3 Make)	1.55
A-5734-1111	E Relay Armature (4 Make)	1.65
A-5734-1112	E Relay Armature (3 make - 1 break)	1.65
A-5734-1120	E Relay Armature (2 make - 1 break)	1.55
A-5734-1122	E Relay Armature (2 make - 2 break)	1.65
A-5734-1200	E Relay Armature (1 make - 1 break)	1.45

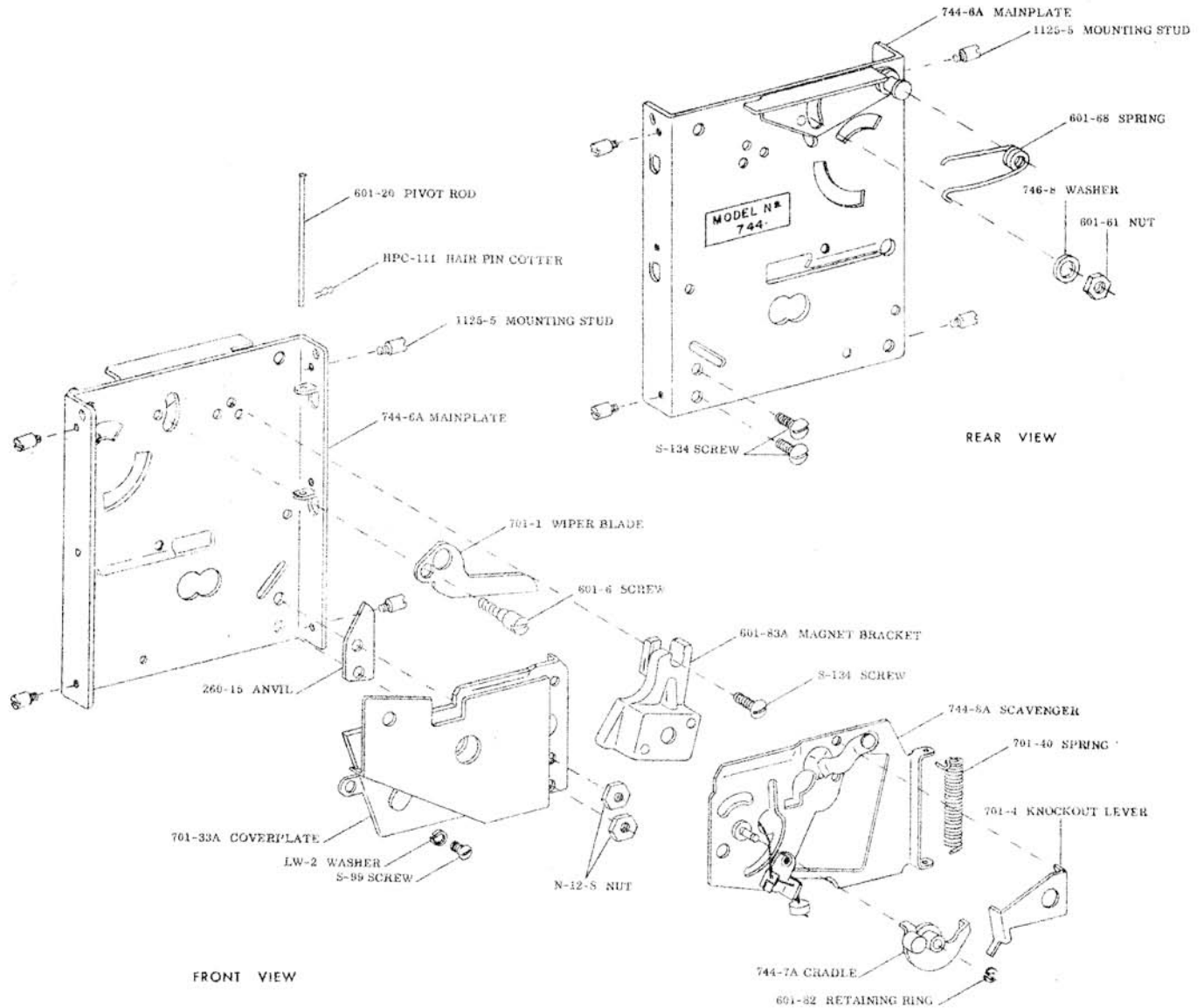
Part No.	Description	Price
A-5734-1300	"E" Relay Armature (1 Make-1 Make-Break)	1.45
A-5734-1312	"E" Relay Armature (2 Make - 1 Make Break-1 Break)	1.85
A-5734-1320	"E" Relay Armature (1 Make - 1 Make-Break-1 Break)	1.55
A-5734-2000	"E" Relay Armature (1 Break)	.80
A-5734-2200	"E" Relay Armature (2 Break)	1.00
A-5734-2220	"E" Relay Armature (3 Break)	1.55
A-5734-2222	"E" Relay Armature (4 Break)	1.65
A-5734-2300	"E" Relay Armature (1 Break - 1 Make - Break)	1.45
A-5734-3000	"E" Relay Armature (1 Make-Break)	1.30
A-5734-3111	"E" Relay Armature (3 Make-1 Make - Break)	1.65
A-5734-3300	"E" Relay Armature (2 Make-Break)	1.55
A-5734-3330	"E" Relay Armature (3 Make-Break)	1.95
C-5735	"E" Relay Assy. Less Switches	3.00
C-5744	Contact Disc Assembly (Specify game and unit)	4.50
C-5745	50 Pos Step Up Unit Rigid Mt.	20.00
A-5748	Turntable Drive Plate Assy.	.70
A-5751	Turntable Roller Assy. (Locating)	.60
A-5752	Turntable Roller Assembly	.70
A-5754	Drive Shaft Assembly	.80
B-5759	Mounting Bracket & Brush Assy.	3.00
B-5759-1	Mounting Bracket & Brush Assy.	3.20
B-5760-3	Collector Ring Assembly	.32
B-5761	Commutator Assembly	15.80
A-5763	Pitcher - Arm Assembly	1.50
A-5764	Index Cam Assembly	1.00
A-5766	Arm Elevator Assembly	1.50
A-5767	Ball Lockout Gate Assy.	1.20
E-5770	Pitcher Unit Assembly (Official Baseball)	40.00
E-5771	Turntable Assy. - Complete	75.00
B-5773	Ball Tube Assembly	2.25
A-5775	Coin Guide Assembly	1.00
A-5775-1	Coin Slide Assembly	1.00
E-5777	Horse Unit Assembly	110.00
B-5778	Knocker Mounting Assy.	.80
B-5779	Knocker Assembly	4.50
C-5782	Playfield Trough Assembly (Darts)	10.00
A-5783	Horse Assembly (Specify Number on Horse)	.75
B-5798	Motor Cam Assy. (Single)	.90
A-5804	Trip Cam Assembly	.50
A-5819	Commutator Brush Assembly - Scan Unit	.75
B-5823	Scan Unit Contact Disc. - Crusader	8.00
B-5823-1	Scan Unit Contact Disc. - Vanguard	8.00
B-5823-2	Scan Unit Contact Disc. - Hercules	8.00
B-5823-3	Scan Unit Contact Disc. - Titan	8.00
B-5823-4	Scan Unit Cont. Disc. - Space Glider	8.00
A-5826	Swinging Target Bracket Assy.	1.40
A-5829	Swinging Arm	.60
D-5835-1	Front Moulding Assembly	9.50
D-5835	Front Moulding Assembly	9.50
B-5839	Swinging Target Assembly	9.50
A-5842	Ball Release Assembly	3.20
A-5843	Pivot Arm Assembly (Ball Release)	.95
A-5844	Roll-Over Wire Assembly	.18
A-5844-1	Roll-Over Wire Assembly	.18
A-5844-2	Roll-Over Wire Assembly	.22

Part No.	Description	Price	Part No.	Description	Price
A-5844-3	Roll-Over Wire Assembly22	C-5936	Carriage Bracket Assembly	5.95
A-5844-4	Roll-Over Wire Assembly28	A-5937	Cash Box (Roadracer)	1.50
A-5844-5	Roll-Over Wire Assembly25	A-5938	Cash Box Cover (Roadracer)85
A-5844-6	Roll-Over Wire Assembly28	A-5939	Thumb Screw & Bracket Assy.	1.00
A-5844-7	Roll-Over Wire Assembly25	A-5940	Thumb Screw Assembly60
C-5845	Ball Gate	12.00	A-5941	Thumb Screw Latch Assy.35
B-5848	Connecting Link (Ball Release)	1.10	B-5942	Drum Motor Unit Assembly	17.50
A-5853	Reset Pivot Bracket (Ball Release)	1.35	B-5943	Timer Motor Unit Assembly	10.50
B-5856	Mounting Frame	4.20	B-5945	Front Moulding Assembly (Shelf Type Cabinet)	6.50
A-5859	Reset Arm Assembly60	A-5946	Gear and Shaft Assembly (Non Resetting Type)	1.60
A-5859-A	Reset Arm Assembly60	A-5947	Gear and Shaft Assembly (Resetting Type)	1.80
A-5860	Escape Lever Assembly60	A-5948	Gear & Shaft Assy. (Replay Unit)	1.80
B-5863	Replay Disc Assembly	2.75	A-5949	Gear & Shaft Assy. (100 Step Unit)	2.15
C-5866	Replay Unit Assembly	20.50	A-5950	100,000 Wiper Plate and Bushing	1.20
A-5871	E Relay Lower Make Blade & Point22	A-5951	10,000 Wiper Plate and Bushing	1.00
A-5871-1	E Relay Lower Break Blade & Point22	A-5952	Blade Assembly10
A-5871-2	E Relay Upper Make Blade & Point22	A-5956	Lockout Coil Assembly	2.75
A-5871-3	E Relay Upper Break Blade & Point22	A-5957	Armature Link Assembly30
B-5872-1	Slate w/Cloth Cover (75" Pool Tbl.)	110.00	A-6038	Crank Hub Assembly New Swinging Target	\$.56
C-5872-2	Slate w/Cloth Cover (90" Pool Tbl.)	150.00	A-6039	Target Arm Assembly60
B-5882	Ball Separator 90"	7.50	A-6040	Target Drive Arm Assembly40
B-5883	Ball Separator 75"	7.00	A-6041	Mounting Frame Swinging Target Assembly	1.40
C-5900	Contact Disc Assembly (Specify game and unit)	3.25	B-6043	Swinging Target Assembly (slave unit)	6.00
B-5901	Snowshoe Wiper Assy. less Blade & Springs (Specify Game & Unit)	2.30	A-6044	Mounting Frame Swinging Target Assembly	1.40
B-5902	Snowshoe Wiper Assy. less Blade Wipers & Springs (Specify Game & Unit)	2.30	B-6045	Swinging Target Assembly	14.50
B-5903	Snowshoe Wiper Assy. less Wiper Blades & Springs (Specify Game & Unit)	2.40	A-6051	Coin Guide Assembly25
B-5905	Snowshoe Wiper Assy. less Wiper Blades & Springs (Specify Game & Unit)	2.20	B-6052-L	Metal Flipper Assembly	1.20
B-5906	Snowshoe Wiper Assy. less Wiper Blades & Springs (Specify Game & Unit)	2.55	B-6052-R	Metal Flipper Assembly	1.20
B-5907	Snowshoe Wiper Assy. less Wiper Blades & Springs (Specify Game & Unit)	2.45	B-6056	Light Box Door Assembly - (metal, Single Player)	6.75
A-5909	Ratchet Gear Assembly (Specify game and unit)	1.25	B-6057	Light Box Door Assembly - (metal, Multi-Player)	7.00
C-5910	Contact Disc Assembly (Specify game and unit)	3.25	B-6058	Front Moulding Lock Lever Assembly	1.00
B-5911	Mounting Plate	4.50	B-6059	Front Moulding Lock Rail Assembly	1.20
A-5912	Idler Arm Assembly	1.30	D-6061	Front Moulding Assembly (latch type)	6.50
A-5913	Carriage Assembly	3.20	A-6062	Armature and Plug Assembly50
A-5914	Crank Assembly	1.00	A-6064	Jet Bumper Mounting Bracket Assembly60
A-5915	Steering Crank Assembly50	B-6066	"J" Type Relay Frame Assembly	\$.60
A-5916	Hub Cover Assembly	3.50	B-6067	"J" Type Relay Armature Assembly50
B-5917	Steering Wheel Assembly	32.50	B-6068	"J" Type Relay Assembly	2.75
A-5919	Drum (Roadracer)	56.00	B-6069	Lite Socket Strip (Friendship 7) Assembly	1.50
A-5920	Commutator Assembly	2.50	B-6070	Screened Front Moulding with Hardware (Baseball) Assembly	14.00
A-5921	Timer Motor Bracket75	B-6071	Small Bell Assembly	4.50
A-5922	Motor Plate60	B-6072	Chime Box Assembly	4.50
A-5923	Motor Mount80	A-6075	Contact Blade with point Assembly10
A-5924	Commutator Brush Assembly45	B-6078	Front Moulding Lever and Lock Slide Assembly	3.00
A-5925	Timer Motor Cam90	B-6200	Snowshoe Wiper Assembly (complete) (Specify game and unit)	1.20
A-5926	Drum-End	7.00	B-6201	Snowshoe Wiper Assembly (complete) (Specify game and unit)	3.20
A-5927	Carriage Bracket Sub Assy.	1.00			
A-5929	Sound Box	3.50			
A-5930	Bearing Holder Assembly	10.00			
A-5932	Pointer Assembly30			
A-5933-1	Car Contact Assy. (Small Point)20			
A-5933-2	Car Contact Assy. (Medium Point)20			
A-5933-3	Car Contact Assy. (Large Point)20			
A-5934	Steering Shaft Sub Assy.	1.75			
D-5935	Steering Mechanism	30.00			

Part No.	Description	Price	Part No.	Description	Price
B-6202	Snowshoe Wiper Assembly (complete) (Specify game and unit)	3.20	SW-1A	Ball Trough (Playfield Bottom)	.44
B-6203	Snowshoe Wiper Assembly (complete) (Specify game and unit)	3.20	SW-1A-1	Shake Tilt	.60
B-6205	Snowshoe Wiper Assembly (complete) (Specify game and unit)	3.20	SW-1A-2	Lane Roll-over (Single)	.44
B-6206	Snowshoe Wiper Assembly (complete) (Specify game and unit)	3.20	SW-1A-3	Flipper Button	.55
B-6207	Snowshoe Wiper Assembly (complete) (Specify game and unit)	3.20	SW-1A-5	Flipper	.44
B-6212-1	Metal Legs (single player)	\$3.00 each	SW-1A-6	Ball Trough (Cabinet)	.44
B-6212-2	Metal Legs (multi-player)	3.00 each	SW-1A-20	Roll Tilt	.20
A-6213	Mercury Tilt Switch and Bracket Assembly	1.20	SW-1A-22A-2	Double Break Sw. Horse Unit	.75
A-6214-3	"L" Type Relay Armature Assem. 3-Slot	.60	SW-1A-25	Make Switch Horse Unit	.60
A-6214-4	"L" Type Relay Armature Assembly (4 slot)	.60	SW-1A-27	Eject Hole	.45
A-6214-5	"L" Type Relay Armature Assembly (5 slot)	.60	SW-1A-34	Trigger Switch	.50
A-6414-6	"L" Type Relay Armature Assembly (6 slot)	.60	SW-1A-45	Roll-Over Button (Make)	.50
A-6215	"L" Type Relay Frame Assembly	.75	SW-1A-47	Bat Unit Switch	\$.44
A-6216	"L" Type Relay Assembly	2.95	SW-1A-49	Ball Gate Switch	.55
B-6217	Drop Target Assembly	7.50	SW-1A-50	Drop Target Make Switch	.44
A-6218	Drop Target Crank Assembly	.75	SW-1C	Motor Switch	.55
A-6219	Drop Target Arm Assembly	1.50	SW-1C-1	Motor Switch	.44
A-6220	Drop Target Frame Assembly	1.00	SW-1-M1	Make Switch "M" Relay	.44
A-6221	Drop Target Armature & Link Assembly	.80	SW-1M-3	Make Switch	.44
A-6222	Interlock Relay Mounting Frame Assembly	.90	SW-1U	10 Step Unit Switch	.55
A-6223	Trip Relay Frame Assembly	.55	SW-1U-1	M Switch Drum Unit	.44
B-6225	Interlock Relay Assembly	6.00	SW-1U-2	M Switch Drum Unit	.44
A-6227	Reset Coil Stop Assembly	\$.45	SW-1Z	Make Switch	.44
B-6228	Metal Flipper Coil Assembly	5.50	SW-1Z1	Make Switch	.44
A-6229	Ball Gate Assembly	.95	SW-2A-3	Kick-Off	.45
B-6230	Snowshoe Wiper Assembly Less Wipers and Springs (Specify game and unit)	1.00	SW-2A-5	Break Switch Horse Unit	.60
B-6231	Snowshoe Wiper Assembly Less Blade Wipers and Springs (Specify game and unit)	2.30	SW-2M-1	Break Switch	.44
B-6232	Snowshoe Wiper Assembly Less Blade Wipers and Springs (Specify game and unit)	2.30	SW-2U-8	Disappearing Bumper (Motor)	.45
B-6233	Snowshoe Wiper Assembly Less Blade Wipers and Springs (Specify game and unit)	2.30	SW-2Z	Break Switch	.44
B-6235	Snowshoe Wiper Assembly Less Blade Wipers and Springs (Specify game and unit)	2.30	SW-3-M1	Make Break Switch "M" Relay	.68
B-6236	Snowshoe Wiper Assembly Less Wipers and Springs (Specify game and unit)	2.30	SW-3U-3	Cam Switch	.50
B-6237	Snowshoe Wiper Assembly Less Wipers and Springs (Specify game and unit)	2.30	SW-3Z	Make Break Switch	.68
B-6240	100,000 Snowshoe Wiper Assembly (Complete - Specify game and unit)	1.40	SW-10A-5	Single Outhole	.44
			SW-10A-6	Bat Handle Switch	.55
			SW-10A-7	Anti-Cheat (Door)	.65
			SW-10A-9	Bat Unit Switch	.50
			SW-10A-11	Swinging Target Switch	.55
			SW-10A-14	Target Switch	.55
			SW-10C	Make Switch (Motor)	.55
			SW-10C-1	Make Switch (Motor)	.55
			SW-10C-2	Bat Lever Switch	.55
			SW-10-M1	Make Switch "M" Relay	\$.44
			SW-10U-7	Drum Unit Drive Make Switch	.44
			SW-10-Z	Make Switch	.44
			SW-11A-2	Lane Roll-over (Double)	.50
			SW-11A-8	Switch (Horses #1 to 5) Brake Re.	.44
			SW-11A-9	Switch (Horse #6) Brake Re.	.44
			SW-11A-10	Kicker	.50
			SW-11C	Pitcher Cam Switch	.60
			SW-12A-3	Disappearing Bumper	.85
			SW-13U-1	Switch	.60
			SW-20A	Roll-over Button (Break)	.50
			SW-20-C	Break Switch (Motor)	.55
			SW-20C-1	Break Switch (Motor)	.44
			SW-20-M1	Break Switch "M" Relay	.44
			SW-20U-1	M Switch Drum Unit	.44
			SW-20-Z	Break Switch	.44
			SW-30C	Motor Switch	.60
			SW-30C	Motor Switch	.75
			SW-30C-1	Make-Break Switch (Motor)	.68
			SW-30-M1	Make Break Switch "M" Relay	.68
			SW-31-B	Drop Target Switch	.75
			SW-221-U-1	Switch	.60



EXPLODED VIEW and PARTS DESCRIPTION 700 SERIES NICKEL SLUG REJECTOR



NOTE: When ordering parts, be certain to specify the part number, description, quantity and the model number of the unit.

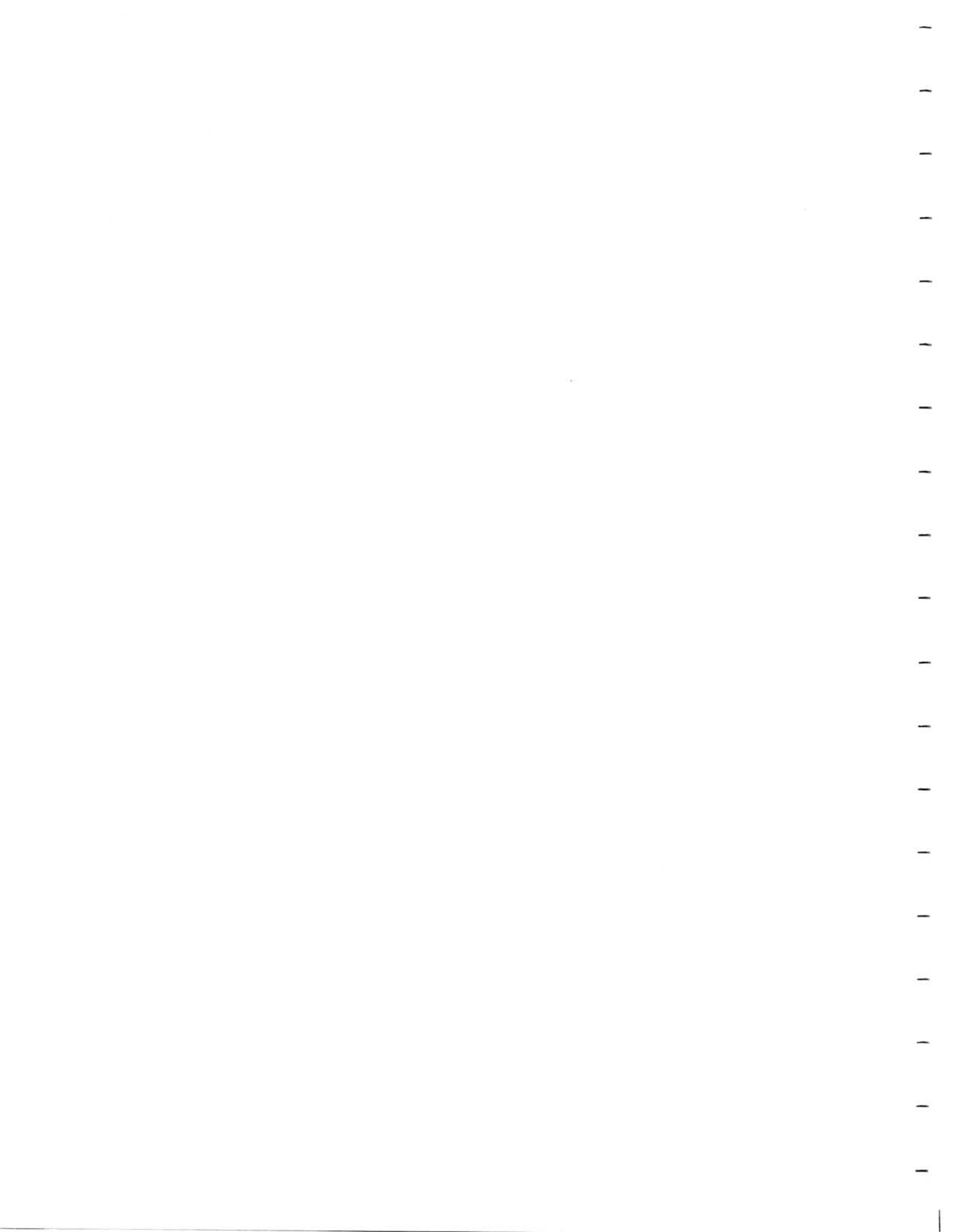
FOR SERVICE AND SALES CONTACT THE FOLLOWING BRANCH OFFICES:



PORT WASHINGTON, L. I., N. Y., 30 Beechwood Ave. - Phone: Port Washington 7-4425-6
 DETROIT 4, MICHIGAN, 8801 Joy Road - Phone: TEXAS 4-6295
 CHICAGO 39, ILLINOIS, 4907 West Fullerton Avenue - Phone: NATIONAL 2-3614
 ATLANTA 9, GEORGIA, 1209 Williams Street, N. W. - Phone: TRINITY 6-4318
 DALLAS 5, TEXAS, 4633 Insurance Lane - Phone: LAKESIDE 8-2291
 LOS ANGELES 7, CALIFORNIA, 2119 South Flower Street - Richmond 9-6367
 TORONTO, ONT., CANADA (10), 3513 Bathurst Street - Phone: RUSSELL 1-5629

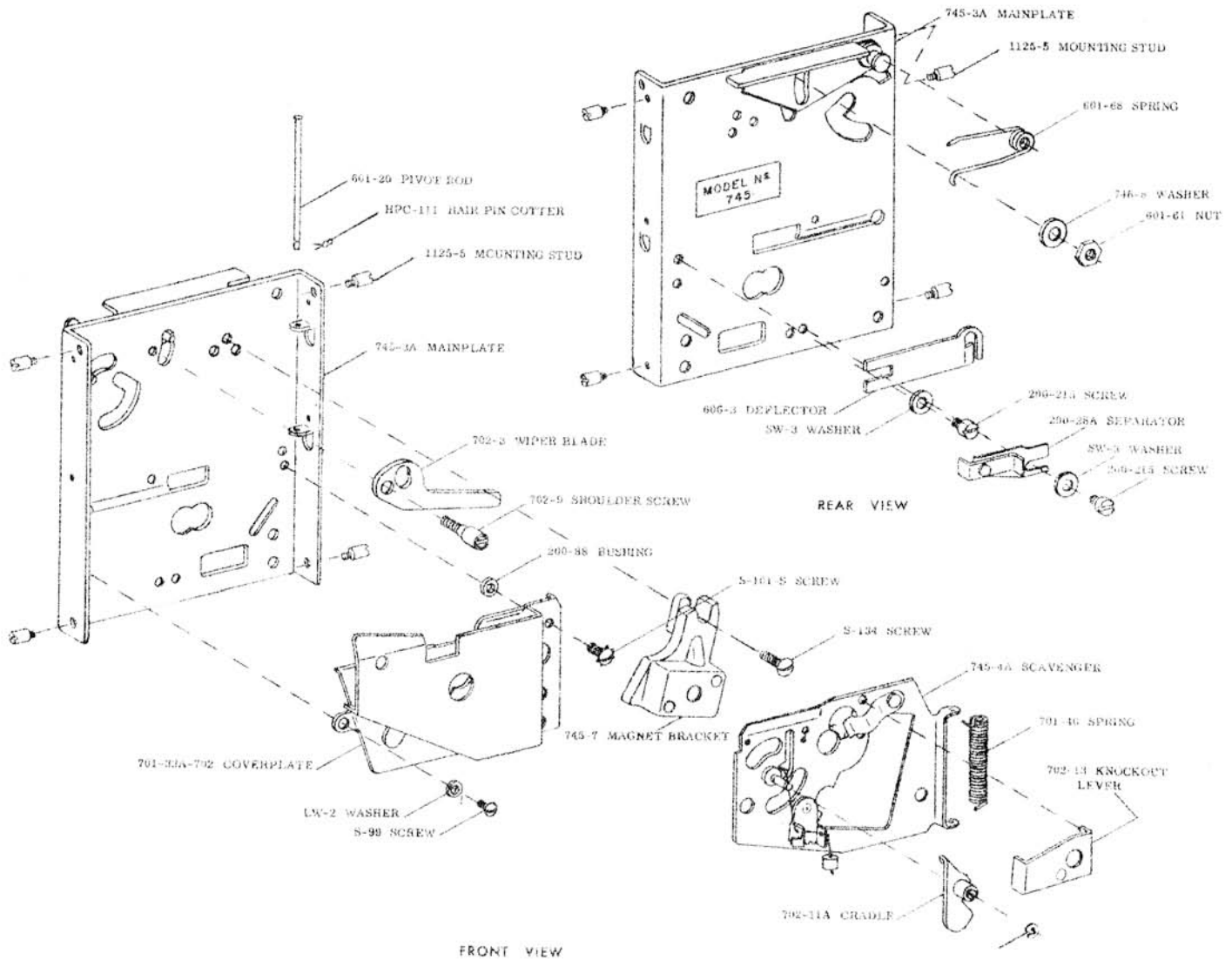
Printed in U. S. A.

National Rejectors - INC. 5100 SAN FRANCISCO AVE., ST. LOUIS 15, MO. COLFAX 1 1900



EXPLODED VIEW and PARTS DESCRIPTION

700 SERIES DIME SLUG REJECTOR



NOTE: When ordering parts, be certain to specify the part number, description, quantity and the model number of the unit.

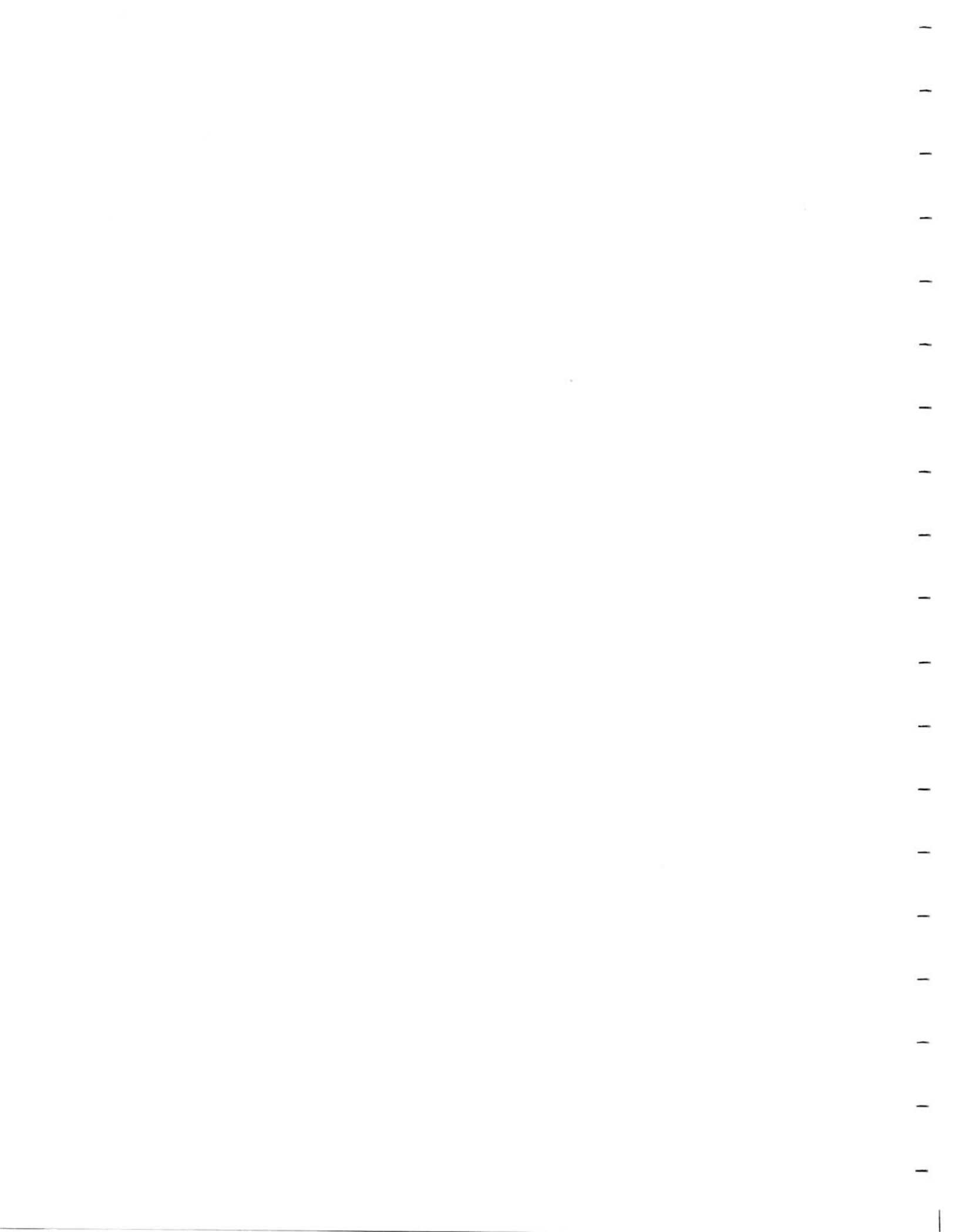
FOR SERVICE AND SALES CONTACT THE FOLLOWING BRANCH OFFICES:



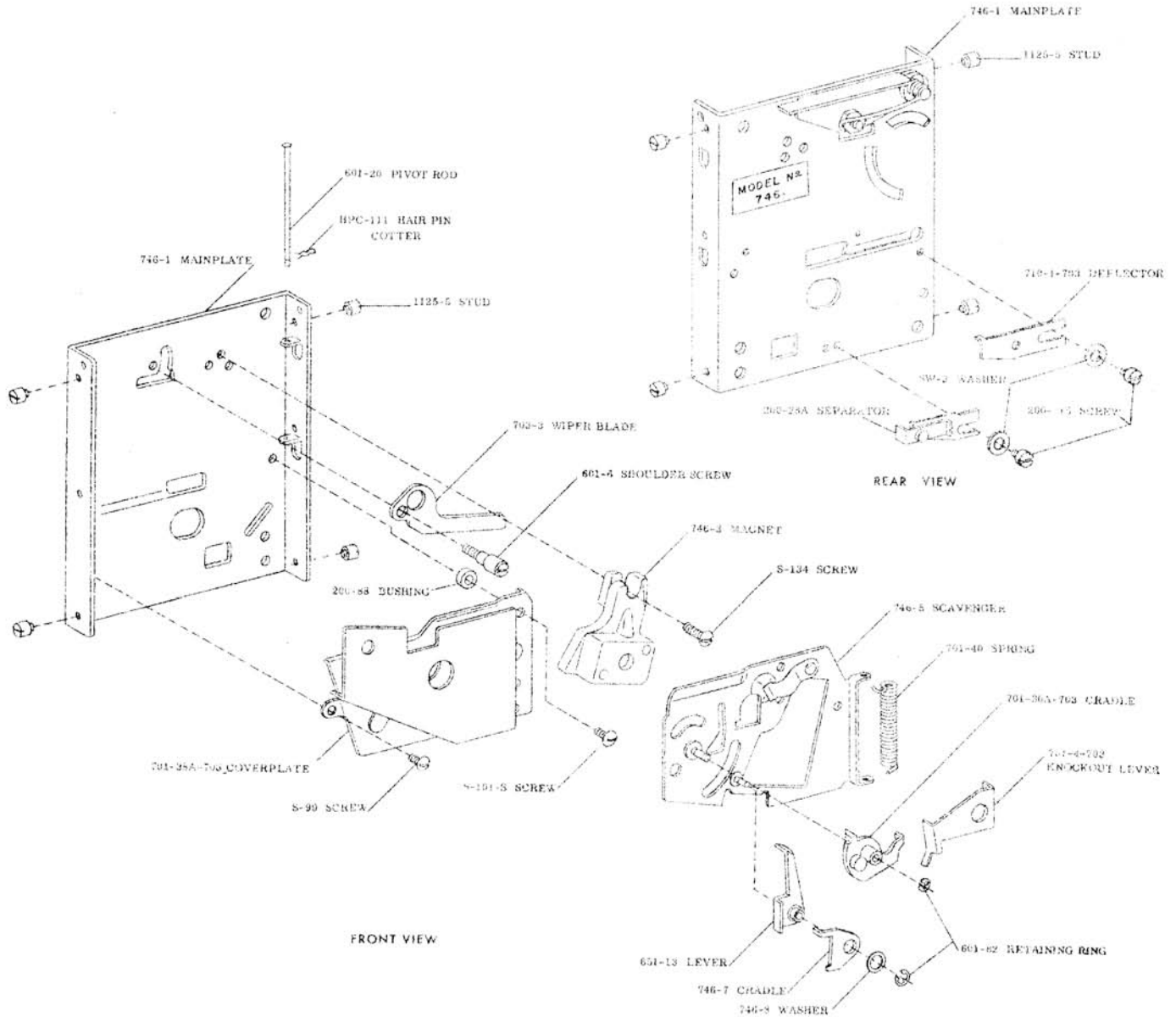
Printed in U. S. A.

PORT WASHINGTON, L. I., N. Y., 30 Beechwood Ave. - Phone: Port Washington 7-4425-6
 DETROIT 4, MICHIGAN, 8801 Joy Road - Phone: TEXAS 4-6295
 CHICAGO 39, ILLINOIS, 4907 West Fullerton Avenue - Phone: NATIONAL 2-3614
 ATLANTA 9, GEORGIA, 1209 Williams Street, N. W. - Phone: TRINITY 6-4318
 DALLAS 5, TEXAS, 4633 Insurance Lane - Phone: LAKESIDE 8-2291
 LOS ANGELES 7, CALIFORNIA, 2115 South Flower Street - Richmond 9-6367
 TORONTO, ONT., CANADA (10), 3513 Bathurst Street - Phone: RUSSELL 1-5629

National Rejectors INC. 5100 SAN FRANCISCO AVE., ST. LOUIS 15, MO. COLFAX 1 1900

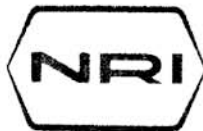


EXPLODED VIEW and PARTS DESCRIPTION 700 SERIES QUARTER SLUG REJECTOR



NOTE: When ordering parts, be certain to specify the part number, description, quantity and the model number of the unit.

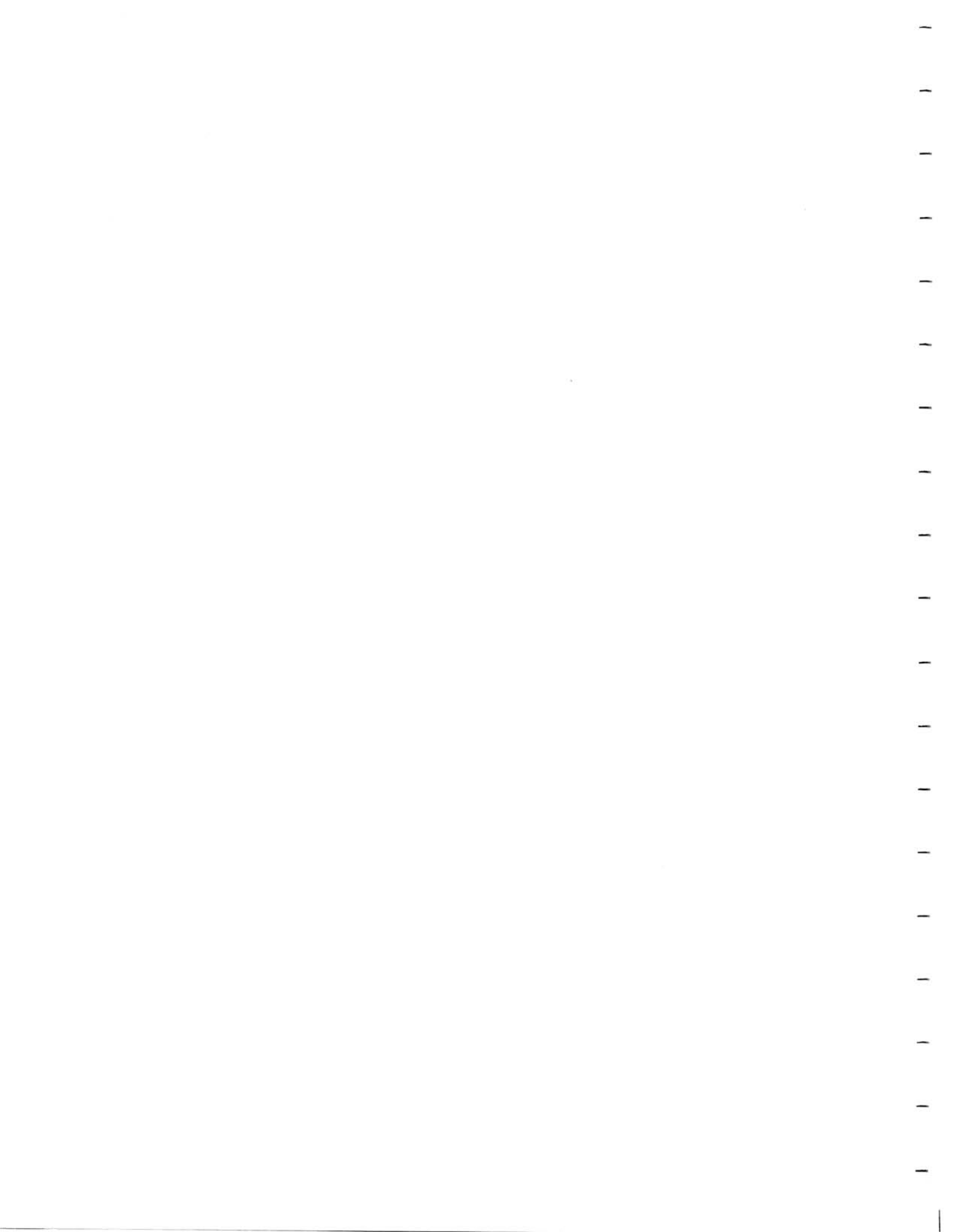
FOR SERVICE AND SALES CONTACT THE FOLLOWING BRANCH OFFICES:



PORT WASHINGTON, L.I., N. Y., 30 Beechwood Ave. - Phone: Port Washington 7-4425-6
 DETROIT 4, MICHIGAN, 8501 Joy Road - Phone: Texas 4-6295
 CHICAGO 39, ILLINOIS, 4507 West Fullerton Avenue - Phone: National 2-3614
 ATLANTA 9, GEORGIA, 1269 Williams Street, N.W. - Phone: TRinity 6-4318
 DALLAS 5, TEXAS, 4633 Insurance Lane - Phone: LAkeside 8-2291
 LOS ANGELES 7, CALIFORNIA, 2119 South Flower Street - Richmond 9-6367
 TORONTO, ONT., CANADA (10), 3513 Bathurst Street - Phone: RUSsell 1-5629

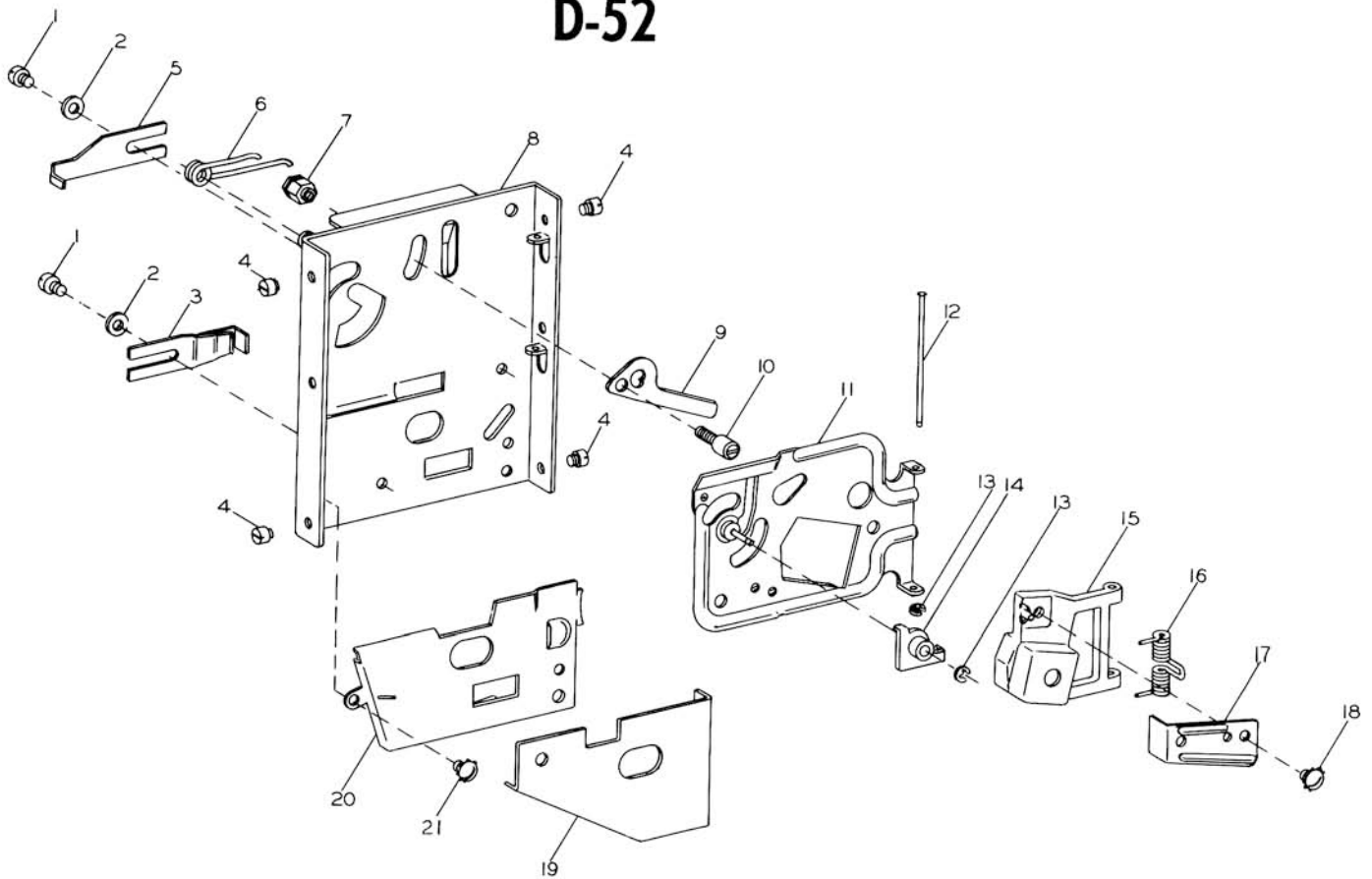
Printed in U.S.A.

National Rejectors INC. 5100 SAN FRANCISCO AVE., ST. LOUIS 15, MO. COLFAX 1 1900



COIN ACCEPTORS REPLACEMENT PARTS LIST SERIES - 50

D-52



NOTE: When ordering parts be sure to specify the part number, description, quantity, and model number of unit.

INDEX NO.	PART NO.	DESCRIPTION	QUANTITY	INDEX NO.	PART NO.	DESCRIPTION	QUANTITY
1	50020	Kicker Screw	2	12	50025	Gate Pivot Pin	1
2	50030	Washer	2	13	600448	"C" Washer	2
3	5007	Separator Assembly	1	14	5030	10c Transfer Cradle Assembly	1
4	600818	Mounting Stud	4	15	50003	Magnet Gate	1
5	600729	Kicker	1	16	50027	Gate Spring	1
6	50013	Gate Lever Spring	1	17	50009	Knockout	1
7	50014	Wiper Nut	1	18	276-6-3	Screw-Thread-Cutting	1
8	5001	Main Channel Assembly	1	19	50005	Return Coverplate	1
9	50007	Wiper	1	20	5005	Coverplate Assembly	1
10	50011	Wiper Shoulder Screw	1	21	150-6-2	Screw-Sems	1
11	5002	Gate Assembly	1				

**COIN
ACCEPTORS, INC.**

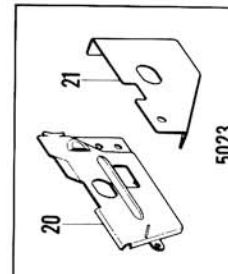
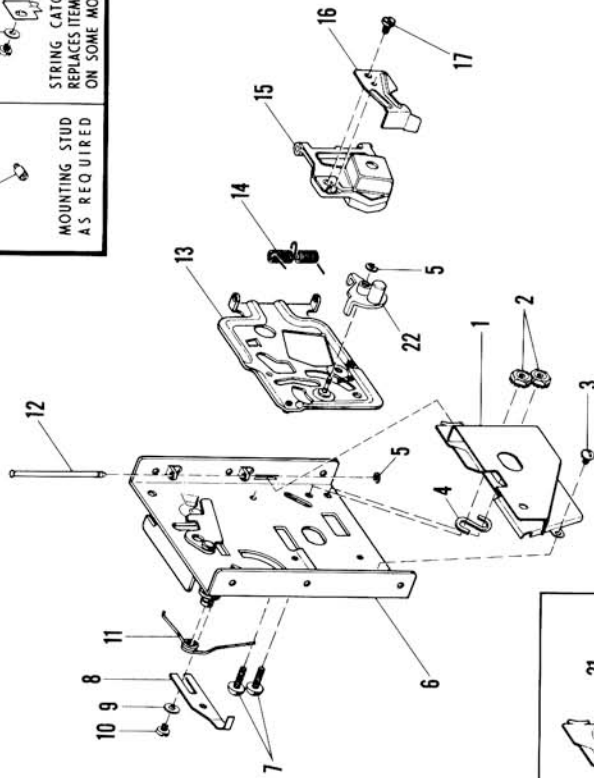


1711 HEREFORD ST. • SAINT LOUIS 10, MO.

N-51

18
MOUNTING STUD
AS REQUIRED

10 9 19
STRING CATCHER
REPLACES ITEM No.8
ON SOME MODELS



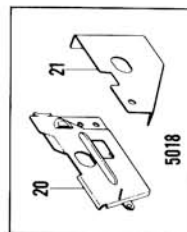
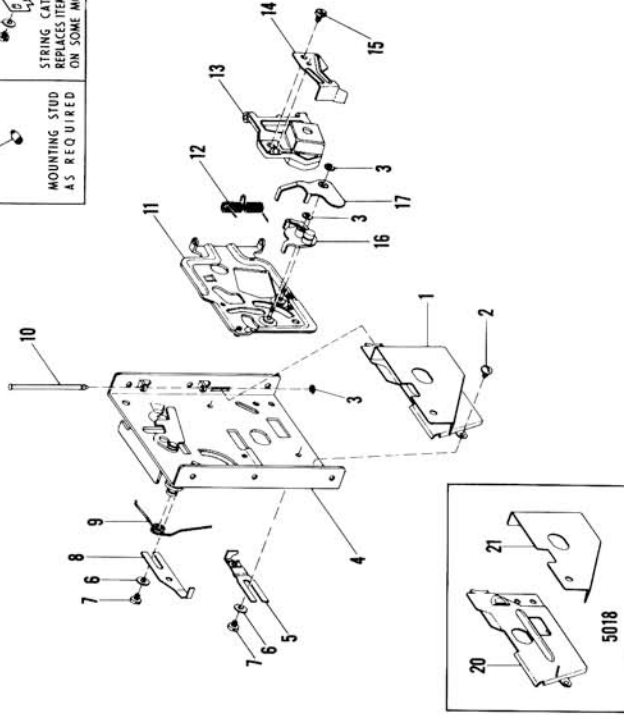
NOTE: When ordering parts be sure to specify the part number, description, quantity, and model number of unit.

INDEX NO.	PART NO.	DESCRIPTION	QUANTITY	INDEX NO.	PART NO.	DESCRIPTION	QUANTITY
1	5023	5c. Coverplate Assembly	1	12	50025	Gate Pivot Pin	1
2	438.8	Keys Nut	2	13	5020	Gate Spring	1
3	100-8-2	Screw-Sems	1	14	50027	Gate Assembly	1
4	50049	"C" Washer	1	15	50043	Magnet Gate	1
5	600448	Main Channel Assembly	2	16	50045	Washer	1
6	50336	Screw	1	17	276-6-3	Screw-Thread Cutting	1
7	100-8-6	Screw	2	18	600818	Mounting Stud	As Req.
8	600779	Kicker	1	19	50043	String Catcher	1
9	50030	Washer	1	20	5022	5c. Coverplate & Spacer Assembly	1
10	50020	Kicker Screw	1	21	50005	Return Coverplate	1
11	50089	Gate Lever Spring	1	22	5021	5c. Transfer Cradle Assembly	1

Q-53

18
MOUNTING STUD
AS REQUIRED

7 6 19
STRING CATCHER
REPLACES ITEM No.8
ON SOME MODELS

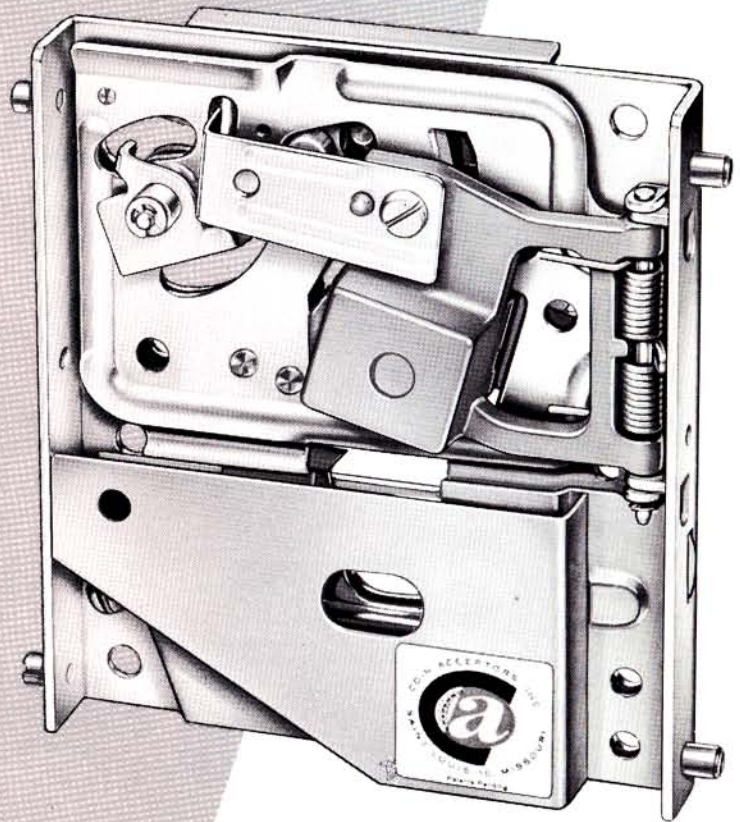


NOTE: When ordering parts be sure to specify the part number, description, quantity, and model number of unit.

INDEX NO.	PART NO.	DESCRIPTION	QUANTITY	INDEX NO.	PART NO.	DESCRIPTION	QUANTITY
1	5018	25c. Return Coverplate Assembly	1	12	50027	Gate Spring	1
2	150-6-2	Screw-Sems	1	13	50003	Magnet Gate	1
3	600448	"C" Washer	3	14	50042	Knockout	1
4	5056	Main Channel Assembly	1	15	276-6-3	Screw-Thread Cutting	1
5	50030	Washer	2	16	5014	25c. Transfer Cradle Assembly	1
6	50020	Kicker Screw	2	17	5015	25c. Underize Lever Assembly	1
7	50020	Kicker Screw	2	18	600818	Mounting Stud	As Req.
8	600729	Gate Lever Spring	1	19	50043	String Catcher	1
9	50069	Gate Pivot Pin	1	20	5017	25c. Coverplate & Spacer Assembly	1
10	50025	Gate Lever Spring	1	21	50005	Return Coverplate	1
11	5012	Gate Assembly	1				

SERIES 50 ACCEPTORS

- *Operation*
- *Adjustment*
- *Maintenance*



COIN
ACCEPTORS, INC.

1711 HEREFORD ST. • SAINT LOUIS 10, MO.

B. String Catcher—(Replaces the kicker in some models)

1. The "V" in the string catcher should be assembled even with the bottom of the kicker opening.
2. On Nickel and Quarter Acceptors, the string catcher is moved as far to the right as it will go.
3. On Dime Acceptors, the string catcher is moved as far to the left as it will go.

MAINTENANCE —

Depending upon the environment in which the Acceptor is used, periodic preventative maintenance should be performed.

The mainplate may be cleaned with any household cleanser. Thorough rinsing and drying are necessary to remove deposits and/or film.

Remove all filings from the magnet by guiding an ice pick, awl, or the point of a screw driver along the edges of the magnet. You will notice the filings will cling to the point of the tool.

Remove the transfer cradles and undersize levers and clean the bushings. A pipe cleaner makes a good bushing cleaner. Also clean the pivot pin. Apply powdered graphite or pencil lead sparingly to the pivot pin and bushing and reassemble.

On Nickel units make certain all foreign matter is removed from the bounce tester. Also make certain the bounce tester fastening screws are tight.

In the event the recommended adjustment and maintenance procedures do not render your "Series 50" Acceptor serviceable, check for worn or damaged parts and replace as necessary.

For service assistance or sales requirements, contact our branch office in your area.

For information concerning sales or service contact the branch office in your area.

ATLANTA	658 ELEVENTH ST. N.W., ATLANTA, GEORGIA	875-8049
BOSTON	117 WASHINGTON ST., NEW BEDFORD, MASS.	WYdown 2-0963
CHICAGO	8490 W. GRAND AVE., RIVER GROVE, ILLINOIS	GLadstone 3-8221
CINCINNATI	6052 TAHITI DRIVE, CINCINNATI 24, OHIO	542-0505
HOUSTON	2183 PORTSMOUTH AVE., HOUSTON 6, TEXAS	JAckson 6-4601
LOS ANGELES	3605 S. BROADWAY, LOS ANGELES 7, CALIF.	ADams 2-0286
MINNEAPOLIS	4424 FONDELL, MINNEAPOLIS 24, MINN.	UNion 9-2325
NEW YORK	23-10 - 44TH DRIVE, LONG ISLAND CITY, N. Y.	EMpire 1-1451
PHILADELPHIA	4810 CRESCENT AVE., PENNSAUKEN, N. J.	NOrmandy 5-2151
PITTSBURGH	2442 EAST ST., PITTSBURGH 14, PA.	FAirfax 2-4111
ST. LOUIS	1711 HEREFORD ST., ST. LOUIS 10, MO.	MOhawk 4-5550
SAN FRANCISCO	877 COWAN ROAD, BURLINGAME, CALIF.	OXford 7-7416

