



Williams

1962

PARTS CATALOG



Williams ELECTRONIC MANUFACTURING CORP.

4242 W. Fillmore St.
Phone NEvada 2-4900

Chicago 24, Ill. U.S.A.
Cable Address: Wilcoin

Dear Operator:

Your "WILLIAMS" game is a sound investment that will make money if, you keep your "WILLIAMS" game,

"Factory Fresh"

Just keep it as clean and bright as the day you took it out of the crate and it will make MORE money!

Back in 1956 "WILLIAMS" began a program that completely revamped our games from top to bottom. This is a job that will never be finished.

There is a motto prominently displayed in our Engineering Department that reads:

"Never be satisfied-There is a better way to do it."

This is our belief--to this we are dedicated.

Right now "WILLIAMS" is delivering the finest product in the Amusement Game Industry. This is proven by the overwhelming acceptance and demand for "WILLIAMS" games all over the world. Much of this progress has been made possible because you, the operator, and our best friend, have always given us the benefit of your experience in the field.

You may be certain that your suggestions always demand our earnest attention and consideration.

We are dedicated to making our games as service-free as possible- but, also to make them so that they are easily serviced should the need arise.

This catalog is designed to help you so that when you do need service it is a simple matter to order the correct genuine "WILLIAMS" parts from your WILLIAMS DISTRIBUTOR.

BUY THE BEST-BUY WILLIAMS

WILLIAMS ELECTRONIC MFG. CORP.
4242 W. FILMORE STREET
CHICAGO 24, ILLINOIS, U.S.A.

WHEN ORDERING PARTS

1. Refer to the catalog and order all parts by number and description, specifying quantity and name of game for which parts are being ordered.
2. Figure prices as quoted in the catalog. All prices are subject to change without notice.
3. Returned merchandise will not be accepted unless previously authorized.
4. All prices net F.O.B. our factory.

TABLE OF CONTENTS

	Page No.		Page No.
100 STEP UNIT.....	1	SWITCH ASSEMBLY PARTS.....	32
50 STEP UNIT (Resetting).....	2	WIRE FORMS.....	33
50 STEP UNIT (Non-Resetting).....	3	PLAYFIELD ARCHES.....	34
REPLAY UNIT.....	4	SLUG REJECTOR MOUNTING & PARTS.....	35
DRIVE ARM & PAWL ASSEMBLIES (50 Step).....	5	CABINET PARTS.....	36
100 STEP UNIT PARTS — WIPER ASSEMBLY.....	6	CABINET PARTS.....	37
GEAR & SHAFT ASSEMBLIES (50 Step & 100 Step).....	7	INSERT HINGE — MISCELLANEOUS PARTS.....	38
SNOWSHOE WIPER ASSEMBLIES (50 Step & 100 Step).....	8	ROAD RACER — STEERING WHEEL ASSEMBLY.....	39
10 STEP UNIT (With Contact Disc).....	9	ROAD RACER — STEERING MECHANISM.....	40
10 STEP UNIT (Without Contact Disc).....	10	ROAD RACER — TIMER MOTOR — CAR ASSEMBLY.....	41
10 STEP UNIT PARTS.....	11	ROAD RACER — DRUM MOTOR & PARTS.....	42
RELAY BANK ASSEMBLY.....	12	ROAD RACER — MISCELLANEOUS PARTS.....	43
"JET" BUMPER ASSEMBLY.....	13	POOL TABLE — MISCELLANEOUS PARTS.....	44
SWINGING TARGET ASSEMBLY.....	14	PITCHER UNIT ASSEMBLY (Official Baseball).....	45
DISAPPEARING JET BUMPER.....	15	BALL TRACK ASSEMBLY.....	46
DISAPPEARING JET BUMPER.....	16	PITCHER UNIT ASSEMBLY.....	47
"E" RELAY ASSEMBLY.....	17	PITCHER UNIT ASSEMBLY.....	48
"Z" & "M" RELAY ASSEMBLIES.....	18	BATTER UNIT ASSEMBLY.....	49
LATCH RELAY ASSEMBLY.....	19	BAT HANDLE LEVER ASSEMBLY.....	50
BALL LIFT ASSEMBLIES.....	20	BAT HANDLE LEVER ASSEMBLY (1957 Baseball).....	51
BALL LIFT ASSEMBLY & PARTS.....	21	MAN RUNNING UNIT ASSEMBLY.....	52
BALL SHOOTER & BALL RELEASE ASSEMBLIES.....	22	BALL PLAYER ASSEMBLIES.....	53
FLIPPER ASSEMBLY & PARTS.....	23	BASEBALL MISCELLANEOUS PARTS.....	54
BALL EJECT ASSEMBLIES.....	24	RIFLE ASSEMBLY & PARTS.....	55
KICKER ASSEMBLY & PLUNGER ASSEMBLY.....	25	GUN GAME PARTS.....	56
KNOCKER ASSEMBLY & SHOOTER COIL ASSEMBLY.....	26	GUN GAME PARTS.....	57
BELL & BELL ASSEMBLIES.....	27	BOWLER MANNIKIN & PARTS.....	58
SOLENOID PLUNGERS.....	28	BOWLER — MISCELLANEOUS PARTS.....	59
COIL REPLACEMENT SLEEVES.....	29	HORSE GAME — PARTS.....	60
SWITCH ASSEMBLIES.....	30	PRICE LISTING — (Arranged by Group of Related Parts).....	61-66
CAM FOLLOWERS & SWITCH BLADES.....	31	PRICE LISTING — (Arranged in Numerical Order).....	67-74

ALPHABETICAL INDEX OF GAMES

Description	Page
BASEBALL GAMES.....	45 to 54
BOWLING (Ten Pin & Ten Strike)	58 to 59
FIVE BALL PIN GAMES	1 to 38
GUN TYPE.....	55 to 57
HORSE RACE GAMES.....	60
POOL GAMES.....	44
ROADRACER.....	39 to 43

ALPHABETICAL INDEX

Description	Page	Description	Page
— A —			
ARCH, BOTTOM PLAYFIELD	34	CONTACT DISC ASSEMBLY (Disappearing Jet Bumper)	15
ARCH HOLE LINER	34	CONTACT DISC ASSEMBLY (10 Step Unit)	11
ARMATURE ASSEMBLIES, "E" RELAY	17	CONTACT FINGER ASSEMBLY (10 Step Unit)	11
ARMATURE ASSEMBLIES, "Z" RELAY	18	— D —	
ASSEMBLIES (Price Listing)	61	DISAPPEARING JET BUMPER ASSEMBLY	15-16-61
— B —			
BALLS (Price Listing)	65	DOORS, CABINET (Price Listing)	62
BALL EJECT ASSEMBLIES	24	DRIVE ARM & PAWL ASSEMBLIES	5-6
BALL FLAP	54	DRIVE CRANK ASSEMBLY (10 Step Unit)	11
BALL GATE	36	— E —	
BALL KICKER ASSEMBLY	25-61	"E" RELAY, ASSEMBLY & PARTS	17
BALL LIFT ASSEMBLY	20-21	EJECT, BALL EJECT ASSEMBLY	24
BALL LIFT GUIDE	21	— F —	
BALL PUSHER ASSEMBLY	20	FASTENERS (Price Listing)	66
BALL RAMP	54	FINGER, CONTACT FINGER ASSEMBLY (10 Step Unit)	11
BALL RELEASE ASSEMBLY	22	FISHPAPER BLADES	32
BALL SHOOTER ASSEMBLY	22	FLIPPER BUTTON ASSEMBLY	36
BALL STOP BRACKET	38	FLIPPER & COIL ASSEMBLY	23-61
BANK, RELAY BANK ASSEMBLY	12	FLIPPER PLUNGER ASSEMBLY	25
BASEBALL PLAYERS	45-53	FRONT MOULDING (Price Listing)	61
BASEBALL PARTS	45 to 54	FUSES (Price Listing)	65
BASE, SWITCH ASSEMBLY	30	— G —	
BAT, PLASTIC	49	GATE, BALL	36
BAT HANDLE LEVER ASSEMBLIES	51	GEARS & SHAFTS (Step Units)	7
BATTER UNIT ASSEMBLY	49-61	GLASS, PLAYFIELD (Price Listing)	61
BELL ASSEMBLY, LARGE	27	GLASS, SCREENED LITEBOX (Price Listing)	61
BELL ASSEMBLY, SMALL	27	GROUND WIRE, (10 Step Unit)	11
BOWLER MANNIKIN	58-63	GUN GAME PARTS	55-56-57
BOWLING PIN, TEN PIN, TEN STRIKE	59-63	— H —	
BUMPER ASSEMBLY, "JET"	13-61	HARDWARE, MISCELLANEOUS (Price Listing)	66
BUMPER SWITCH ASSEMBLY	30	HINGE, INSERT	38
BUMPER SWITCH BLADE	31	HOLE COVER ASSEMBLY	19
— C —			
CABINETS, FIVE BALL (Shelf Type) (Price Listing)	61	HORSE GAME PARTS	60-63
CABINETS, FIVE BALL (Single Player) (Price Listing)	61	— I —	
CABINETS, FIVE BALL (Multi Player) (Price Listing)	61	INSERT HINGE	38
CABINETS, MISCELLANEOUS HARDWARE (Price Listing)	61	INSULATOR BLADES, SWITCHES	32
CABINET DOORS (Price Listing)	62	— J —	
CAM FOLLOWERS	31	"JET" BUMPER ASSEMBLY	13-61
CAM, MOTOR CAM ASSEMBLIES	28	"JET" BUMPER DISAPPEARING	15-16-61
CAM & RATCHET HUB - 10 STEP UNIT	11	"JET" BUMPER SWITCH ASSEMBLY	30
CARBON PLUMB BOB ASSEMBLY	36	— K —	
CIGARETTE HOLDER	37	HEY HOOK	37
COILS (Price Listing)	64	KICKER ASSEMBLY	25
COIL REPLACEMENT SLEEVES	29	KNOCKER ASSEMBLY	26
COMMUTATOR BRUSH ASSEMBLY (Roadracer)	43-61		
COIN CHUTES (Price Listing)	64		
COIN ENTRY PLATE	37		
COIN GUIDE	35		
COIN REJECTOR MOUNTING	35		
COIN RETURN CUP	35		
COIN SLIDE ASSEMBLY	38		
COIN SWITCH	35		
COIN SWITCH WIRE	35		

Description	Page
— L —	
LATCH, RELAY ASSEMBLY	19
LEGS, METAL (Price Listing)	61
LEGS, TUBULAR (Price Listing)	61
LIFT, BALL LIFT ASSEMBLY	20-21
LIFT, BALL LIFT GUIDE	21
LIFTER, SWITCH BLADE LIFTER	32
LIGHT BULBS (Price Listing)	65
LIGHT SOCKETS (Price Listing)	65
LOCK, BACK DOOR (Price Listing)	61
LOCK, FRONT DOOR (Price Listing)	61
LOCK ARM ASSEMBLY (100 Step Unit)	6
LOCK ASSEMBLY (Roadracer)	43-62

— M —

"M" RELAY ASSEMBLY & PARTS	18
MAN RUNNING UNIT (Baseball)	52
METER, COUNTING	36
MISCELLANEOUS CABINET HARDWARE (Price Listing)	61
MISCELLANEOUS HARDWARE (Price Listing)	66
MOTORS (Price Listing)	63
MOTOR-CAM ASSEMBLIES	28
MOTOR-DISAPPEARING "JET" BUMPER	15
MOTOR-DRUM UNIT (Roadracer)	42-62
MOTOR-PITCHER UNIT	48
MOTOR-SWINGING TARGET	14
MOTOR-TIMER UNIT (Roadracer)	41-62
MOULDING-CABINET (Price Listing)	61

— P —

PAWL ASSEMBLIES	5-6-11
PLASTIC BAT (Baseball)	49
PLASTIC FLIPPER ASSEMBLY	23-64
PLASTIC PARTS (Price Listing)	64
PLASTIC TARGET	14-64
PITCHER UNITS (Baseball)	45-47-48-61
PLUNGER ASSEMBLY, FLIPPER	25
PLUNGERS, SOLENOID	28
POOL TABLE PARTS	44-62-63
PULLEYS-ROADRACER	40-42-62
PUSHER, BALL LIFT PUSHER ASSEMBLY	20

— R —

RATCHET, GEAR & SHAFT ASSEMBLIES	7
RATCHET, HUB & CAM (10 Step Unit)	11
REBOUND RUBBER ASSEMBLY	36
REEL, (10 Step Unit)	11
REJECTOR, MOUNTING ASSEMBLY	35
RELAY BANK ASSEMBLY	12
RELAY ASSEMBLY "E" TYPE	17
RELAY ASSEMBLY - LATCH	19
RELAY ASSEMBLY - "M" TYPE	18
RELAY ASSEMBLY - "Z" TYPE	18

Description	Page
RELAY COILS (Price Listing)	64
RELEASE, BALL RELEASE ASSEMBLY	22
REPLACEMENT, COIL SLEEVES	29
REPLAY UNIT	4
RESET ARM ASSEMBLY	6
RESISTORS, (Price Listing)	65
RIFLE ASSEMBLY	55
ROADRACER PARTS	39-40-41-42-43-61
ROLLOVER SWITCH BLADES	31
ROLLOVER WIRE FORMS	33
ROLL TILT ASSEMBLY	37
RUBBER PARTS (Price Listing)	65
RUBBER RINGS (Price Listing)	65
RUBBER BAT SLEEVE	49
RUN SWITCH ASSEMBLY	30

— S —

SHAFTS-GEAR & SHAFT ASSEMBLIES	7
SHOOTER-BALL SHOOTER ASSEMBLIES	22
SHOOTER COIL ASSEMBLY	26
SNOWSHOE WIPER ASSEMBLY	6-8
SOLENOID PLUNGERS	28
SPACERS-SWITCH	32
SPRINGS- WIPER ASSEMBLIES	6-8
STAND UP SWITCH ASSEMBLY	30
STEERING WHEEL PARTS (Roadracer)	39-40
STEP UNITS-10 STEP	9-10-61
STEP UNITS-50 STEP	2-3-4-61
STEP UNITS-100 STEP	1-61
SWITCH ASSEMBLIES	30-65
SWITCH BLADES	31
SWITCH PARTS	32
SWINGING TARGET ASSEMBLY	14-61

— T —

TARGET-PLASTIC	14-61
TARGET-SWINGING TARGET ASSEMBLY	14-61
TARGET SWITCH ASSEMBLY	30
TARGET SWITCH BLADES	31
TEN PIN & TEN STRIKE PARTS	58-59-63
TILT ASSEMBLY-CARBON PLUMB BOB	36
TILT-ROLL TILT ASSEMBLY	37
TRANSFORMERS (Price Listing)	64
TUBING SWITCH	32

— W —

WHEEL STEERING WHEEL PARTS (Roadracer)	39-40-62
WIPER ASSEMBLIES	6-8
WIPER BLADES	6-8
WIPER SPRINGS	6-8
WIRE FORMS	33

— Z —

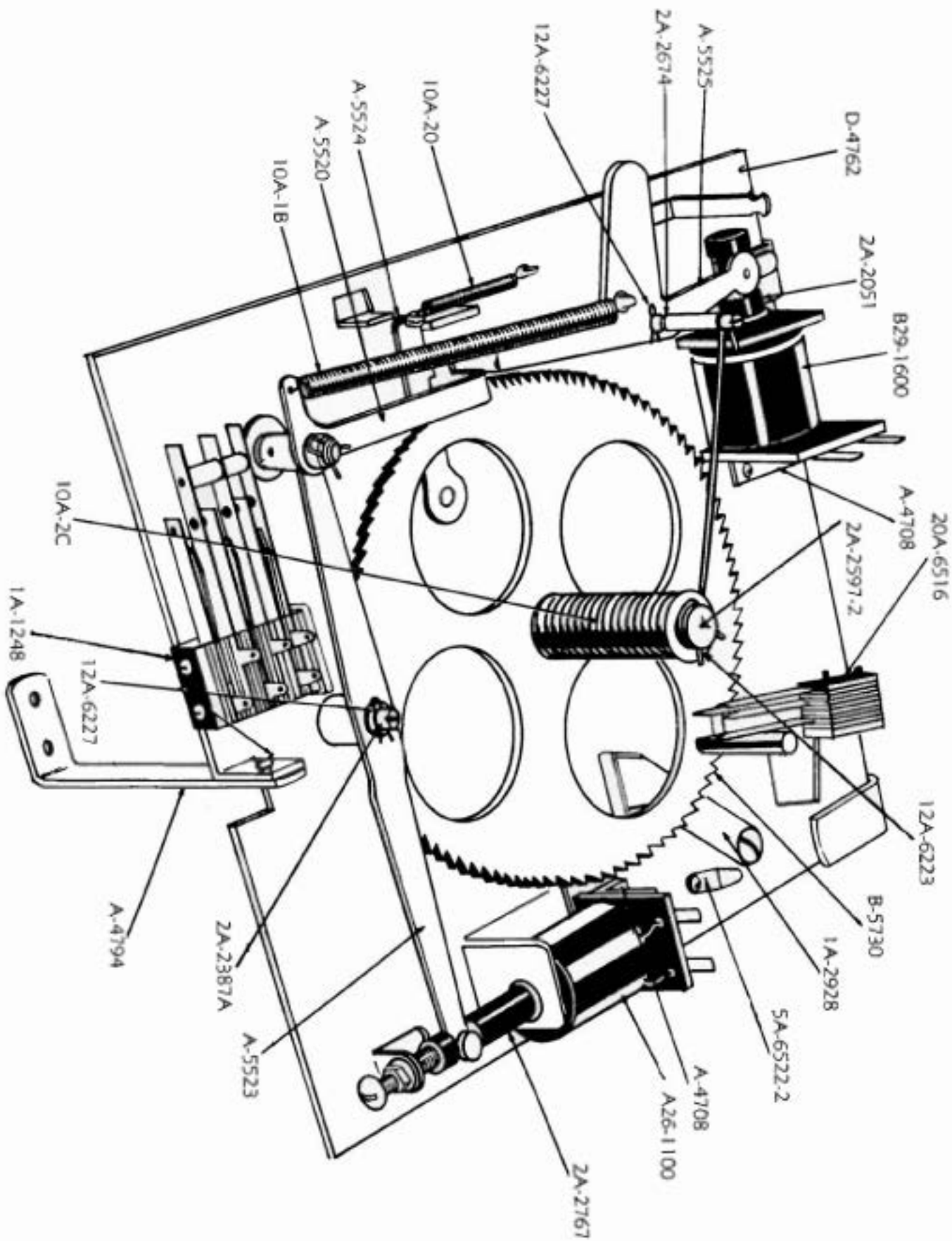
"Z" RELAY-ASSEMBLY & PARTS	18
----------------------------	----

LUBRICATION GUIDE.

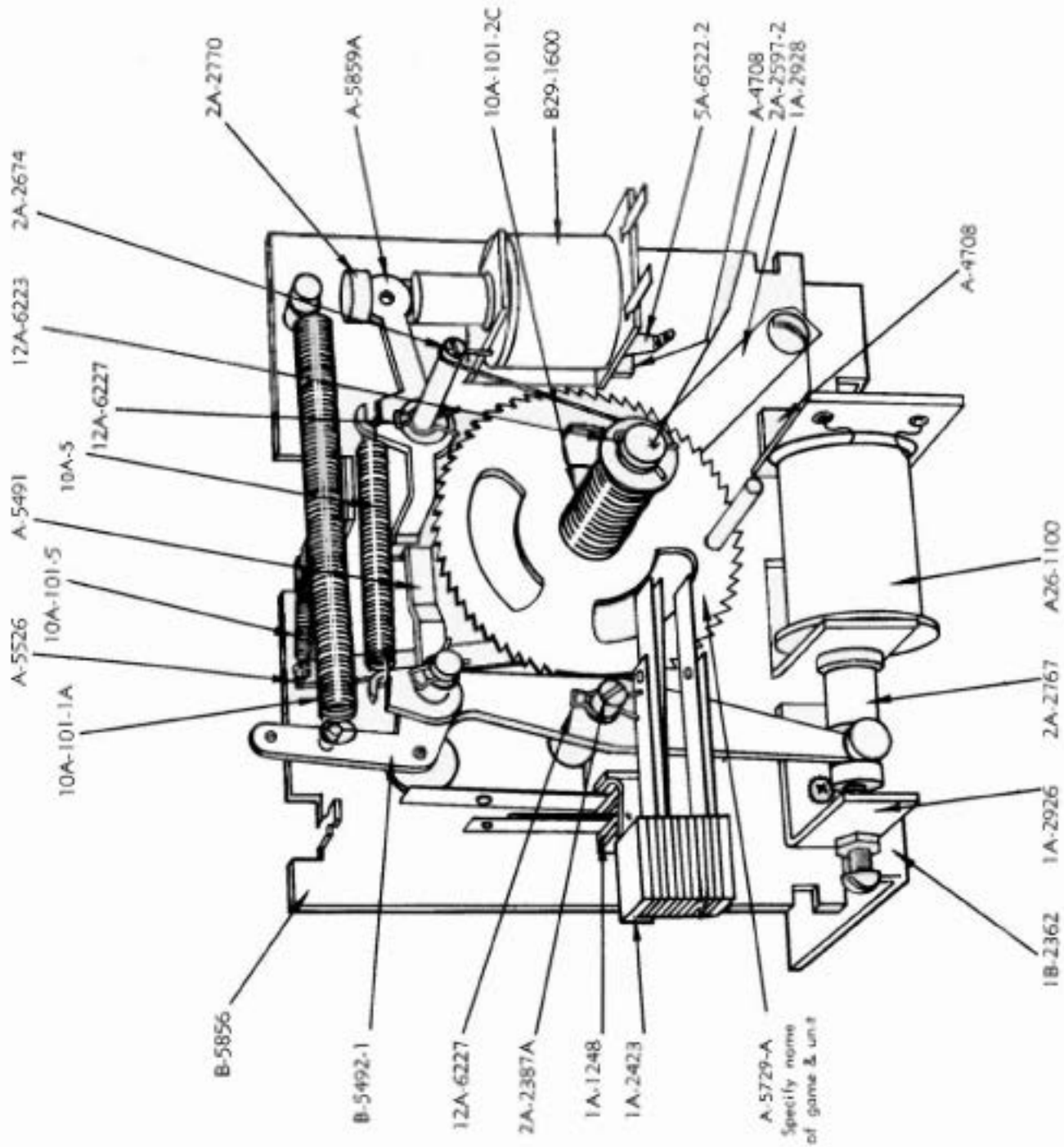
	FINE OIL 3 IN 1	LUBRIPLATE (WHITE)	GUNSLICK (BLACK)	PARAFFIN OR SOAP
STEP AND REPLAY UNITS.				
Do not lubricate solenoid plungers!				
Drive, reset and lock arms pivot		X		
Ratchet shaft	X			
Ratchet teeth (metal)			X	
Ratchet pawl pivots		X		
Torsion springs	X			
Contact disc segments and rivets		X		
RELAY BANK ASSEMBLIES.				
Do not lubricate solenoid plunger!				
Crank arm pivots		X		
Rear leg hinge pivots		X		
Reset arm lift edge		X		
JET BUMPERS & DISAPPEARING JET.				
Do not lubricate solenoid plungers!				
Bumper switch cup		X		
Rods		X		
Cam lock arm pivot		X		
Bumper cam link pivots		X		
Rollers	X			
BALL EJECT & KICKER ASSEMBLIES.				
Do not lubricate solenoid plunger!				
Ejector or kicker pivots		X		
Link		X		
FLIPPER ASSEMBLIES.				
Do not lubricate solenoid plunger!				
Armature link		X		
BALL RELEASE ASSEMBLY.				
Do not lubricate solenoid plunger!				
Fibre Link		X		
Ball release lever pivot		X		

	FINE OIL 3 IN 1	LUBRIPLATE (WHITE)	GUNSLICK (BLACK)	PARAFFIN OR SOAP
BALL SHOOTER ASSEMBLY.				
Shooter rod	X			
BALL LIFT PUSHER ASSEMBLY				
Push rod	X			
Pusher end assembly (at bushing)	X			
Pusher end assembly (end face)		X		
BALL LIFT ASSEMBLY.				
Ball lift arm pivots		X		
RELAYS.				
No lubrication except surface in contact with latch arm of interlocking relay. At this point use lubriplate.				
BELLS, KNOCKERS SHOOTER COILS.				
No lubrication.				
SLUG REJECTORS.				
No lubrication.				
SLUG REJECTOR MOUNTING ASSEMBLY.				
Actuating arm pivot	X			
Plunger	X			
MOTORS, OPEN GEAR CASE.				
Gear trains	X	X		
FLIPPER BUTTONS.				
Bushing (in cabinet)	X			
BALL SHUFFLE PANELS (MASONITE.)				
Sliding edge of panels and guides				X

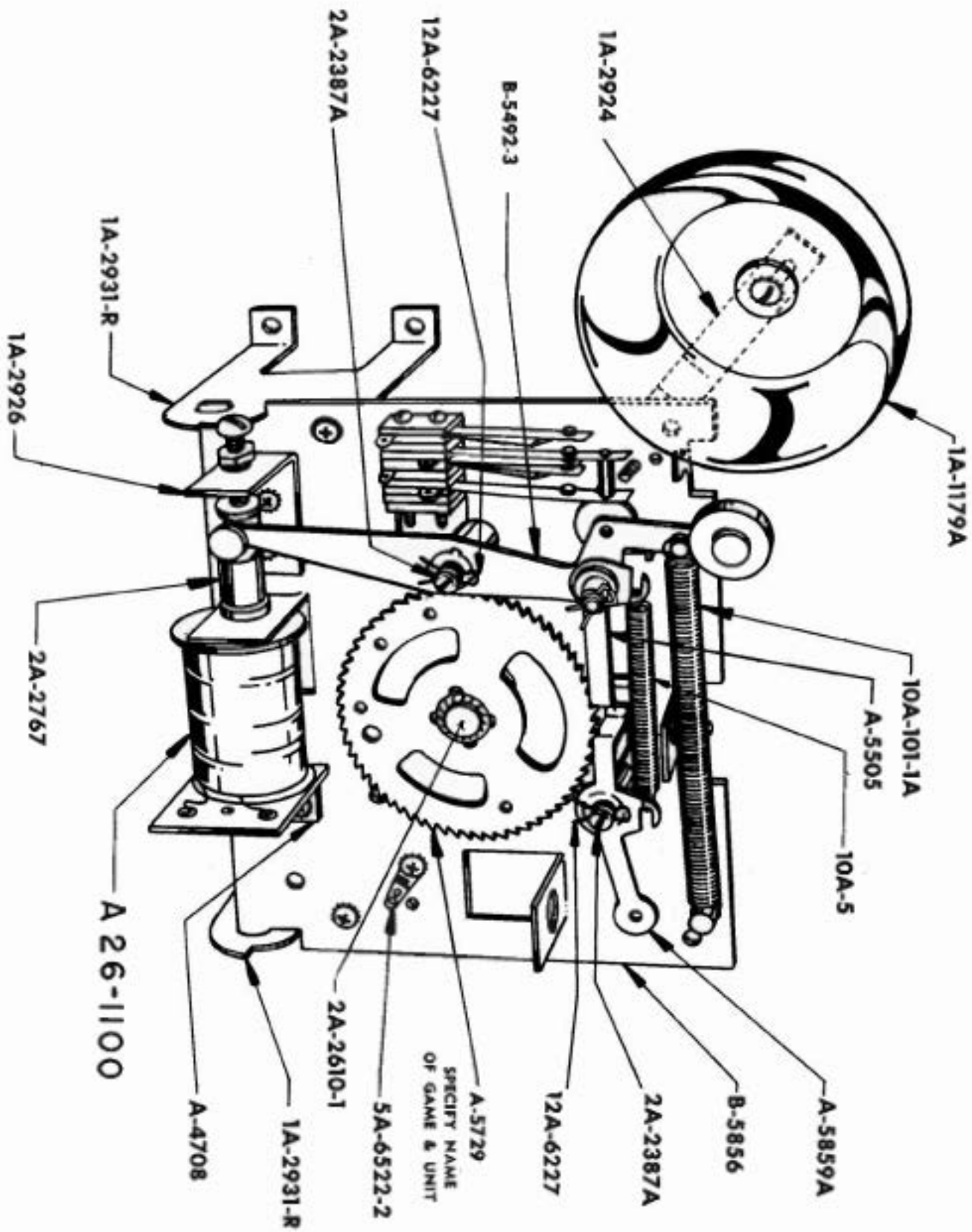
No. D-4798 100 STEP UNIT



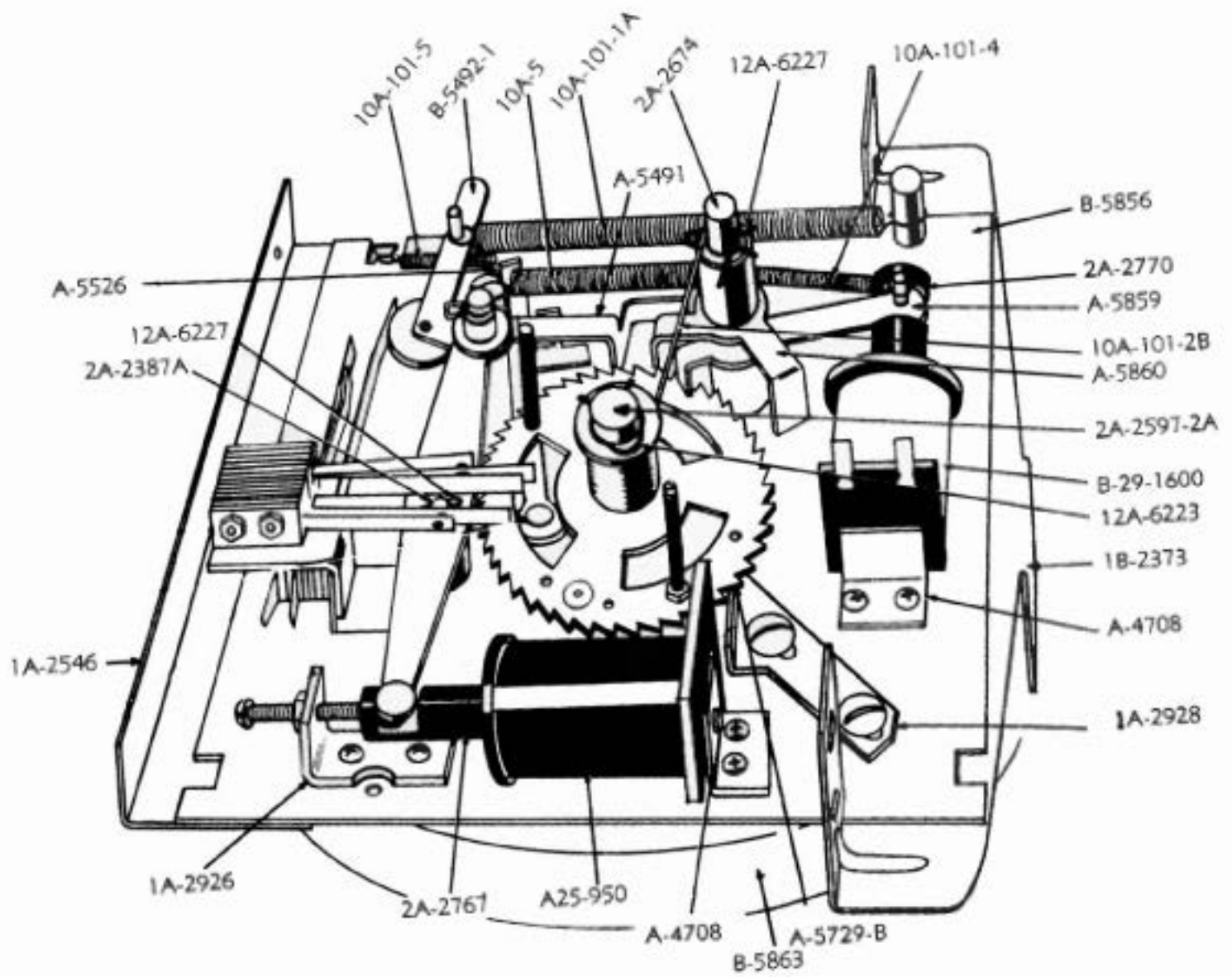
50 STEP UNIT — RESETTING
C-5694



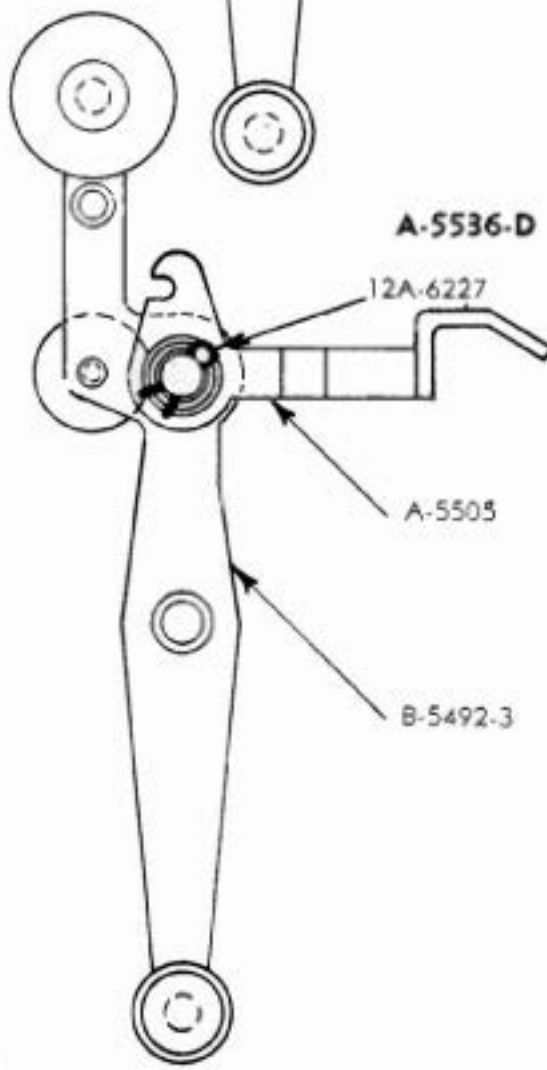
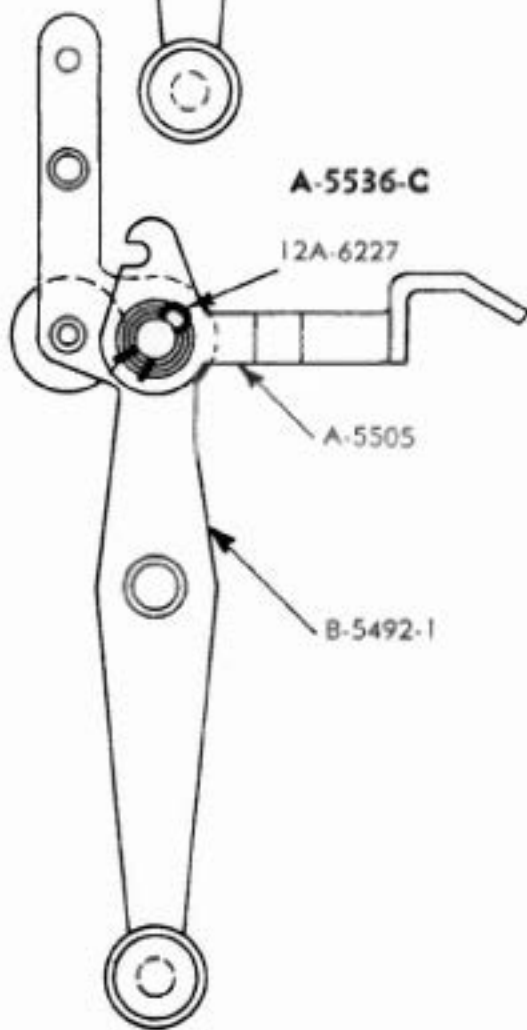
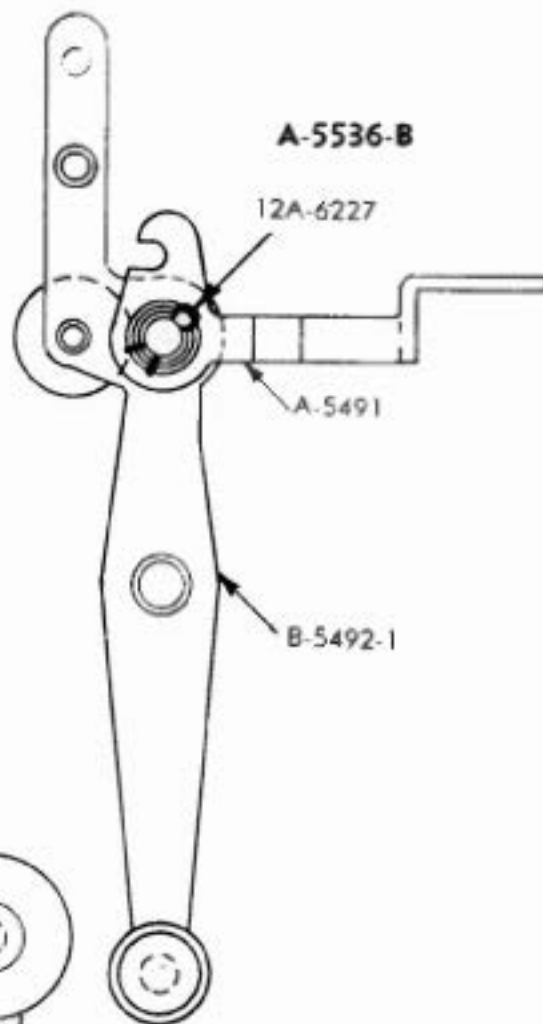
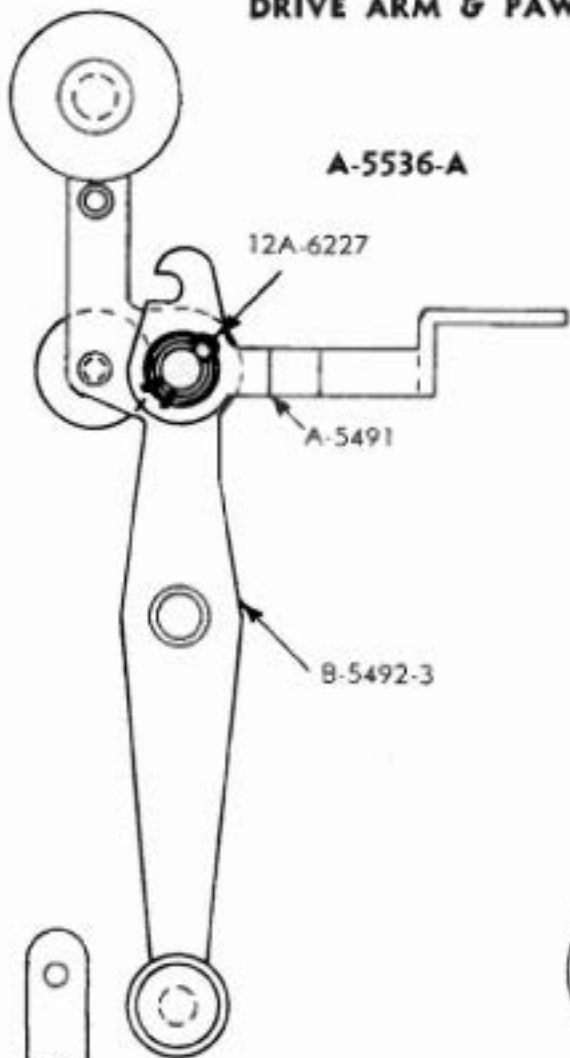
50 STEP UNIT (NO RESET) C-5745



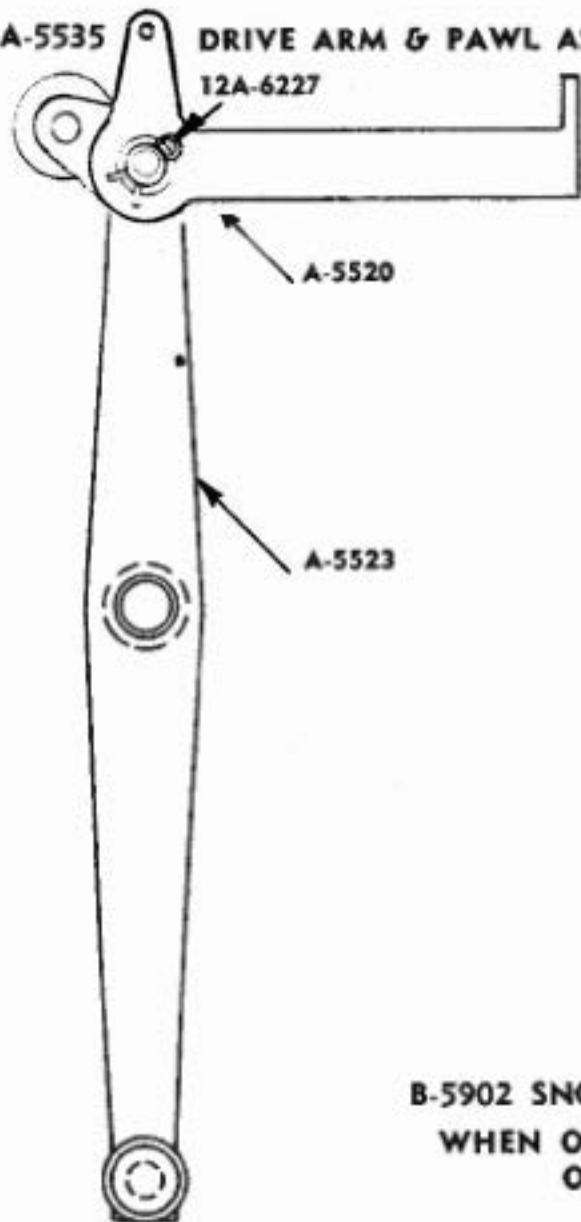
No. C-5866 REPLAY UNIT ASSEMBLY



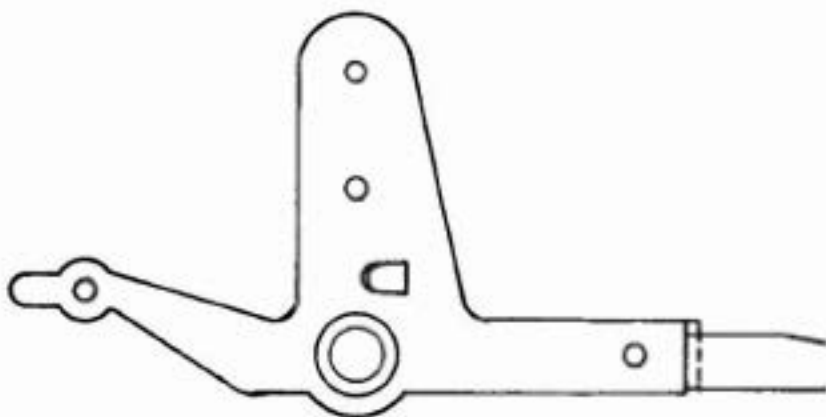
DRIVE ARM & PAWL ASSEMBLIES (50 STEP UNITS)



A-5535 DRIVE ARM & PAWL ASSEMBLY



A-5525 RESET ARM ASSEMBLY

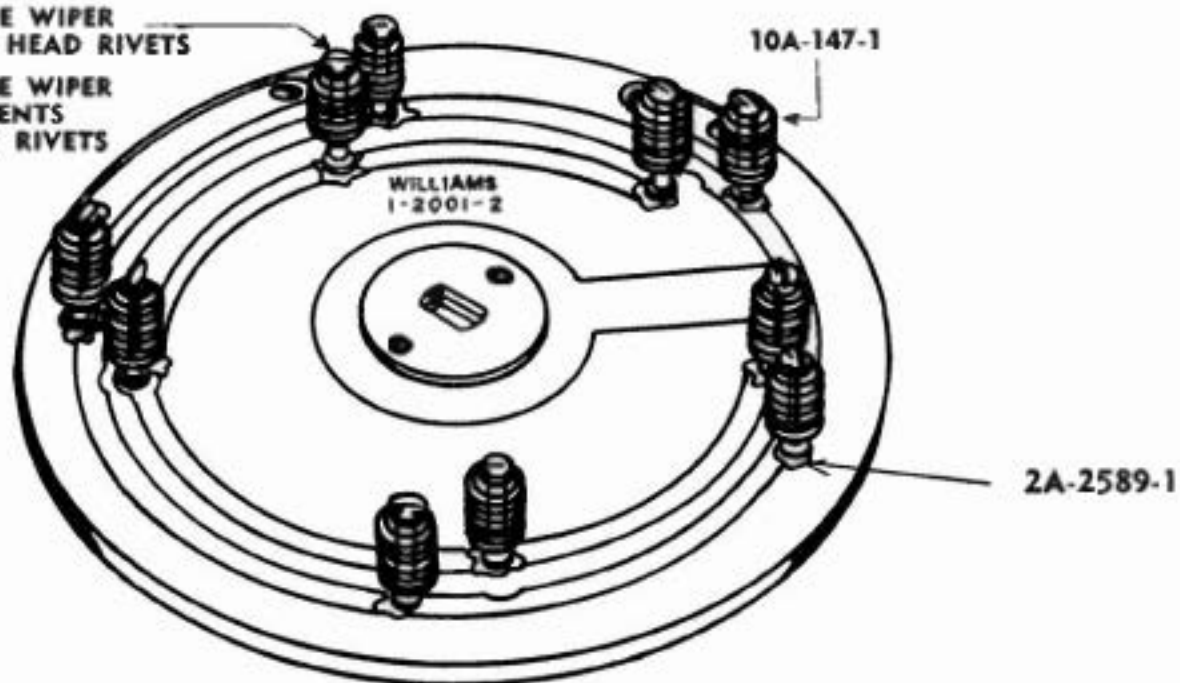


A-5524 LOCK ARM ASSEMBLY



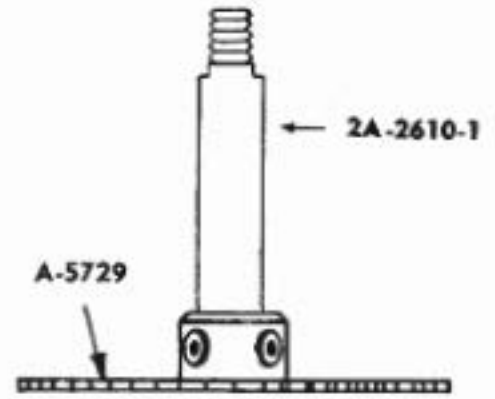
B-5902 SNOWSHOE WIPER ASSEMBLY
WHEN ORDERING SPECIFY NAME
OF GAME & UNIT

1A-2000 BLADE WIPER
USE ON FLAT HEAD RIVETS
1A-2098 BLADE WIPER
USE ON SEGMENTS
& OVAL HEAD RIVETS

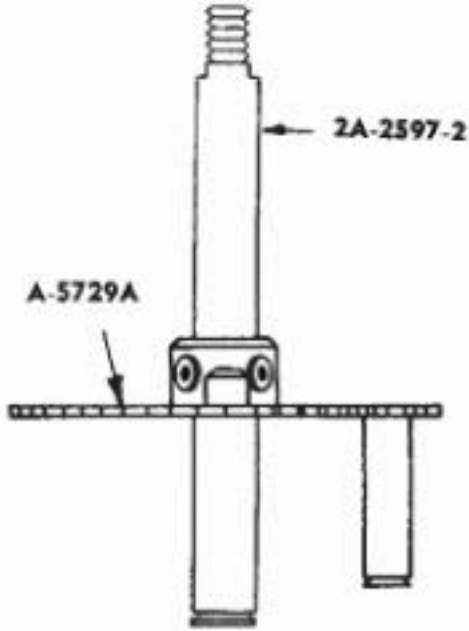


50-TOOTH RATCHET GEAR ASSEMBLY

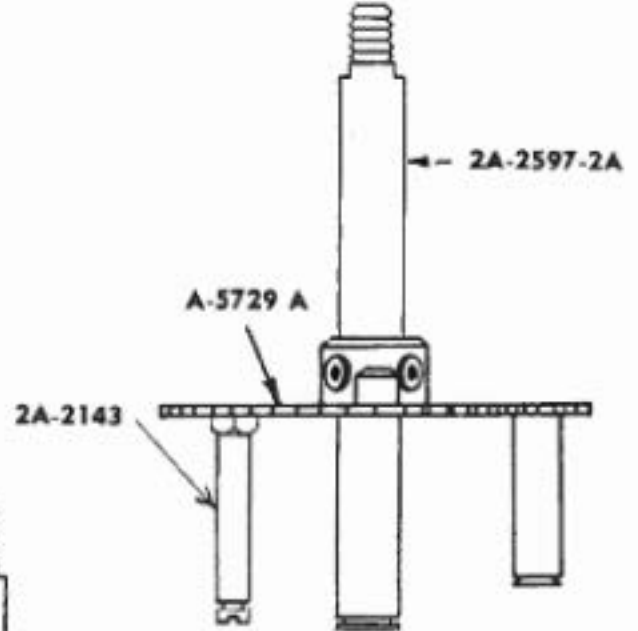
(Specify name of unit and game)



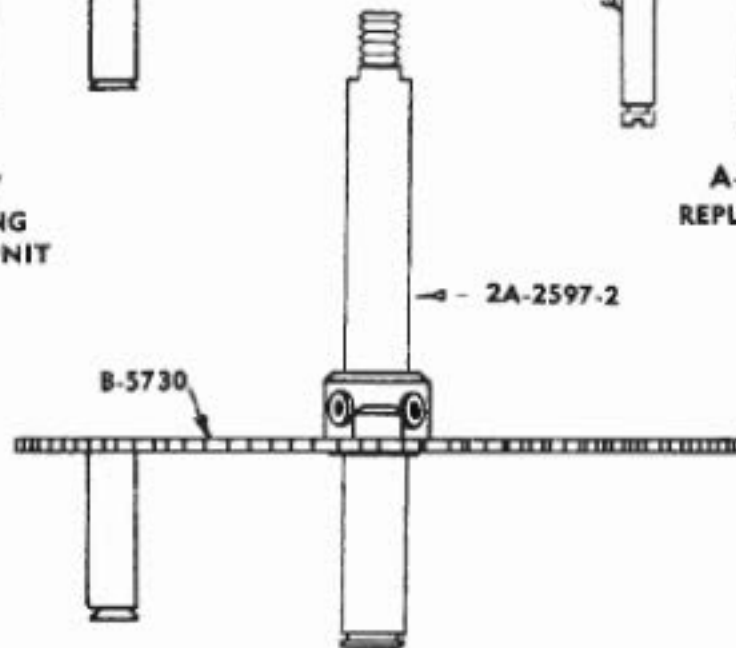
**A-5946
NON-RESETTING
50 STEP UNIT**



**A-5947
RESETTING
50 STEP UNIT**



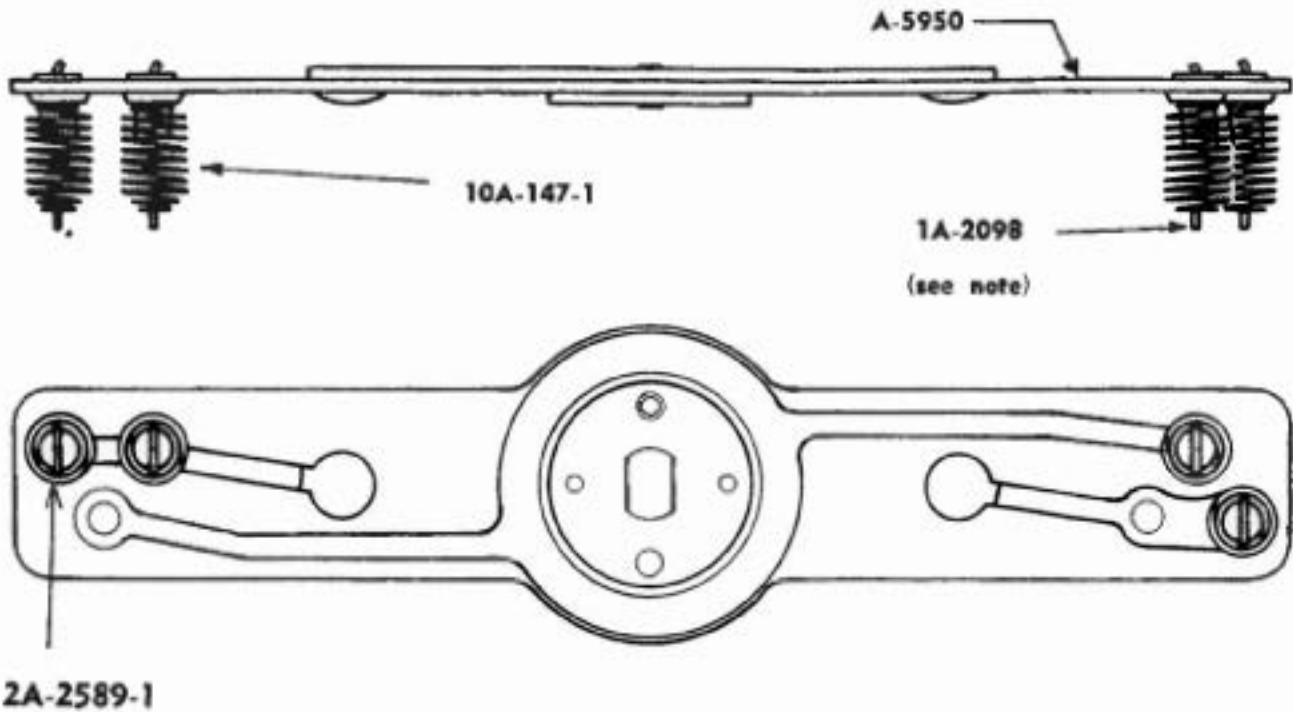
**A-5948
REPLAY UNIT**



**A-5949
100 STEP UNIT**

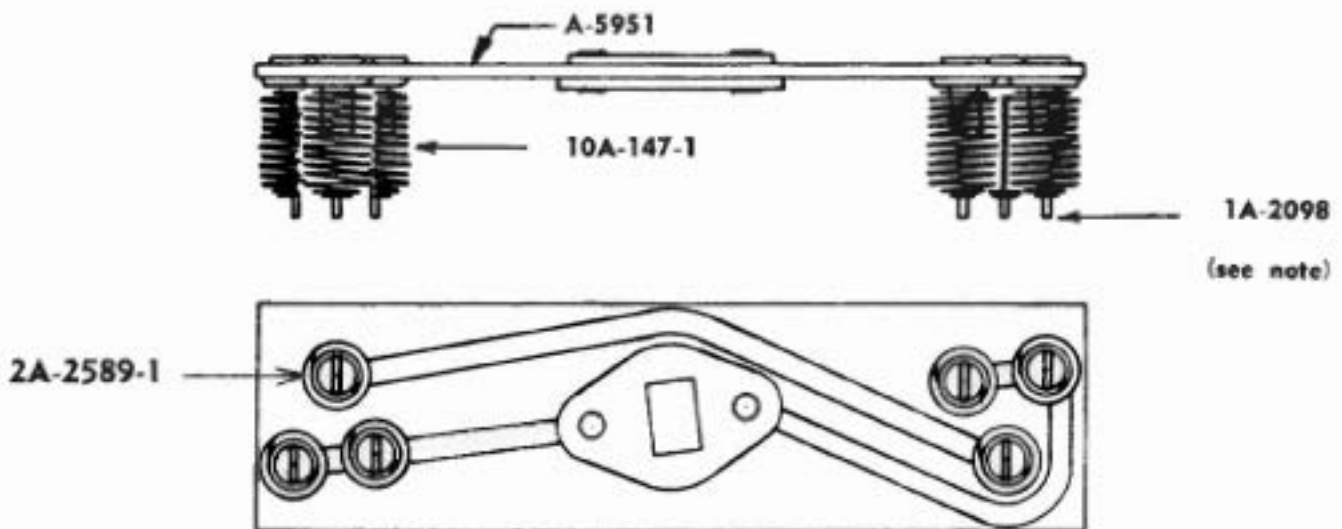
B-5732 100,000 UNIT SNOWSHOE WIPER ASSEMBLY

(Specify Name of Unit and Game)



B-5733 10,000 UNIT SNOWSHOE WIPER ASSEMBLY

(Specify name of unit and game)

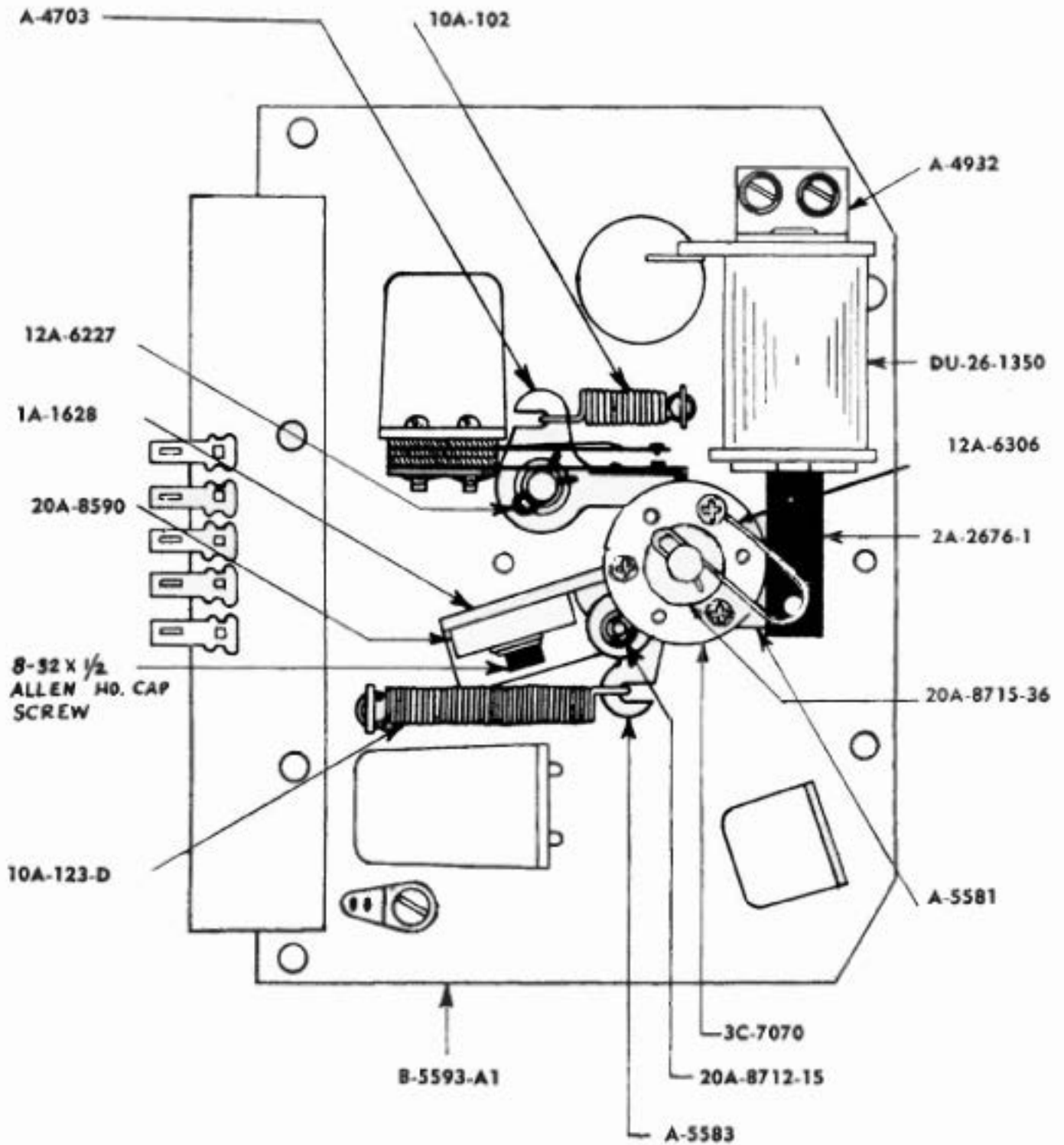


NOTE:

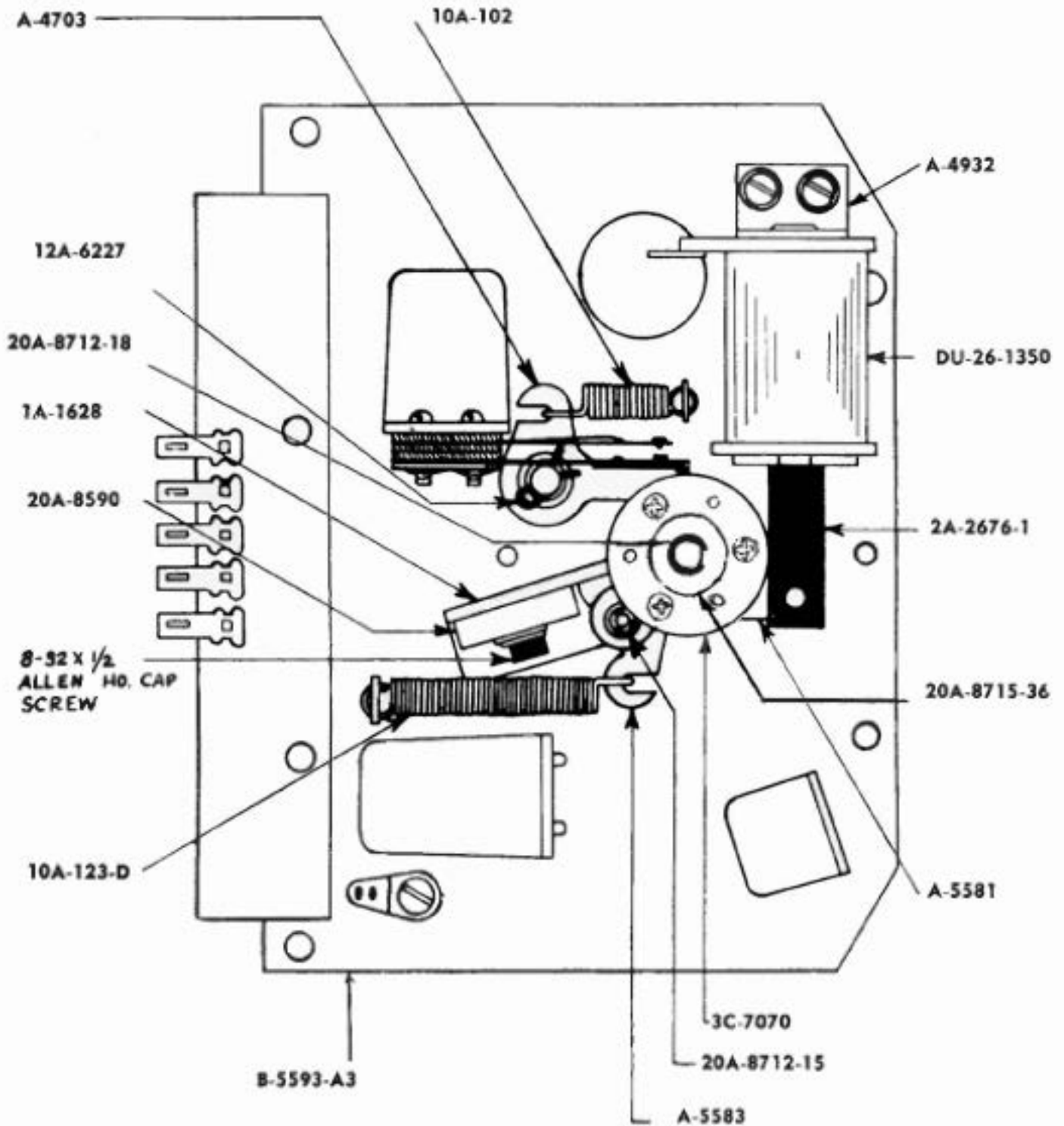
#1A-2000 Wiper Blade — use on flat head rivets

#1A-2098 Wiper Blade — use on segments & oval head rivets

**C-5726 10 STEP UNIT
WITH CONTACT DISC & FINGER ASS'Y.**



**C-5726-A 10 STEP UNIT
WITHOUT CONTACT DISC. & FINGER ASS'Y.**



ADJUST STOP 1A-1628 STOP SO THAT INDEX PAWL RESTS EXACTLY IN BASE OF GEAR TOOTH.

ADJUST DRIVE PAWL STOP 20A-8590 AGAINST DRIVE PAWL ASSY. A-5583

10 STEP UNIT PARTS



1C-1538 SCREENED REEL

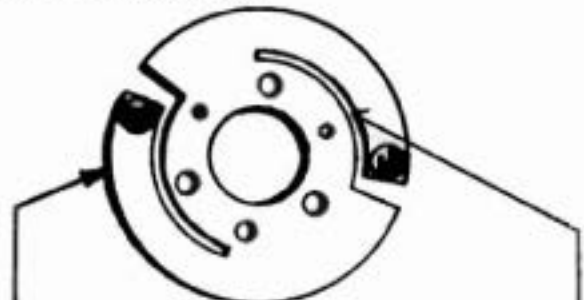


A-5581 DRIVE CRANK ASSEY.

Use Part No. 3A-6085
Nylon Crank on Old
Units with Paper Reel



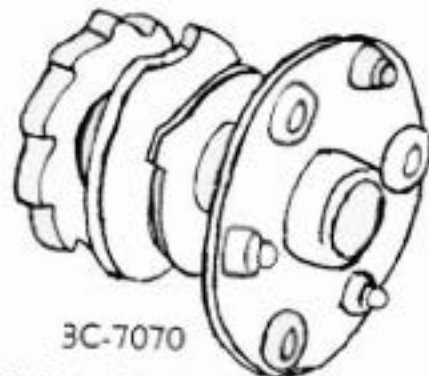
GROUND WIRE
12A-6306



A-4722 CONTACT FINGER ASSEMBLY
AS SHOWN

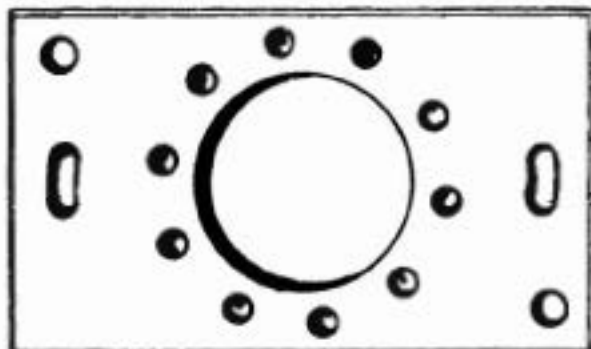
A-4722-A CONTACT FINGER ASSEMBLY
1 ARM CUTOFF

A-4722-B CONTACT FINGER ASSEMBLY
THIS ARM CUTOFF



3C-7070

NYLON CAM & RATCHET HUB



A-5003-1 CONTACT DISC. ASSEMBLY
SPECIFY UNIT POSITION & GAME NAME

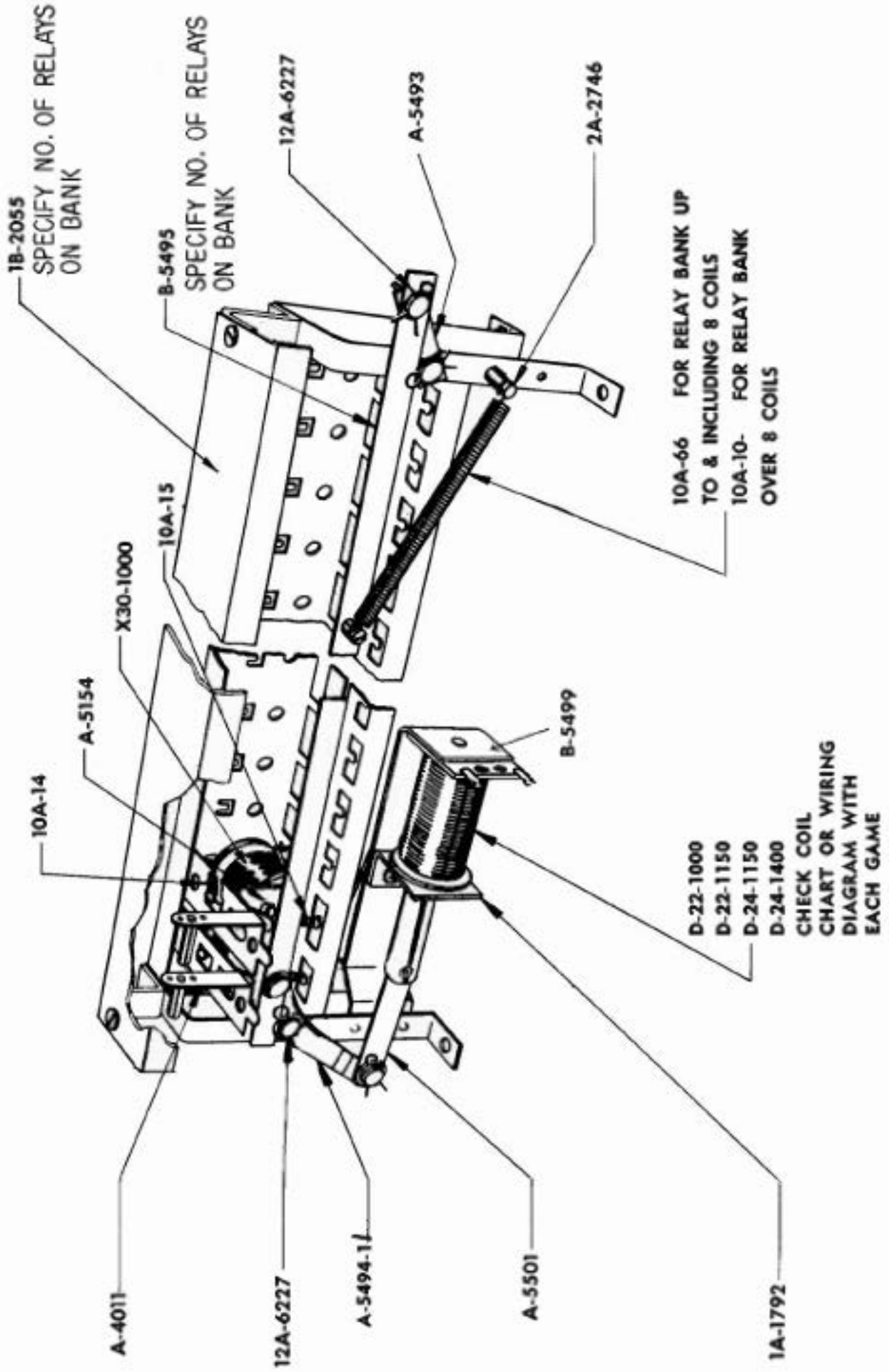


A-5583 DRIVE PAWL ASSY.

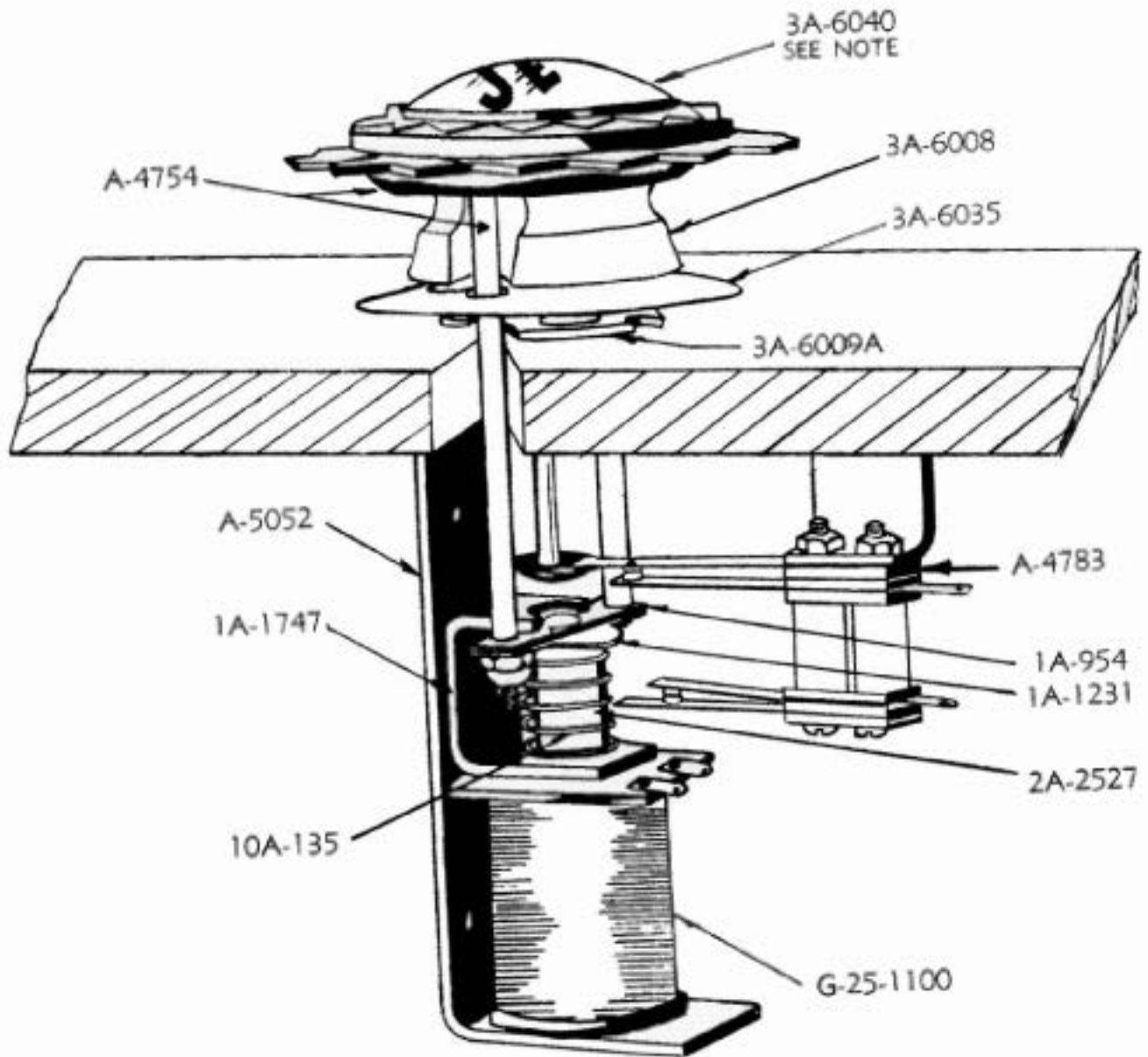


A-4703 INDEX PAWL ASSY.

C-5507 RELAY BANK ASSEMBLY

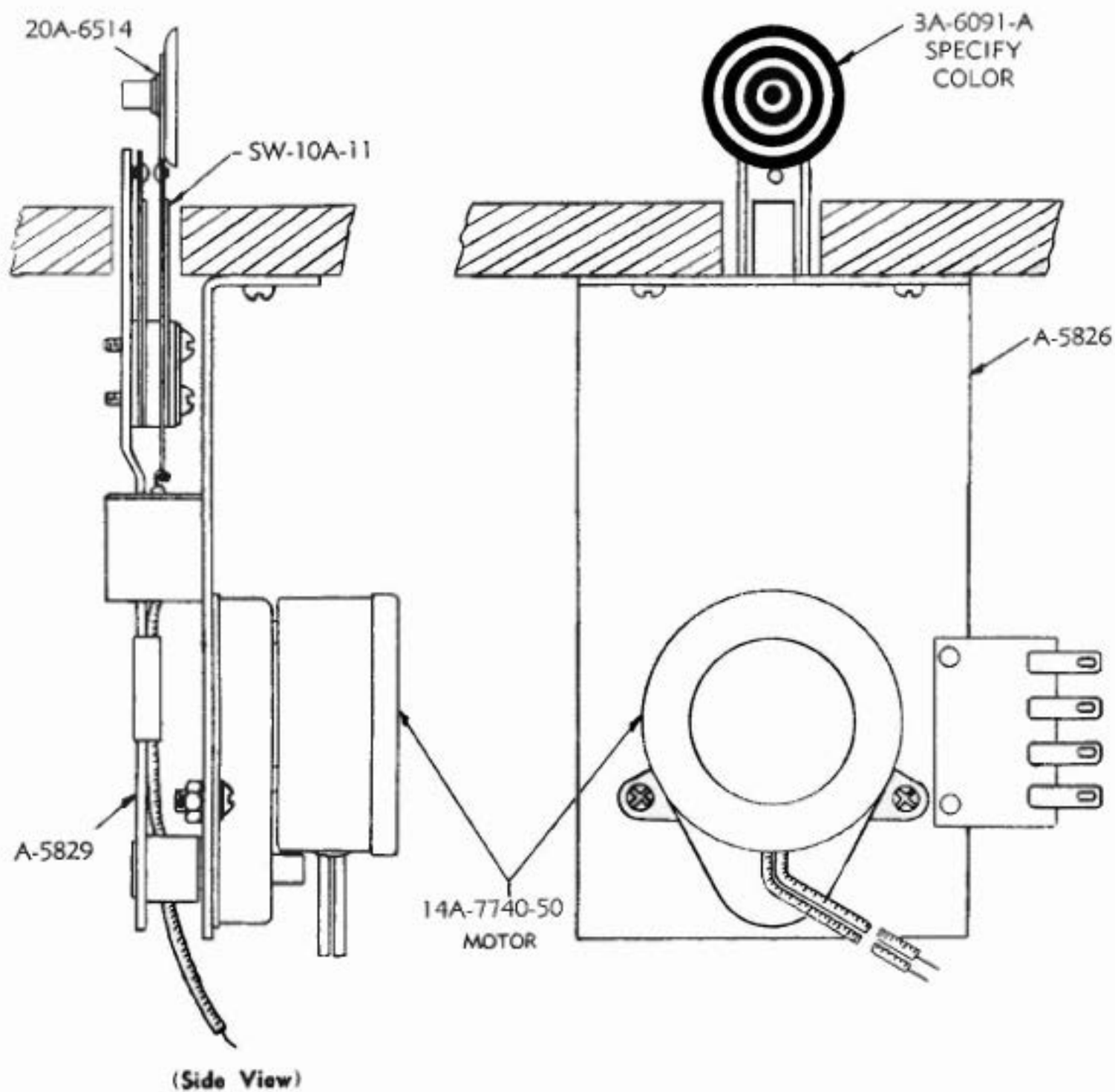


JET BUMPER ASSEMBLY B-5053

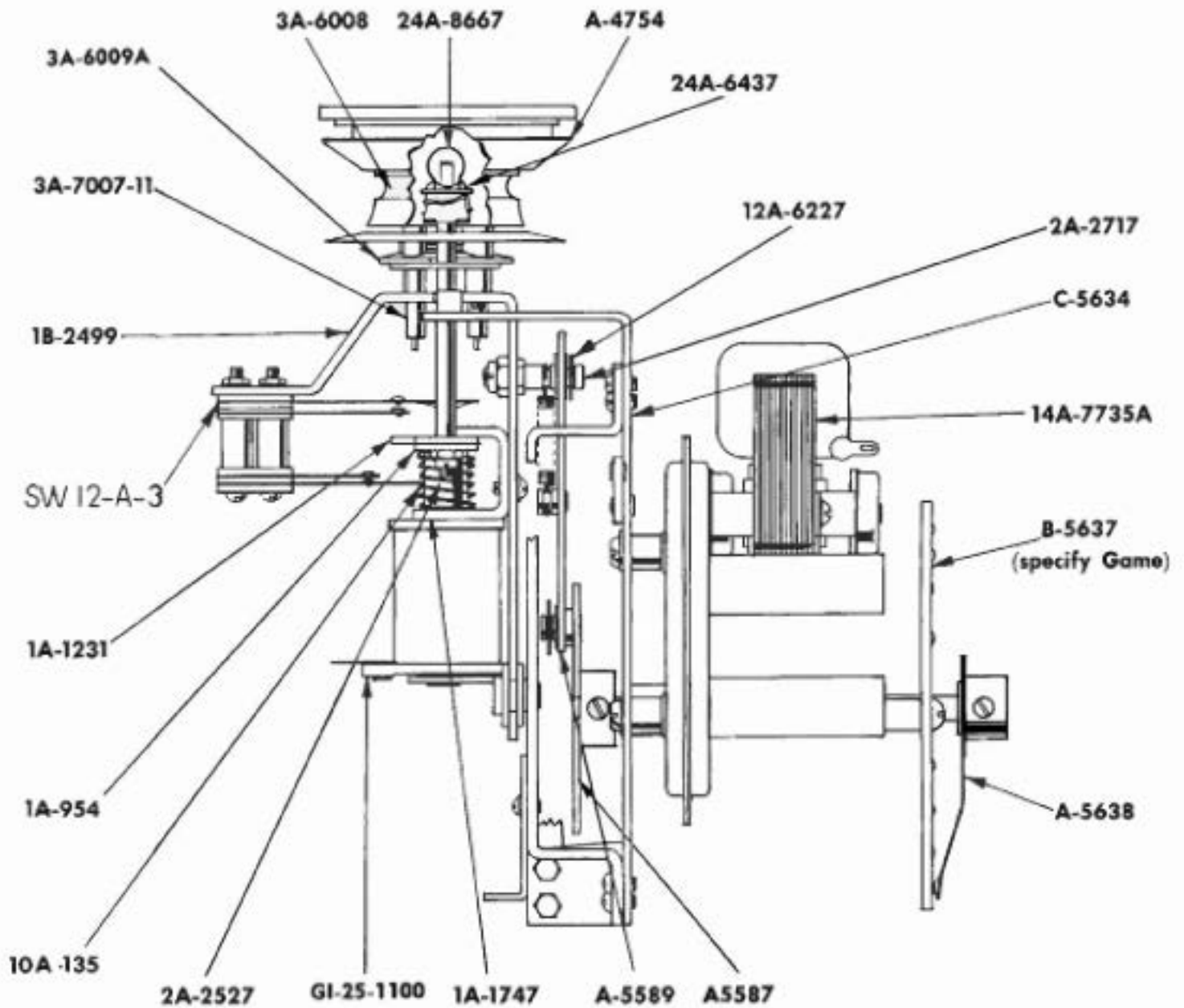


Note — Specify STAMPING and COLOR on all Caps

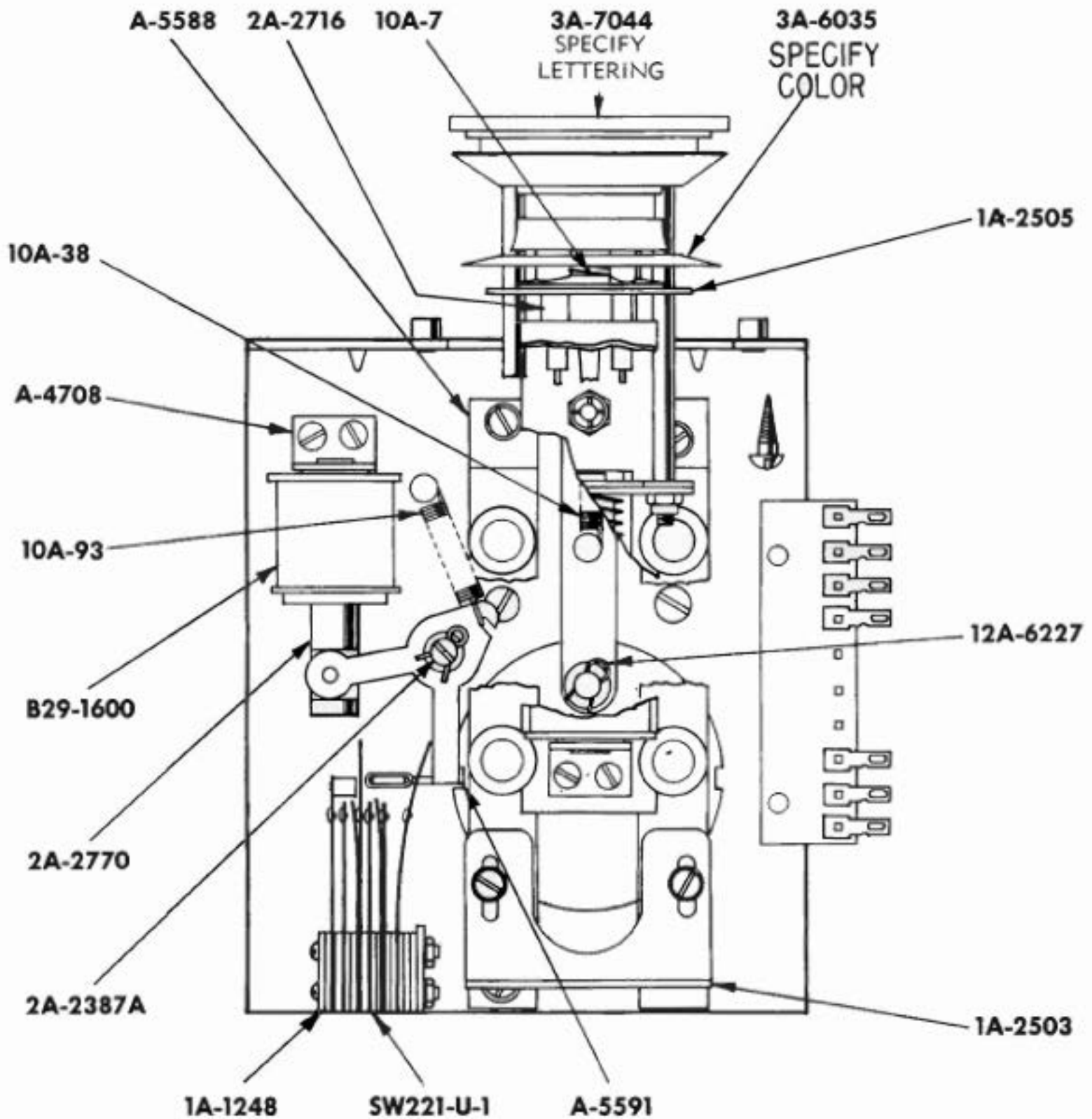
SWINGING TARGET ASSEMBLY B-5839



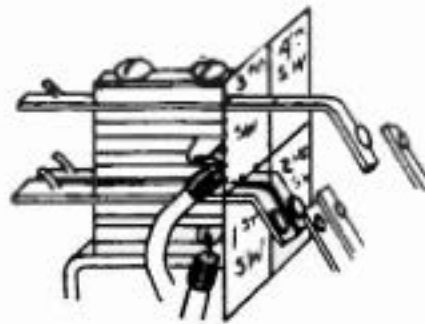
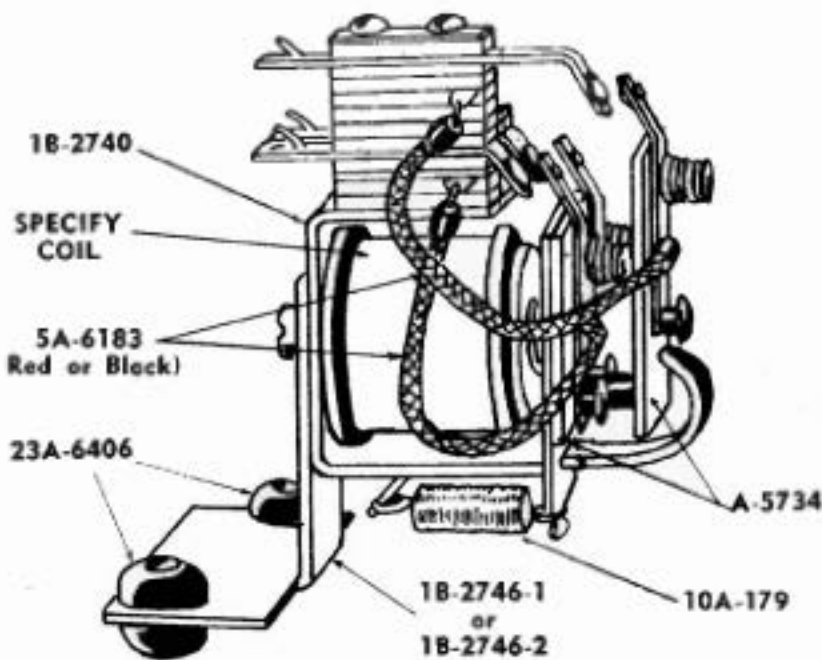
E-5590 DISAPPEARING JET BUMPER VIEW I



E-5590 DISAPPEARING JET BUMPER VIEW II



No. C-5735 "E" RELAY ASSEMBLY



EXAMPLE: (For relay shown above) 1st, 2nd and 3rd switches are "Make" switches and there is no switch in the 4th switch position. Therefore, the complete relay part No. is —

Relay Sub-ass'y	1st Switch	2nd Switch	3rd Switch	4th Switch
NO. C-5735	1	1	1	0

Part No. for complete relay is C-5735-1110

Part No. for complete armature is A-5734-1110

- 1 "MAKE" switch (normally open)
- 2 "BREAK" switch (normally closed)
- 3 "MAKE-BREAK" switch (single pole double throw)
- 0 Indicates no switch

Part No. for complete relay or armature assembly is derived by adding suffix No. to relay or armature sub-assembly No.

0	0
1	0

-1000

0	0
1	1

-1100

1	0
1	1

-1110

1	1
1	1

-1111

0	0
2	0

-2000

0	0
2	2

-2200

2	0
2	2

-2220

2	2
2	2

-2222

0	0
3	0

-3000

0	0
3	3

-3300

3	0
3	3

-3330

0	0
1	2

-1200

0	0
1	3

-1300

0	0
2	3

-2300

2	0
1	1

-1120

2	0
1	3

-1320

1	2
1	1

-1112

2	2
1	1

-1122

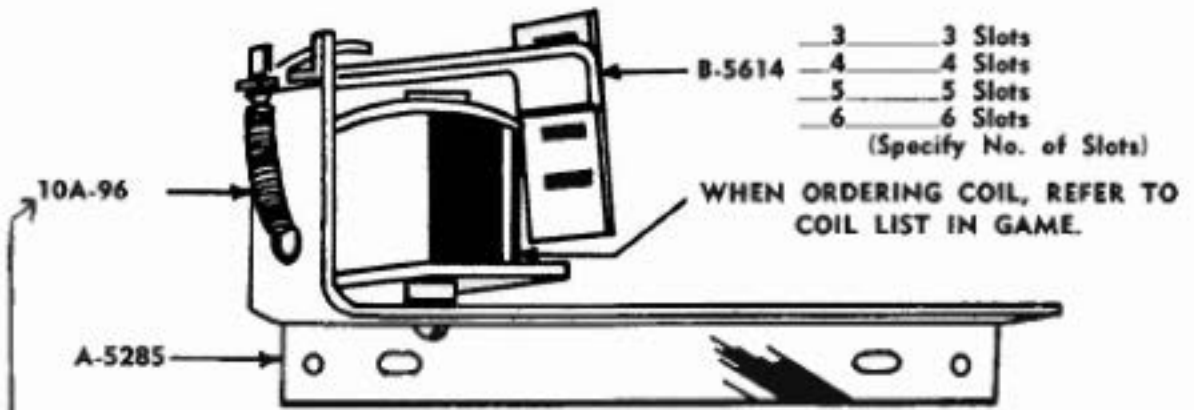
1	2
1	3

-1312

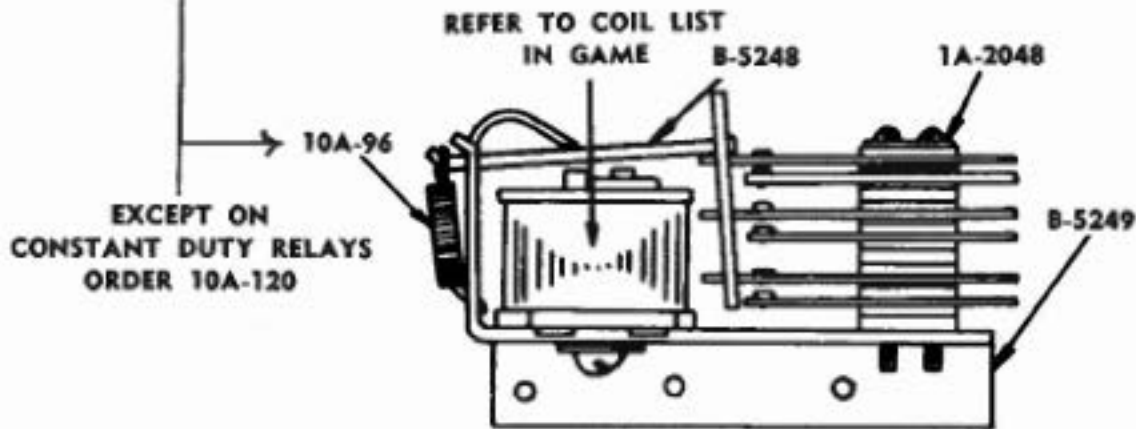
1	1
3	1

-3111

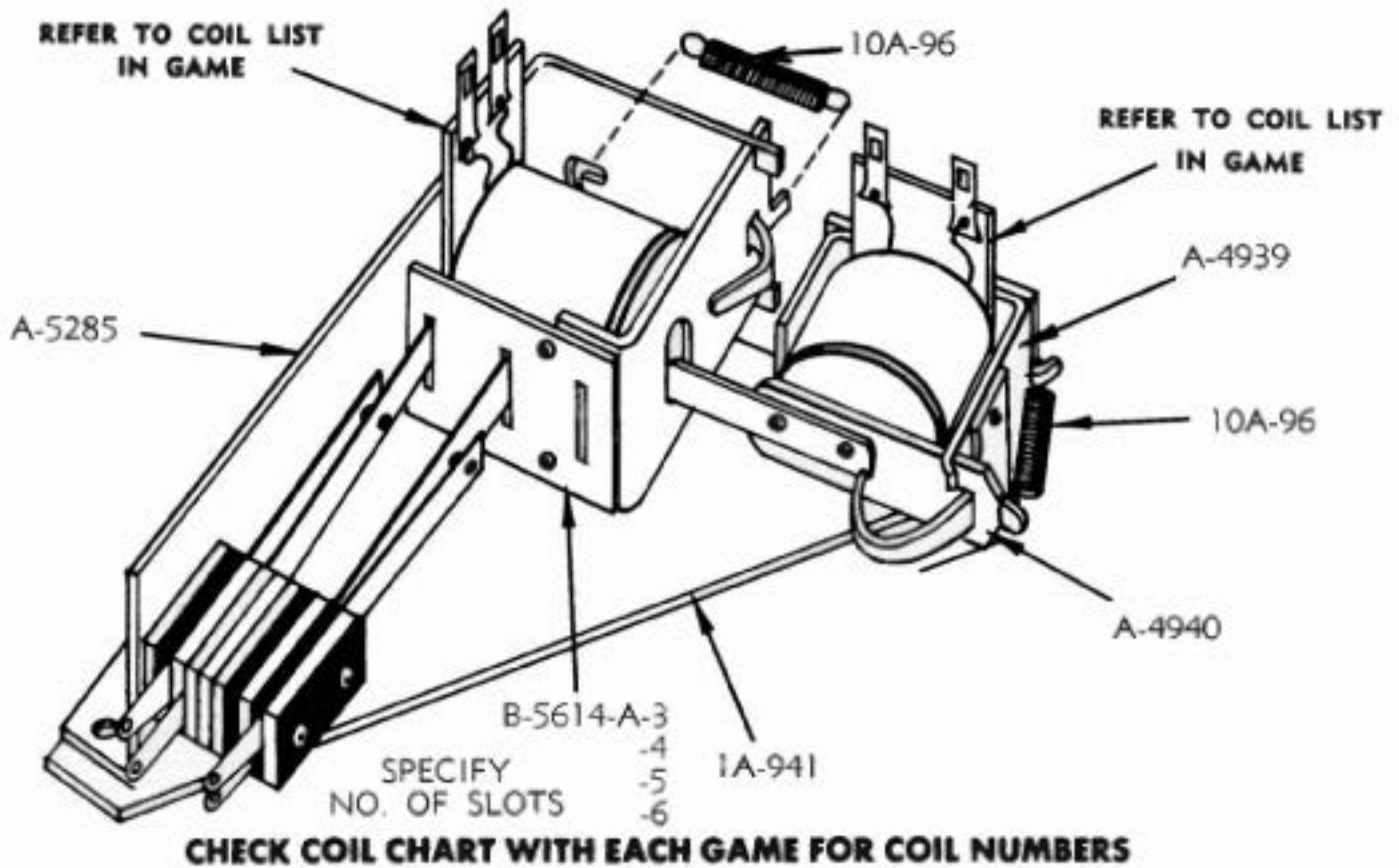
B-5645 "Z" RELAY ASSEMBLY



B-5250 "M" TYPE RELAY ASSEMBLY

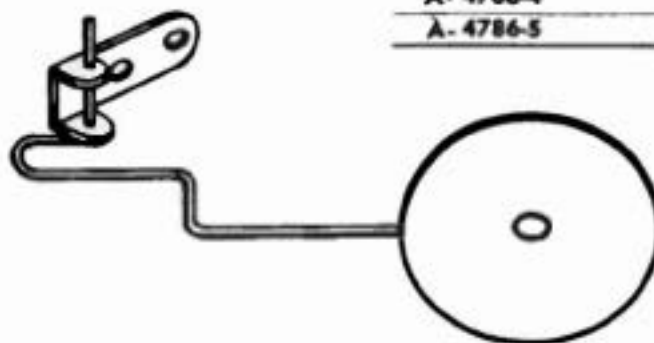


B-4938 LATCH RELAY ASSEMBLY

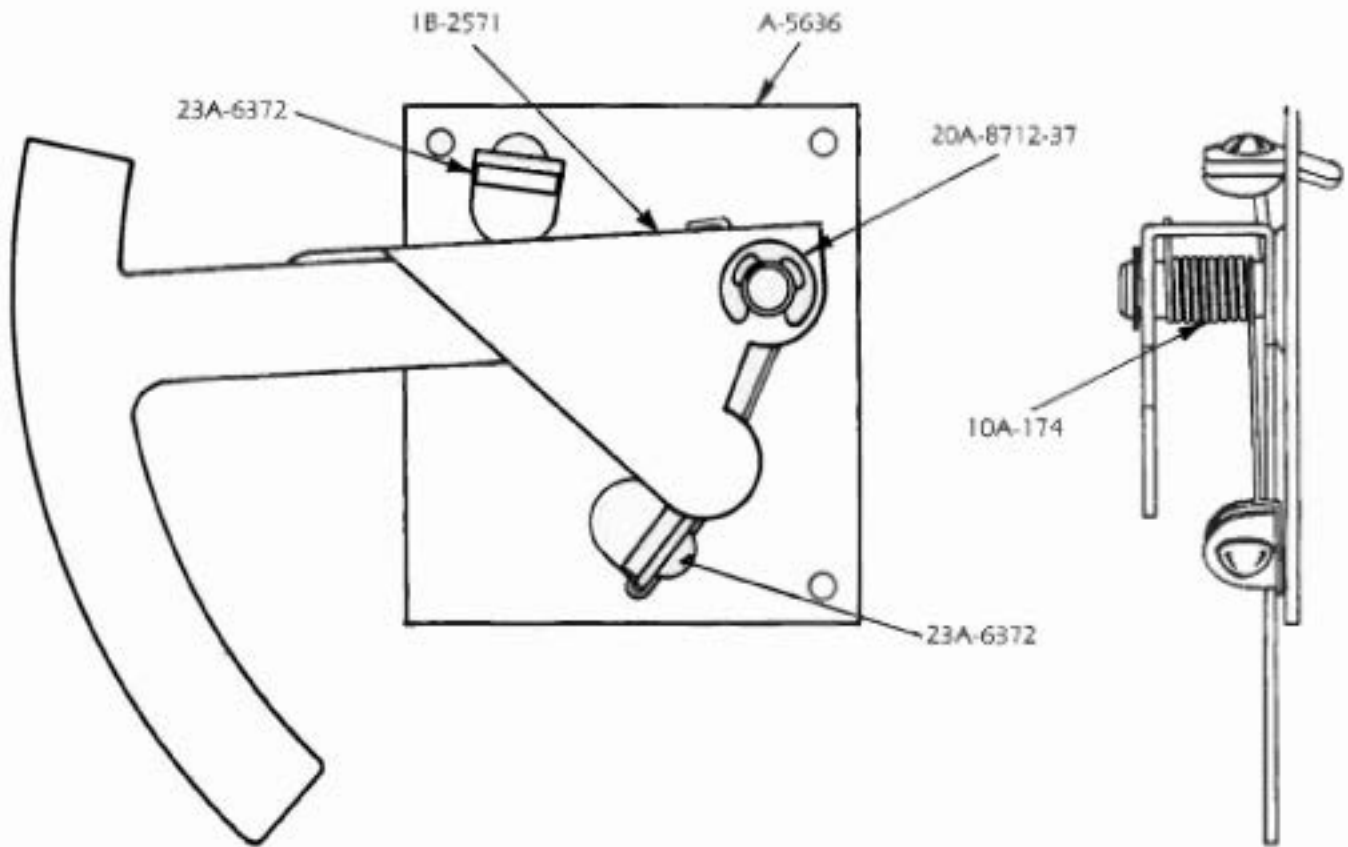


A-4786 HOLE COVER ASSEMBLY

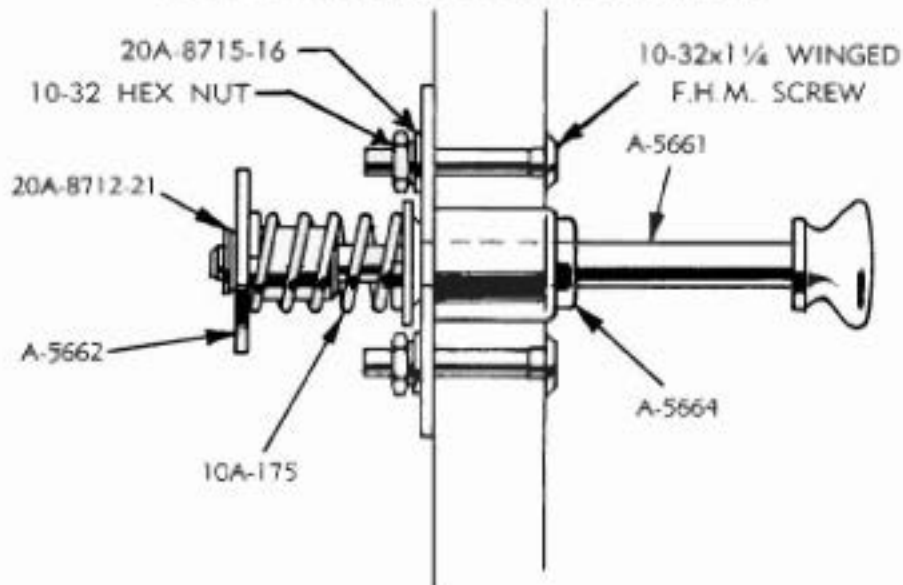
ASSEMBLY NO.	HOLE COVER SIZE
A- 4786-1	1.312 DIA.
A- 4786-2	1.625 DIA.
A- 4786-3	.875 DIA.
A- 4786-4	.625 DIA.
A- 4786-5	.750 DIA.



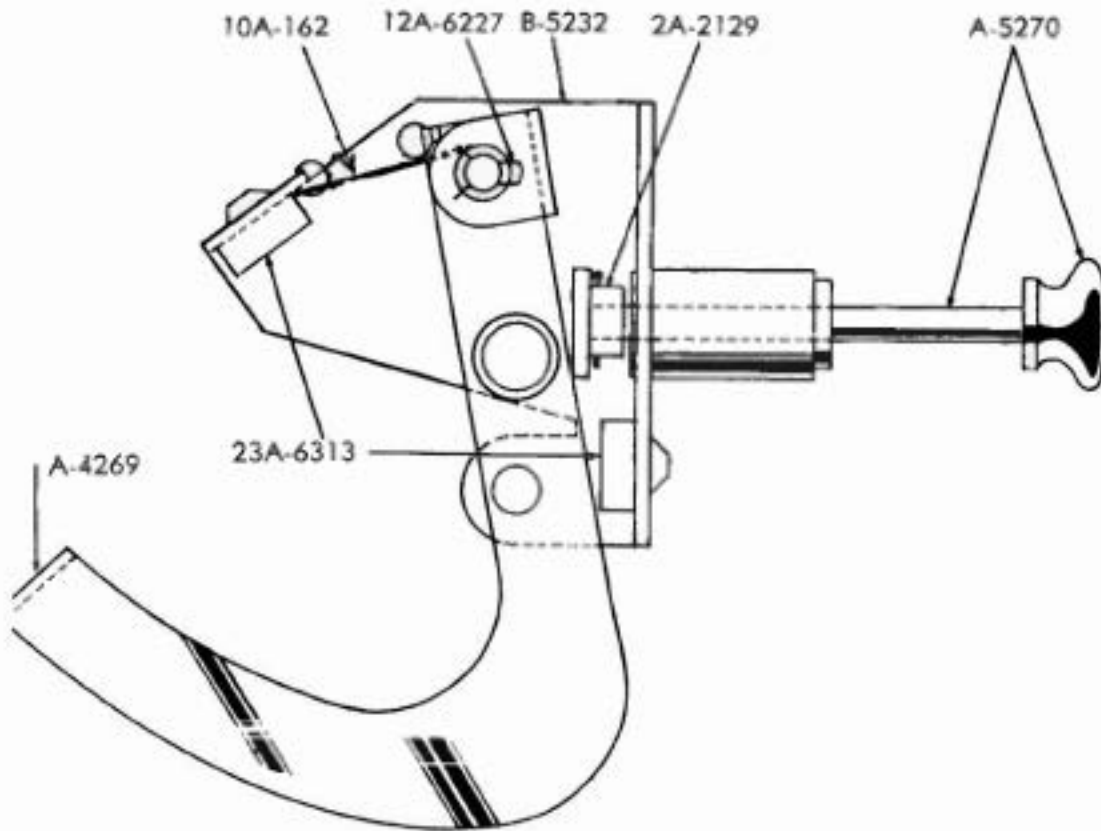
C-5676 BALL LIFT ASSEMBLY



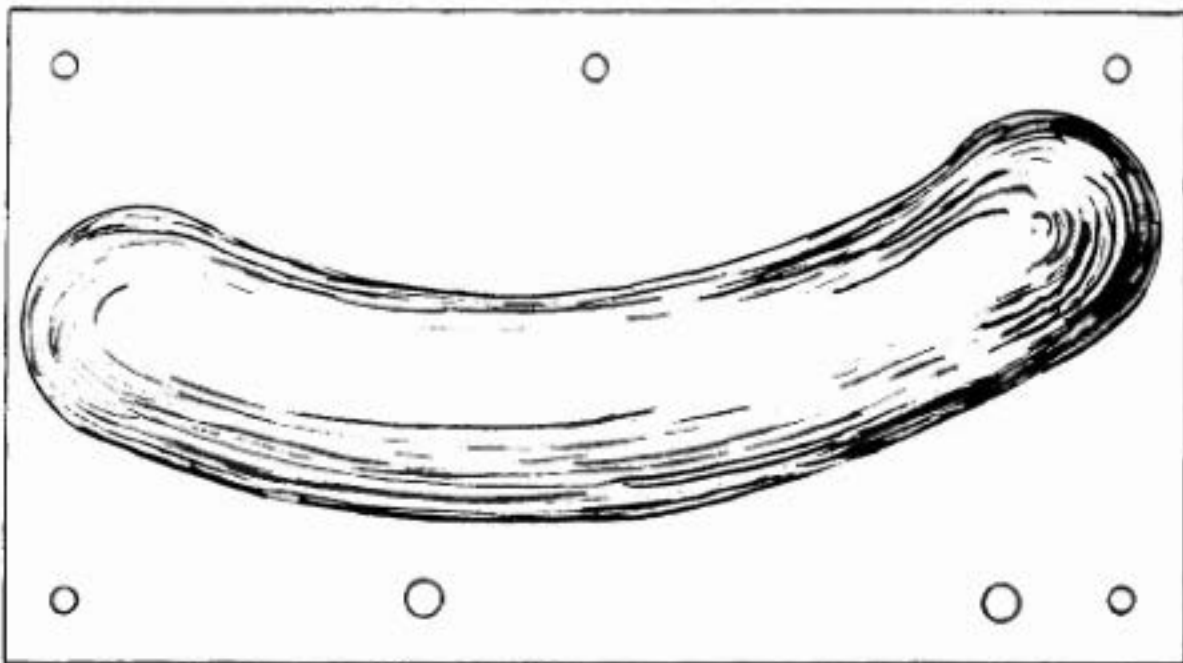
B-5663 BALL LIFT PUSHER ASSEMBLY



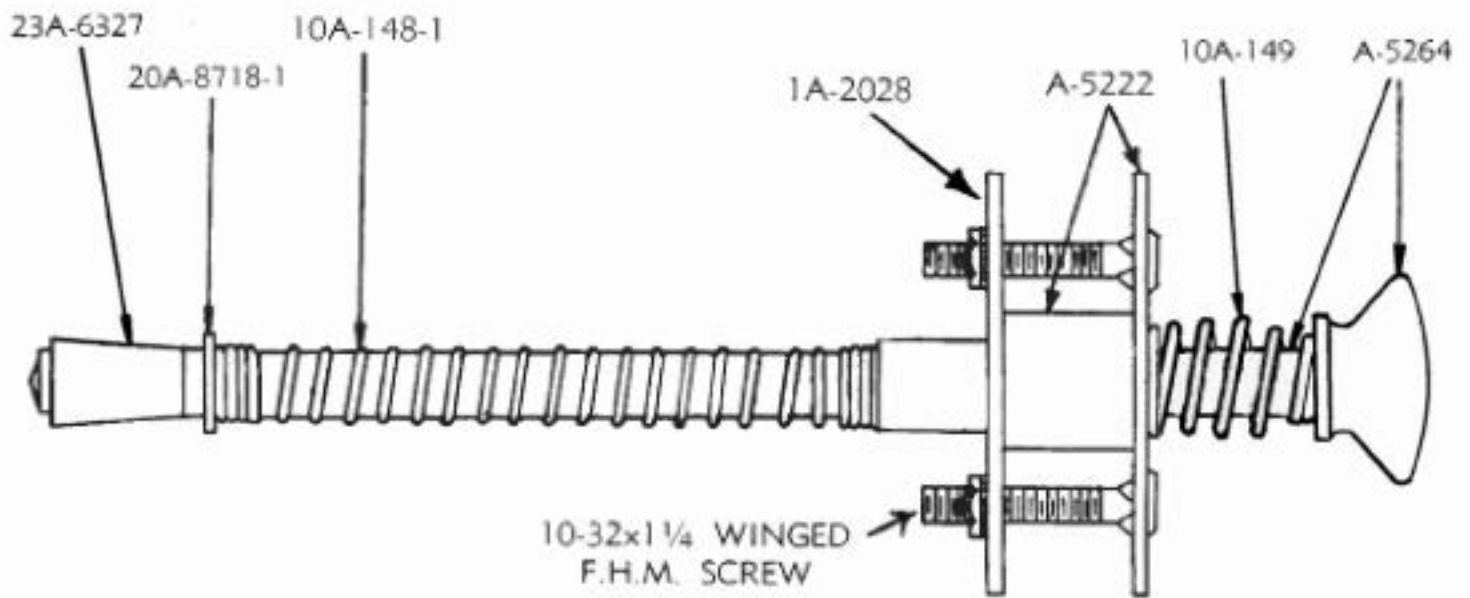
B-5257 BALL LIFT ASSEMBLY



1B-2573 BALL LIFT GUIDE

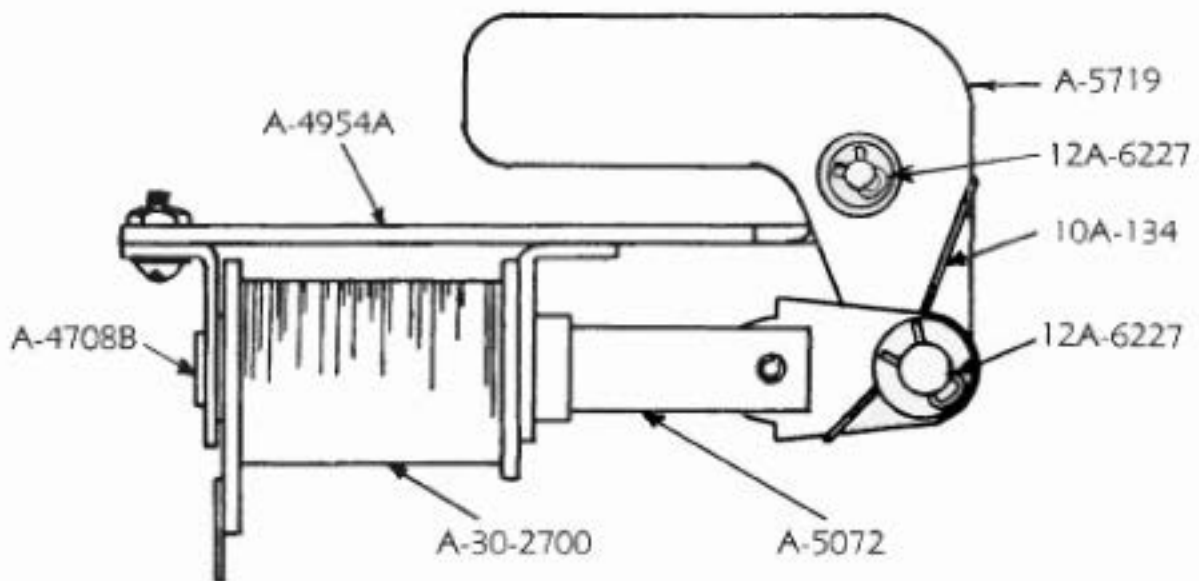


B-5247 NEW BALL SHOOTER ASSEMBLY

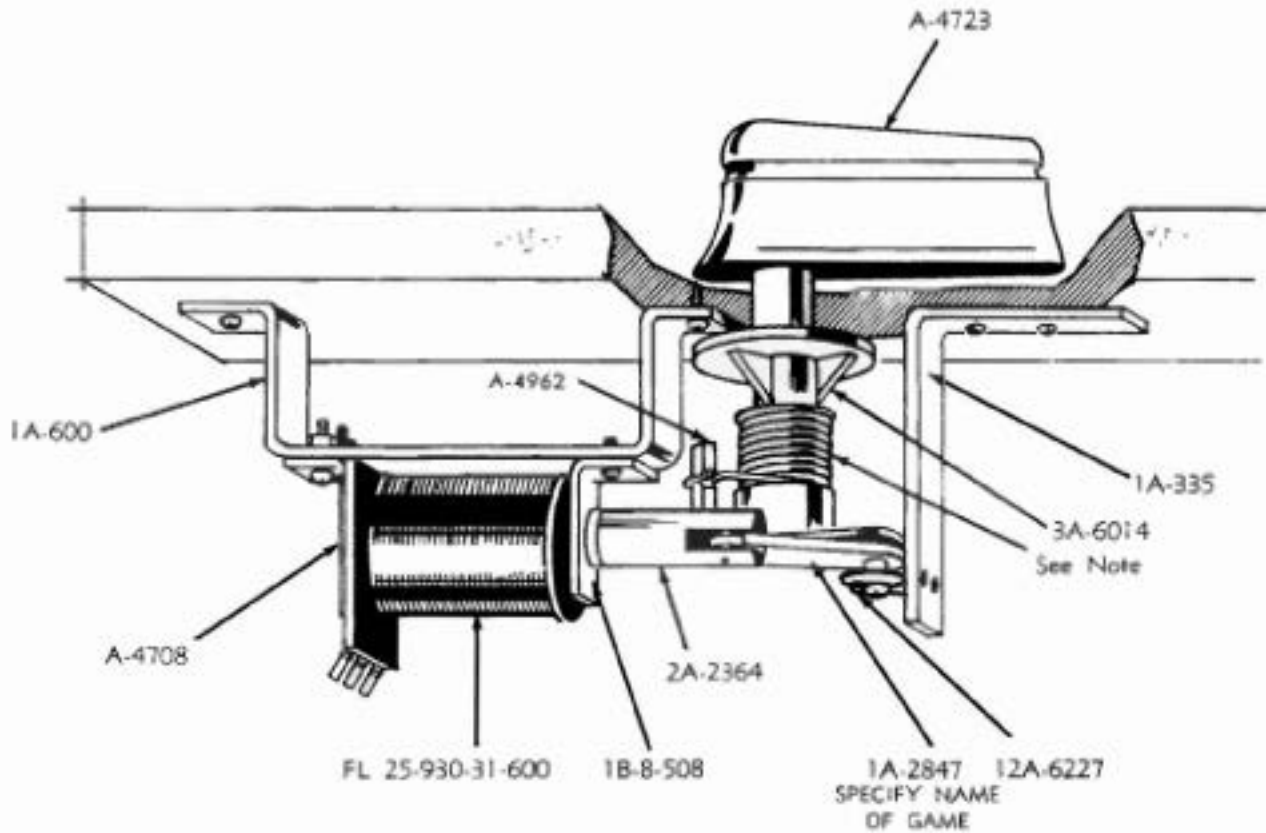


BALL RELEASE ASSEMBLY

B-5073

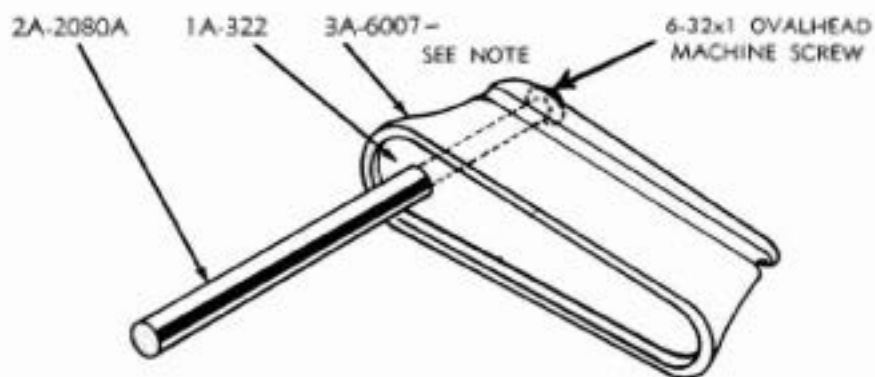


B-5163 FLIPPER & COIL ASSEMBLY



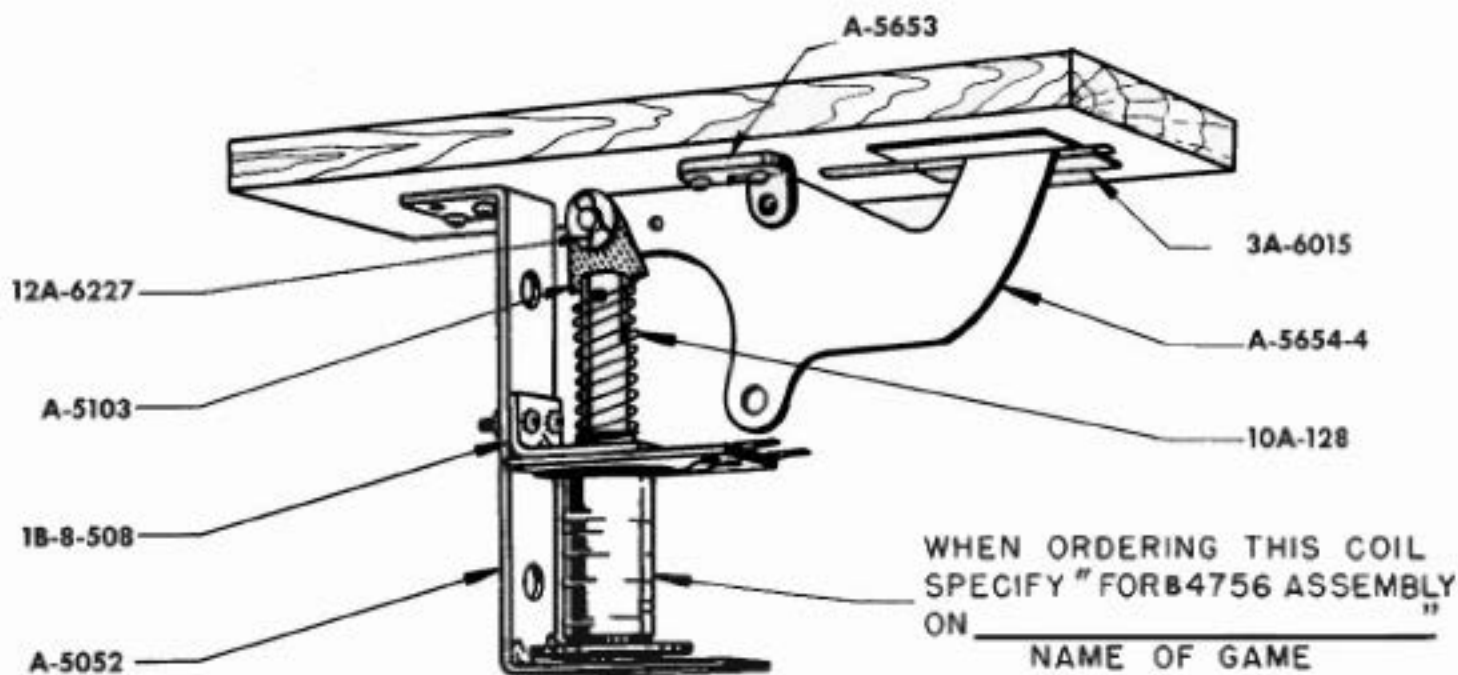
NOTE 10A-127 RIGHT FLIPPER ASSEMBLY — SPRING
10A-136 LEFT FLIPPER ASSEMBLY — SPRING

A-4723 FLIPPER ASSEMBLY

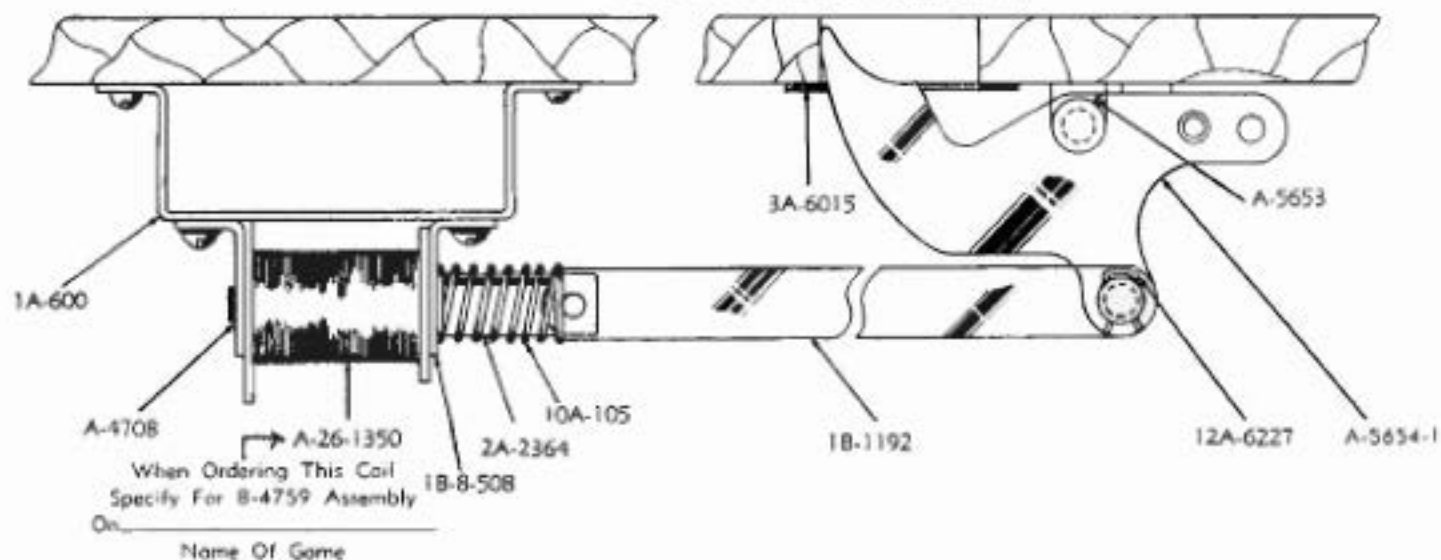


NOTE SPECIFY LARGE OR SMALL
"F" ON FLIPPER
3A-6007L - LARGE F
3A-6007R - SMALL F

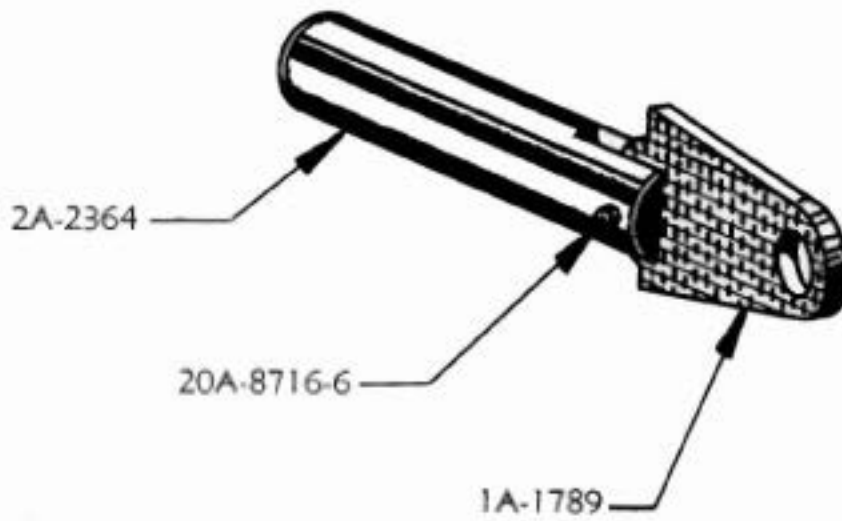
B-4756 BALL EJECT ASSEMBLY (VERTICAL)



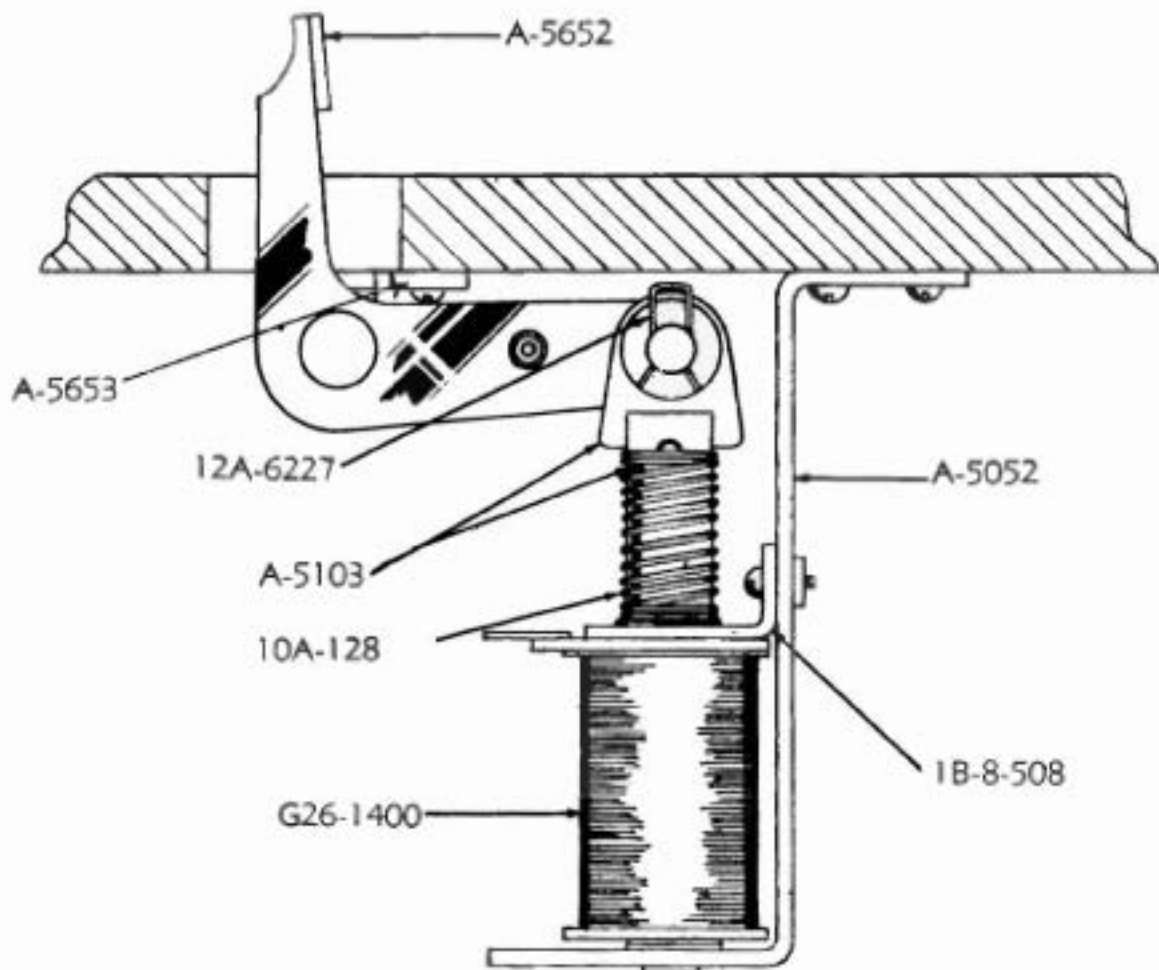
B-4759 BALL EJECT ASSEMBLY (with Link)



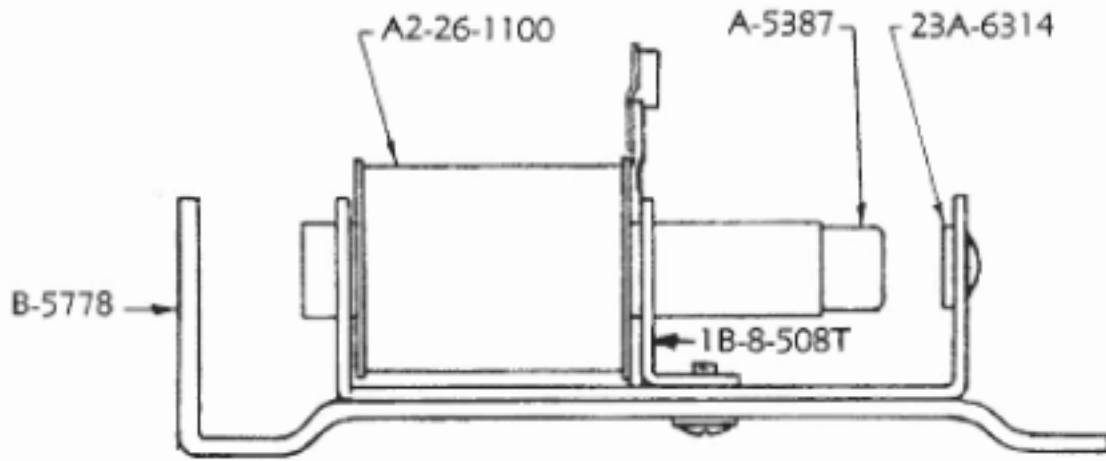
A-5103 PLUNGER ASSEMBLY



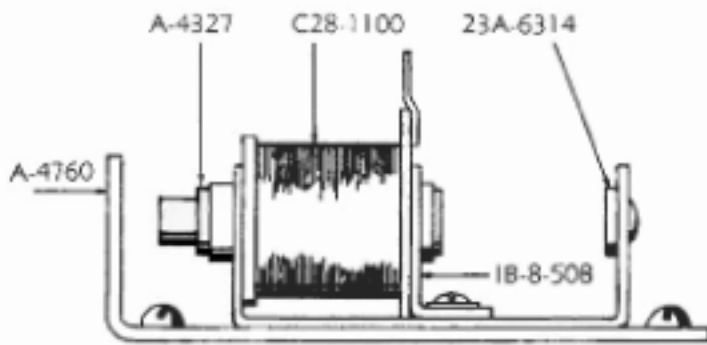
B-5104 KICKER ASSEMBLY



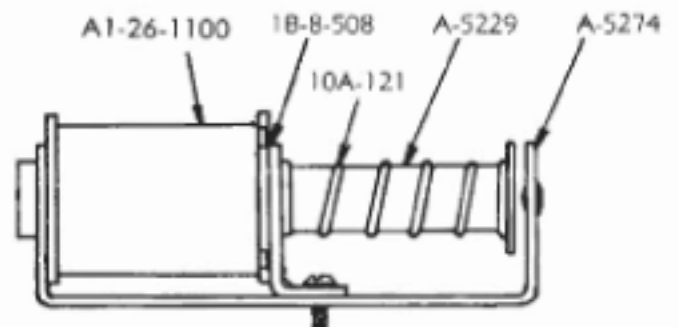
**NEW
B-5579 KNOCKER ASS'Y**



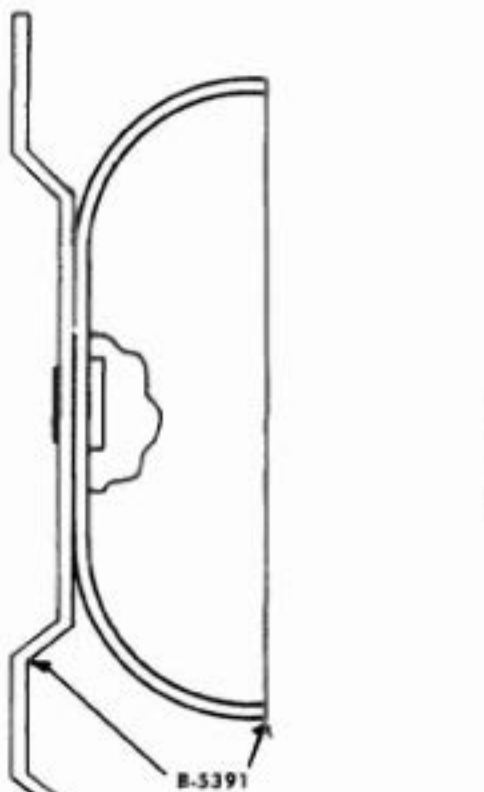
**OLD TYPE
A-4761 KNOCKER ASSEMBLY**



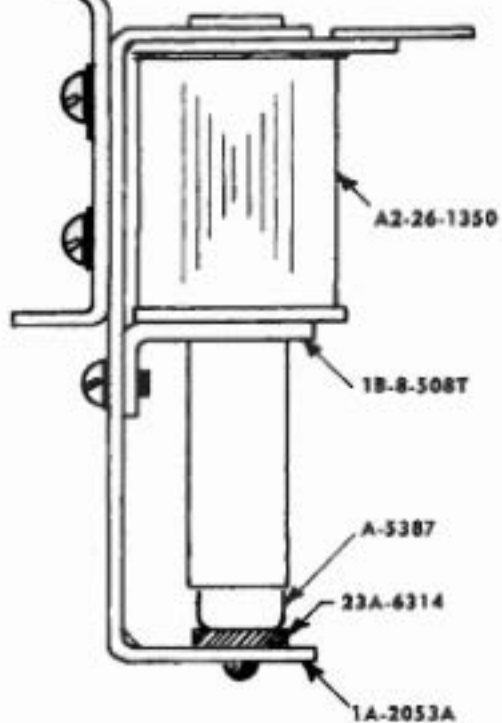
A-5230 SHOOTER COIL ASSEMBLY



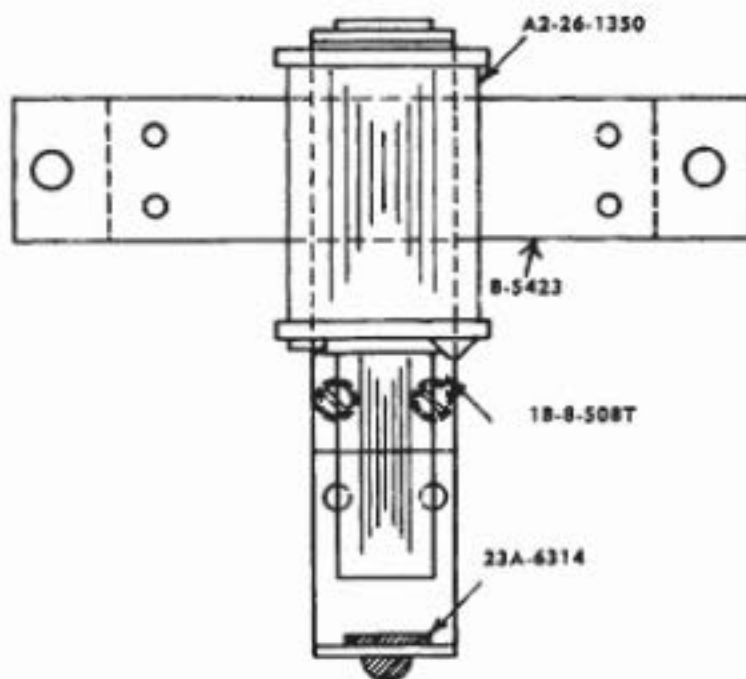
**SMALL BELL ASSEMBLY
B-5392**



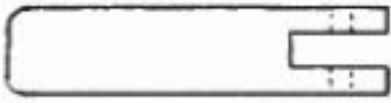
**LARGE BELL
1B-1178**



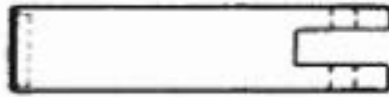
**COIL & BRACKET ASSEMBLY
B-5393**



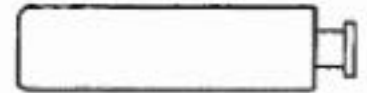
SOLENOID PLUNGERS



2A-2364



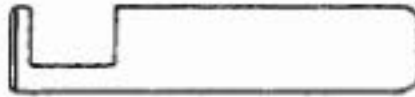
A-4959



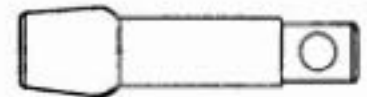
2A-2527



2A-2770



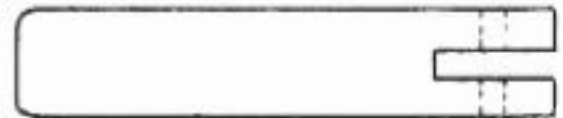
2A-2767



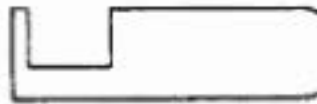
2A-2676-1



A-5387

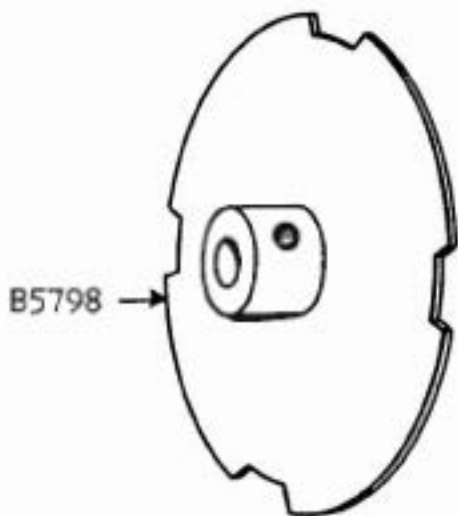


2A-2670

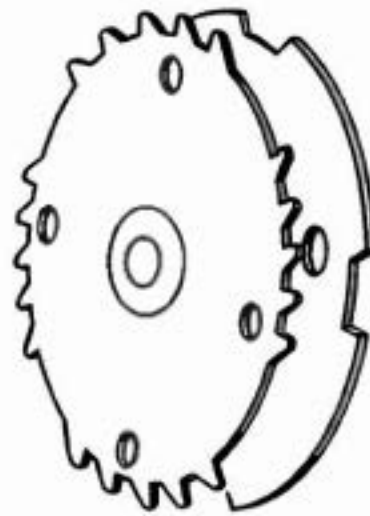


2A-2051

MOTOR CAM ASSEMBLIES

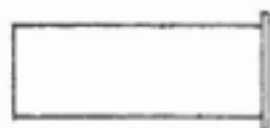


B5798

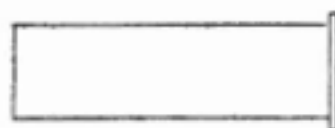


A5610

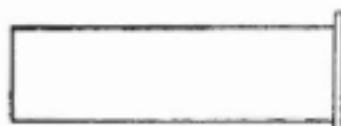
COIL REPLACEMENT SLEEVES



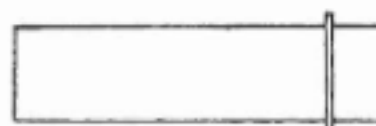
3A-7066-1



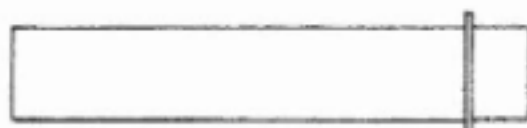
3A-7066-2



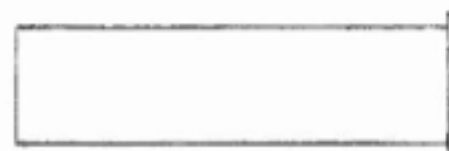
3A-7066



3A-7067



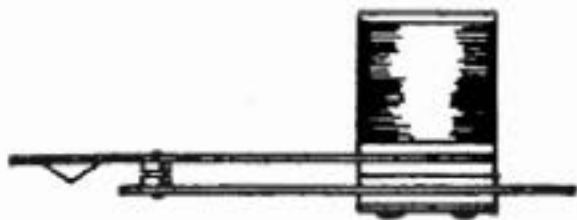
3A-7067-1



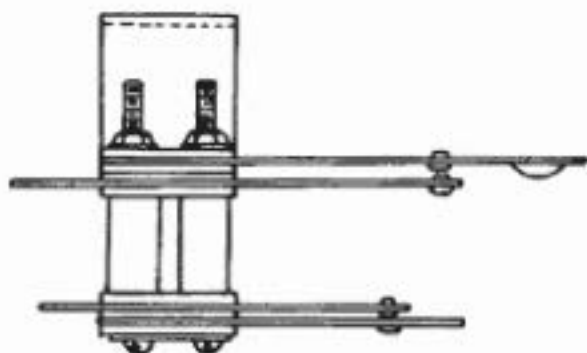
3A-7068

Coil Sleeve Replacement Chart

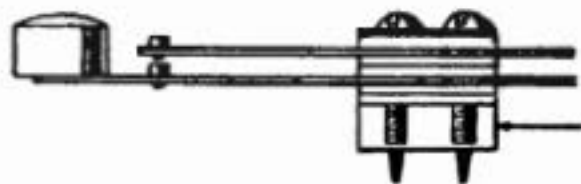
Coil No.	Sleeve
A-25-950	3A-7066
A-26-1100	3A-7066
A1-26-1100	3A-7067
A-2-26-1100	3A-7067-1
A-2-26-1350	3A-7067-1
A3-25-950	3A-7067-1
A-30-2700	3A-7066
B-29-1600	3A-7066-1
D-22-1150	3A-7068
D-22-1400	3A-7068
DU-26-1350	3A-7066-2
FL-25/31	3A-7066
G-25-1100	3A-7066
GI-25-1100	3A-7066
G-26-1400	3A-7066



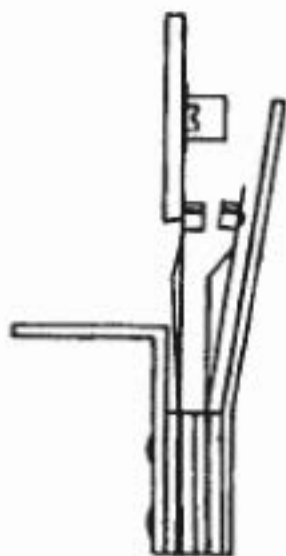
A-5324 BUMPER SWITCH ASSEMBLY



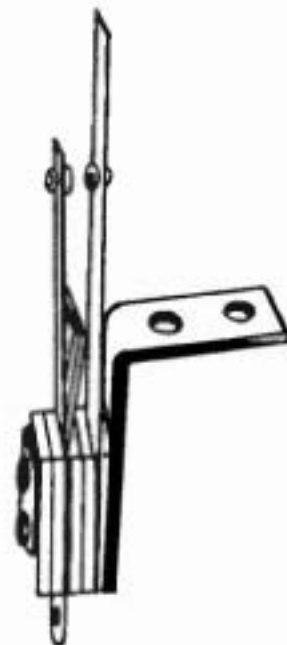
A-4783 JET BUMPER SWITCH ASSEMBLY



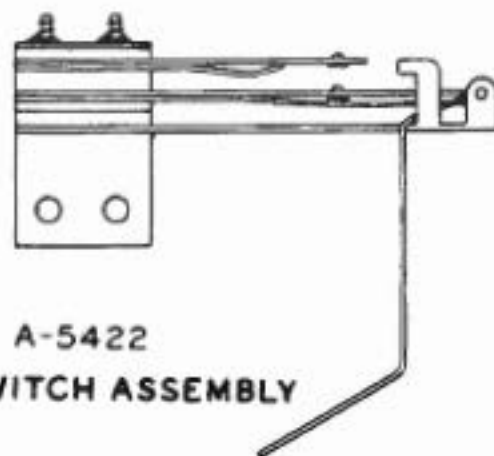
A-5325 TILT SWITCH ASSEMBLY



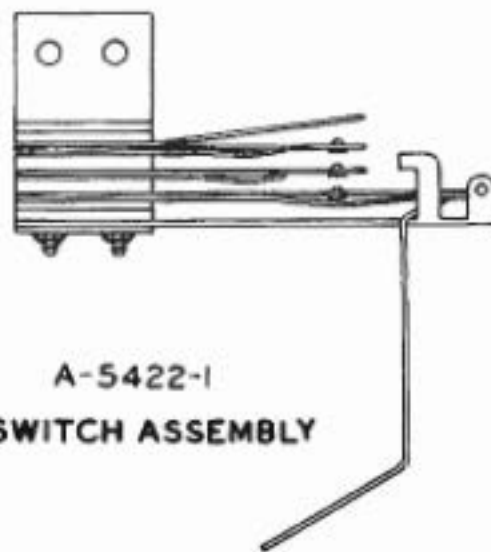
4735 TARGET SWITCH ASSEMBLY



A-4834 STAND UP SWITCH ASSEMBLY



A-5422
BASE SWITCH ASSEMBLY



A-5422-1
RUN SWITCH ASSEMBLY

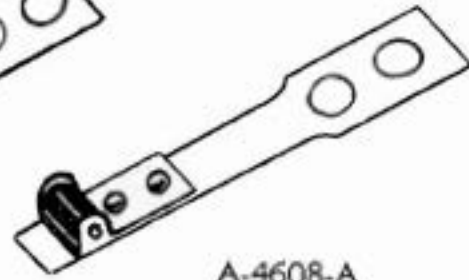
CAM FOLLOWERS



A-4705



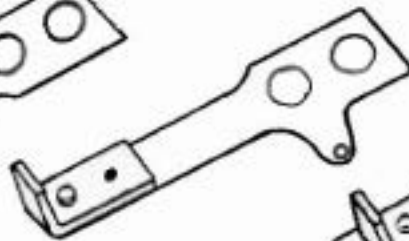
A-4608



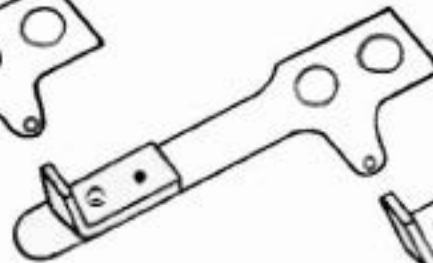
A-4608-A



A-4608-B



A-5041

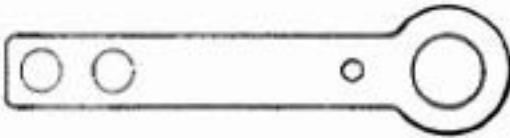


A-5041-A



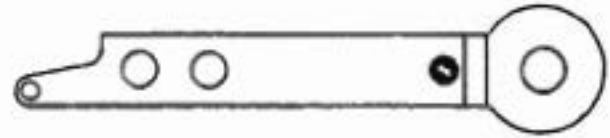
A-5041-B

SWITCH BLADES



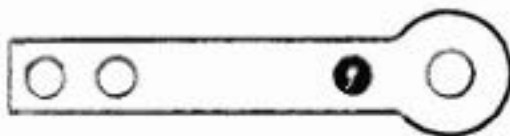
A-4744

BUMPER SWITCH BLADE



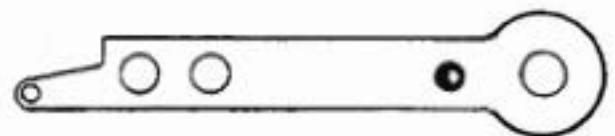
A-4744-2

R.O. BUTTON SWITCH BLADE



A-4744-1

TARGET SWITCH BLADE



A-4744-3

R.O. BUTTON SWITCH BLADE

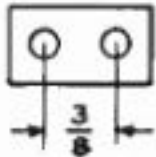
SWITCH COVER PLATE



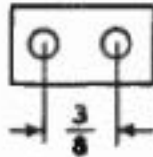
IA-2048



IA-1248

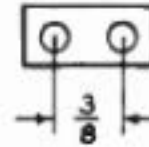


STEEL
IA-15



ALUMINUM
IA-916 RA

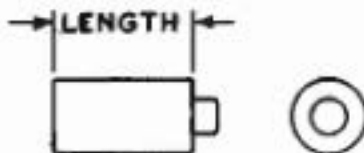
SWITCH SPACERS BAKELITE



THICKNESS	NO.
1/64	IA-2005-4
1/32	IA-2005-2
1/16	IA-2005-1
3/32	IA-2005-3

THICKNESS	NO.
3/32	IA-916-B
1/16	IA-916-L
1/32	IA-916-T

SWITCH BLADE LIFTER

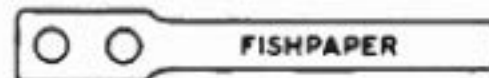


SWITCH TUBING
3A-7006
FOR "M" RELAY SWITCHES
SPECIFY LENGTH



SWITCH TUBING
3A-7007
SPECIFY LENGTH

LENGTH	NO.
1/16	3A-6022-2
3/32	3A-6022-3
1/8	3A-6022-4
5/32	3A-6022-5
3/16	3A-6022-6
7/32	3A-6022-7
1/4	3A-6022-8
9/32	3A-6022-9
5/16	3A-6022-10
11/32	3A-6022-11
3/8	3A-6022-12



GA-14



GA-14 B

WIRE FORMS



A-5844



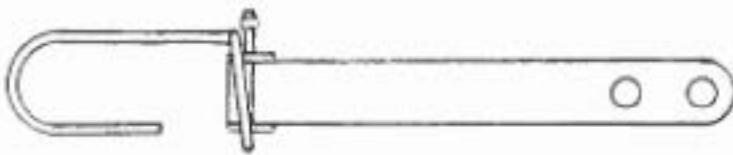
A-5844-1



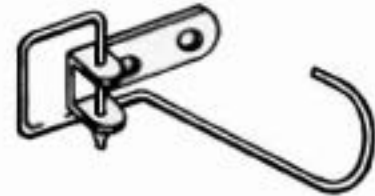
A-5844-2



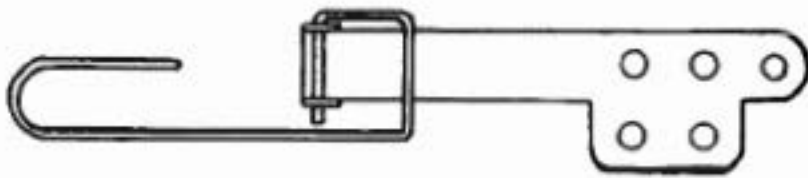
A-5844-3



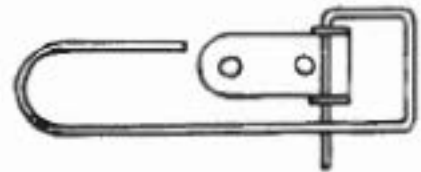
A-5844-4



A-5844-5



A-5844-6



A-5844-7



12A-6285
(LONG)



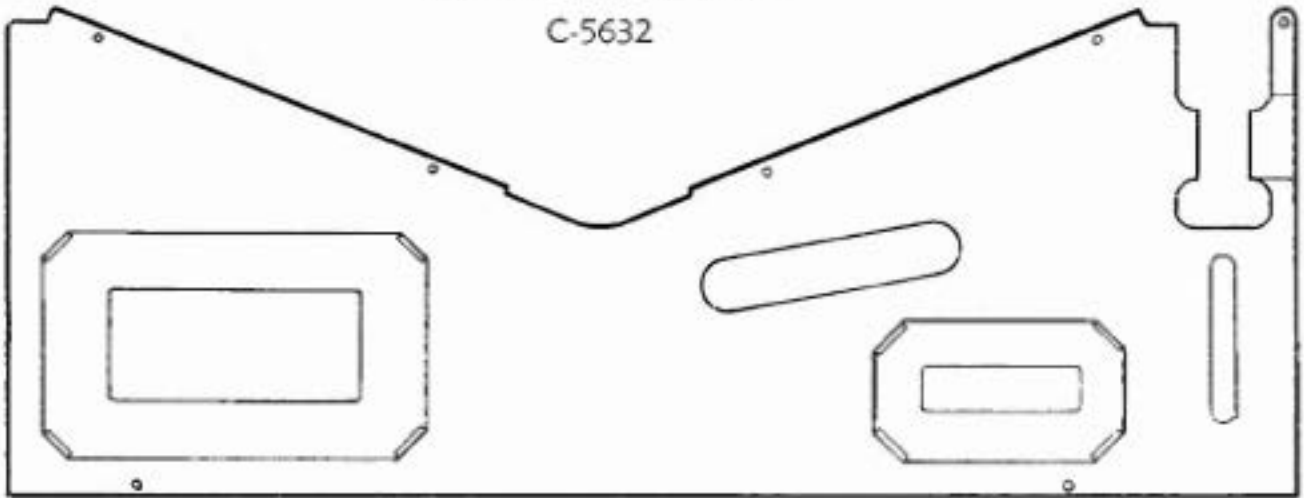
12A-6285-A



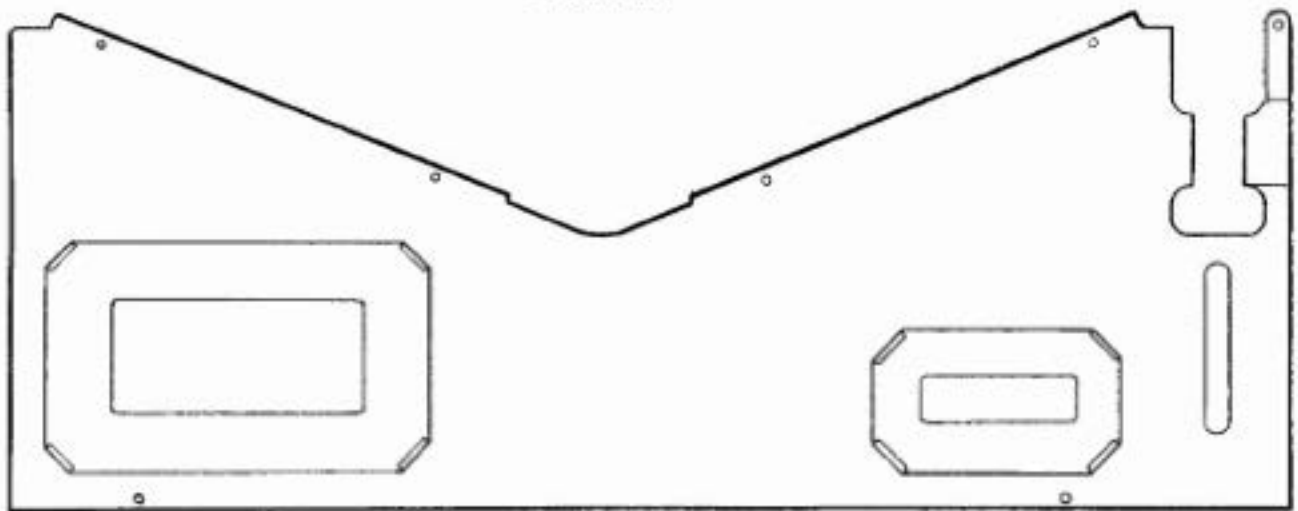
12A-6285-B
(SHORT)

BOTTOM ARCH

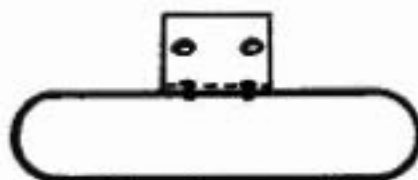
C-5632



C-5632A

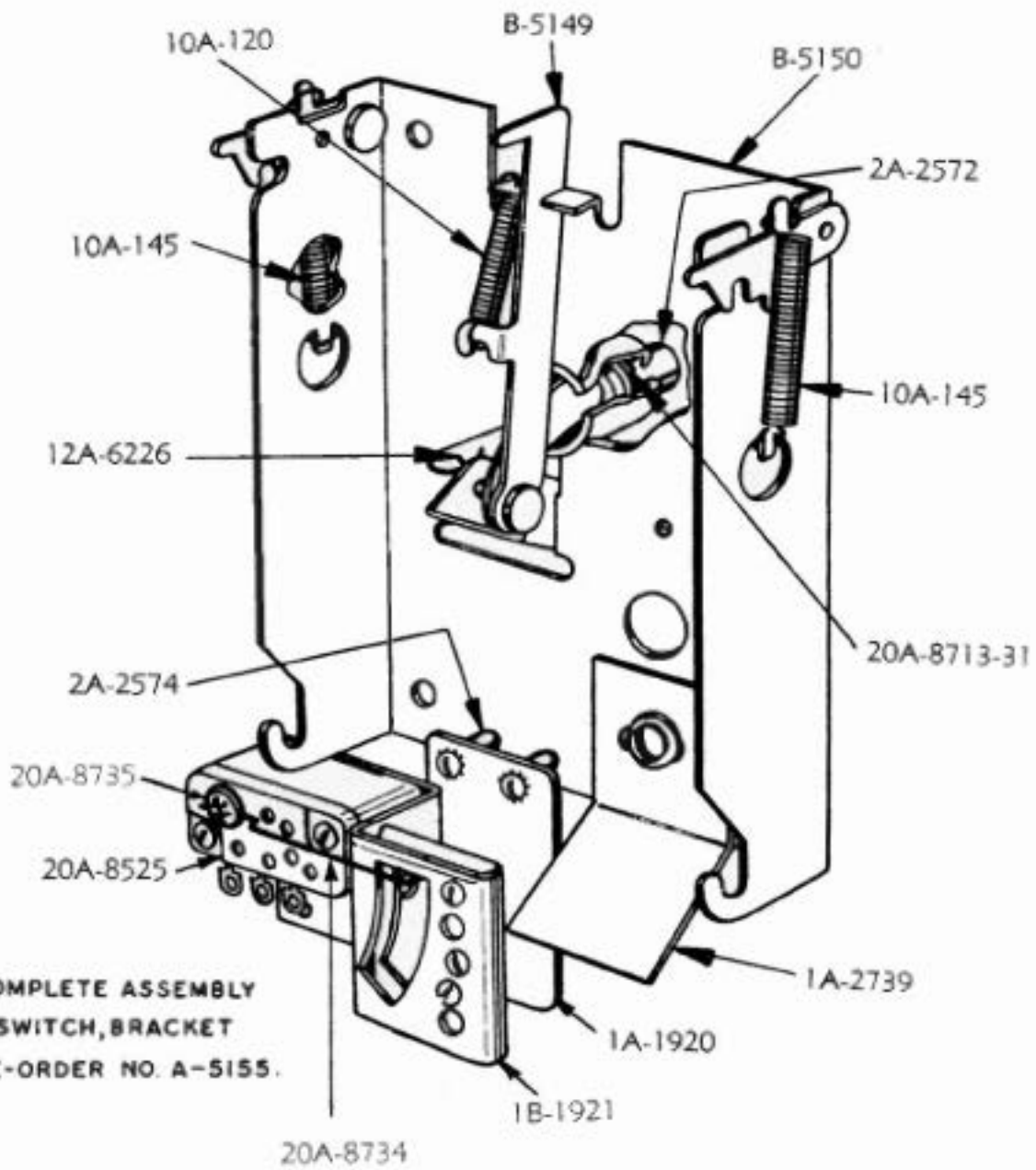


ARCH HOLE LINER ASSEMBLY



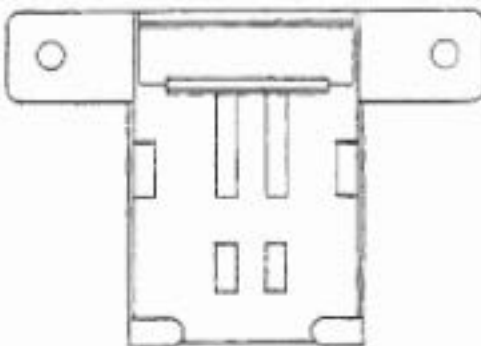
A-5233A

B-5151 SLUG REJECTOR MOUNTING ASSEMBLY



NOTE:
FOR COMPLETE ASSEMBLY
OF COIN SWITCH, BRACKET
AND WIRE-ORDER NO. A-5155.

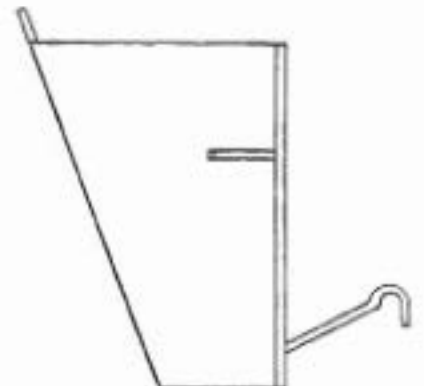
**A-5775
COIN GUIDE**



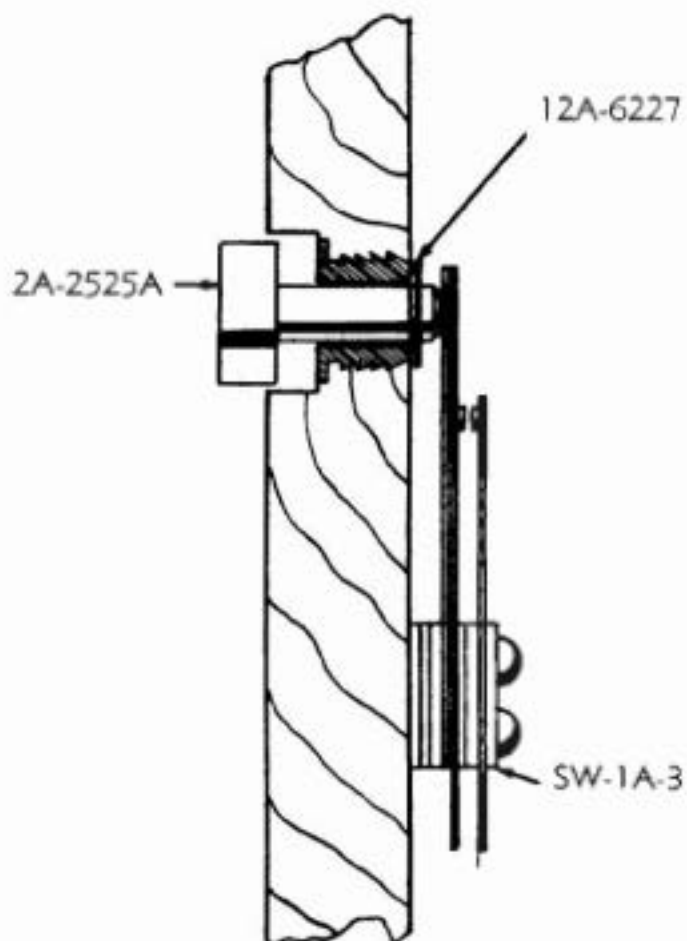
**20A-8734
COIN SWITCH
WIRE**



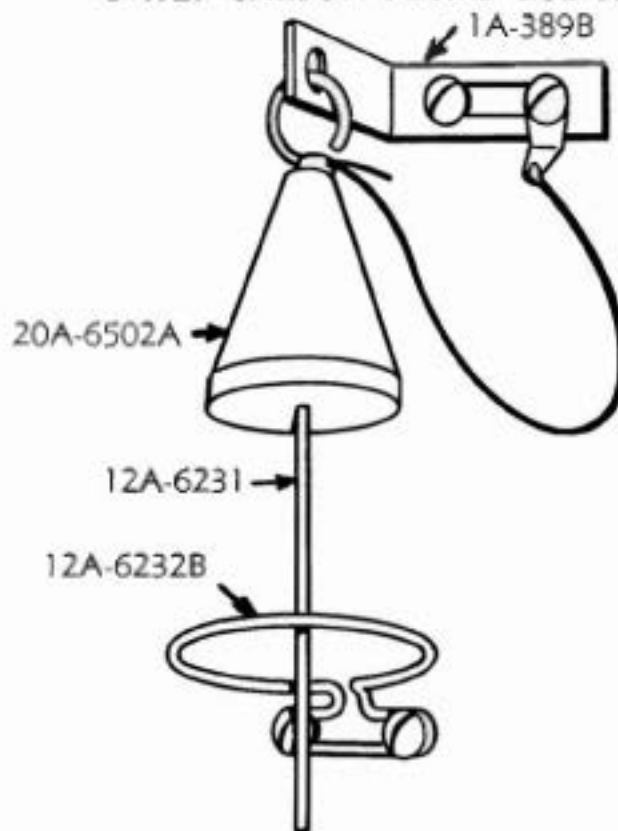
**A-5489
COIN RETURN CUP**



**A-5069 FLIPPER BUTTON
ASSEMBLY (New Style)**



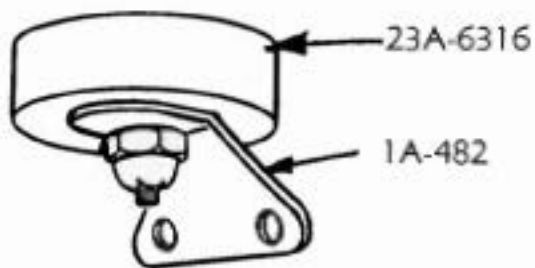
B-4729 CARBON PLUMB BOB ASSEMBLY



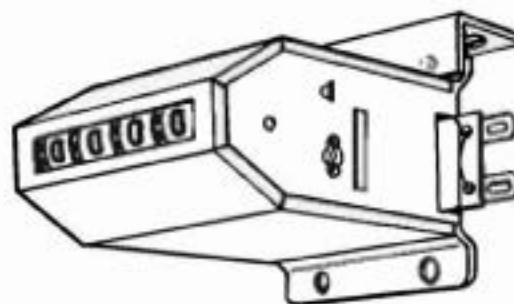
A-4817 BALL GATE ASSEMBLY



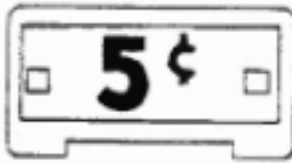
**A-4741 REBOUND
ASSEMBLY**



20A-6512 ELECTRIC COUNTER



**NEW STYLE
COIN ENTRY PLATE**



1B-2760-2 10 CENT
 1B-2760-3 5 CENT
 1B-2760-4 25 CENT

**OLD STYLE
COIN ENTRY PLATE**

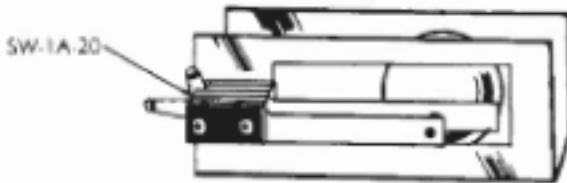


9B-8561-2 10 CENT
 9B-8561-3 5 CENT
 9B-8561-4 25 CENT

IMPORTANT:

When ordering foreign entry plates & slug rejector parts,
 always specify country name, name and denomination of coin.

8-4724 ROLL TILT ASSEMBLY



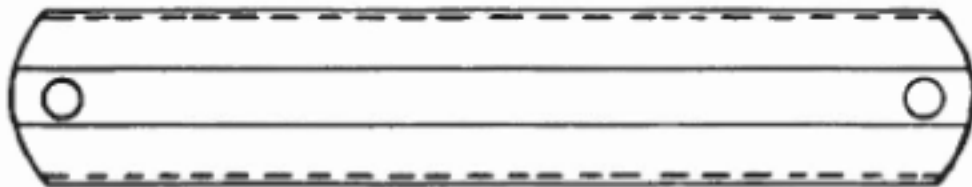
12A-6230 KEY HOOK



1A-1860 CIGARETTE HOLDER

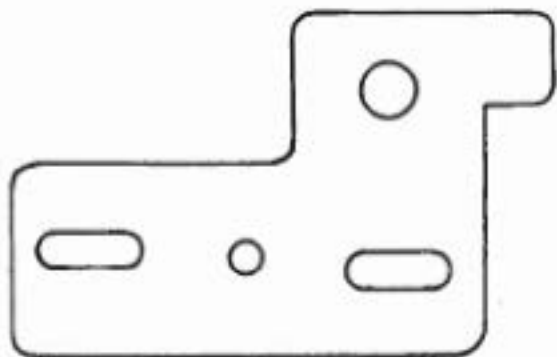


1A-1900 CIGARETTE HOLDER

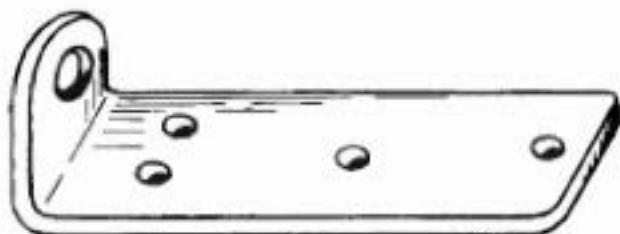


END VIEW

1A-2961
INSERT HINGE



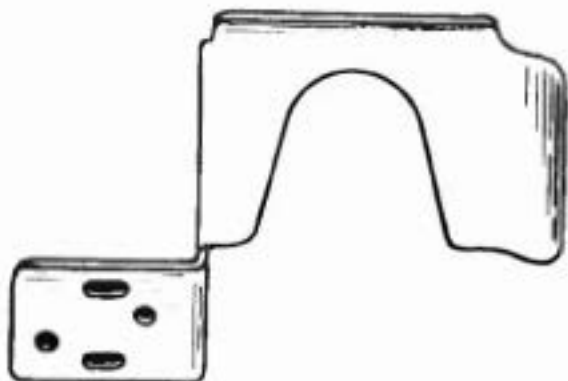
1A-2962
INSERT HINGE



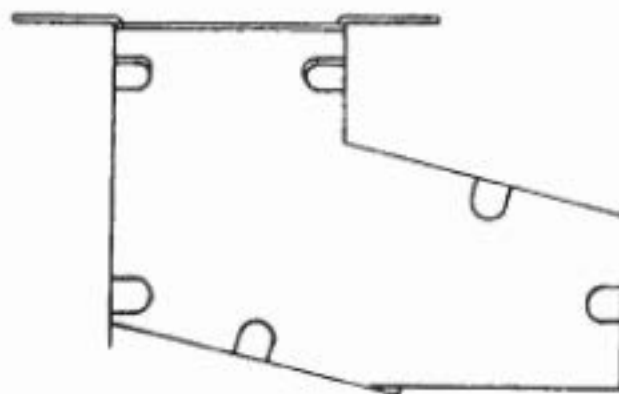
1A-3015
BALL LIFT DEFLECTOR



1B-2572
BALL STOP



B-5496
COIN SLIDE ASSEMBLY
(OLD TYPE)



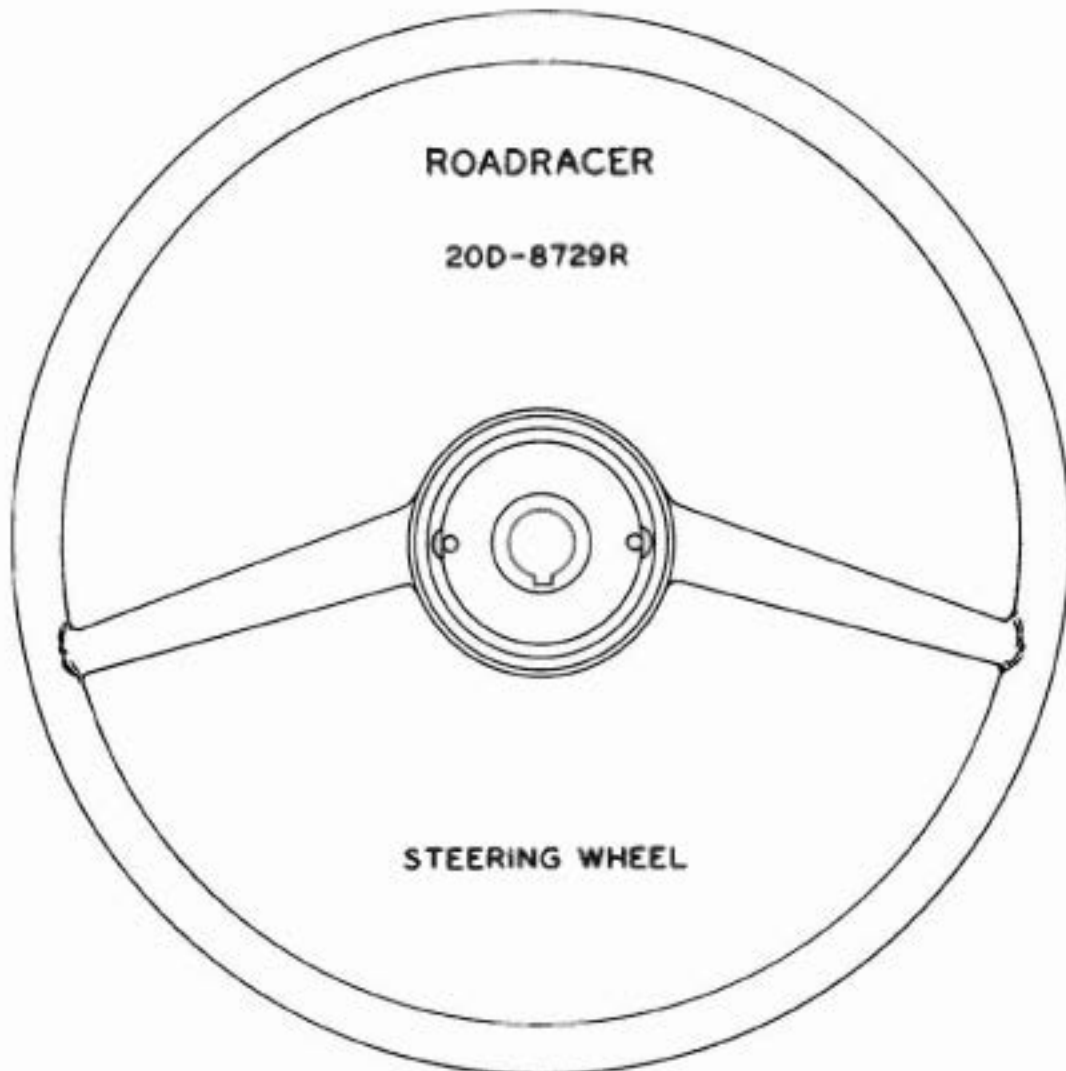
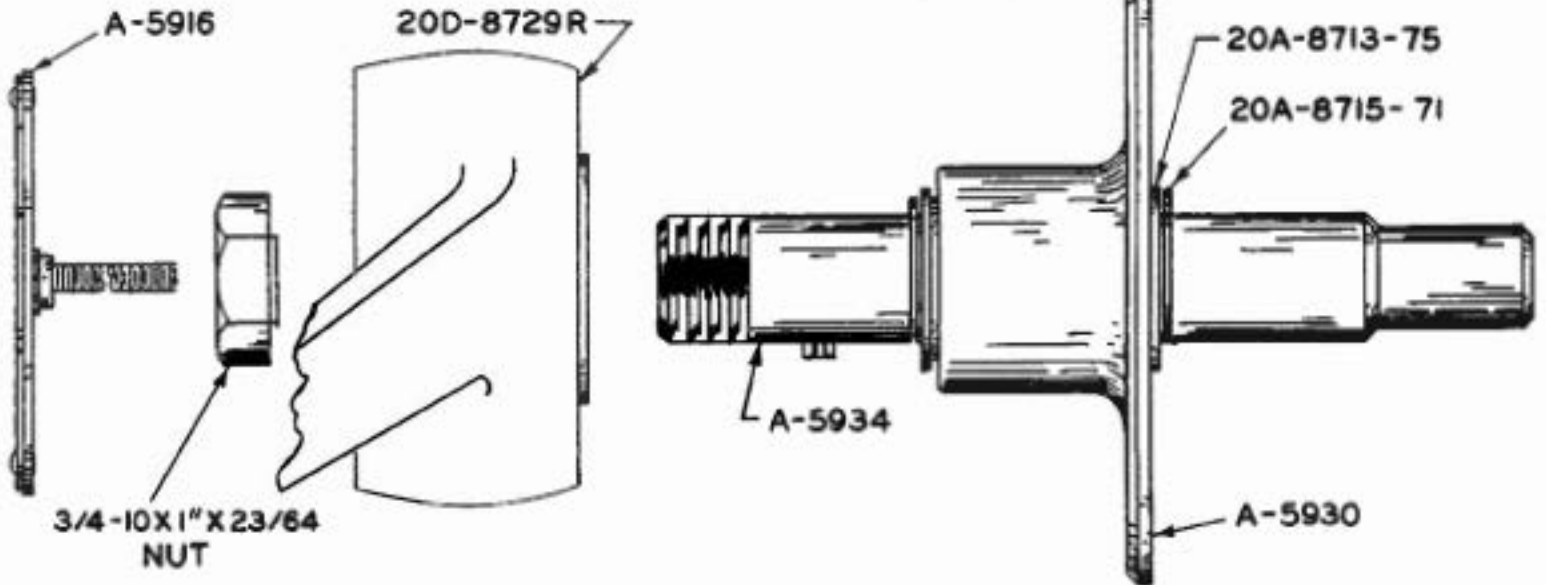
1A-3022
COIN DEFLECTOR



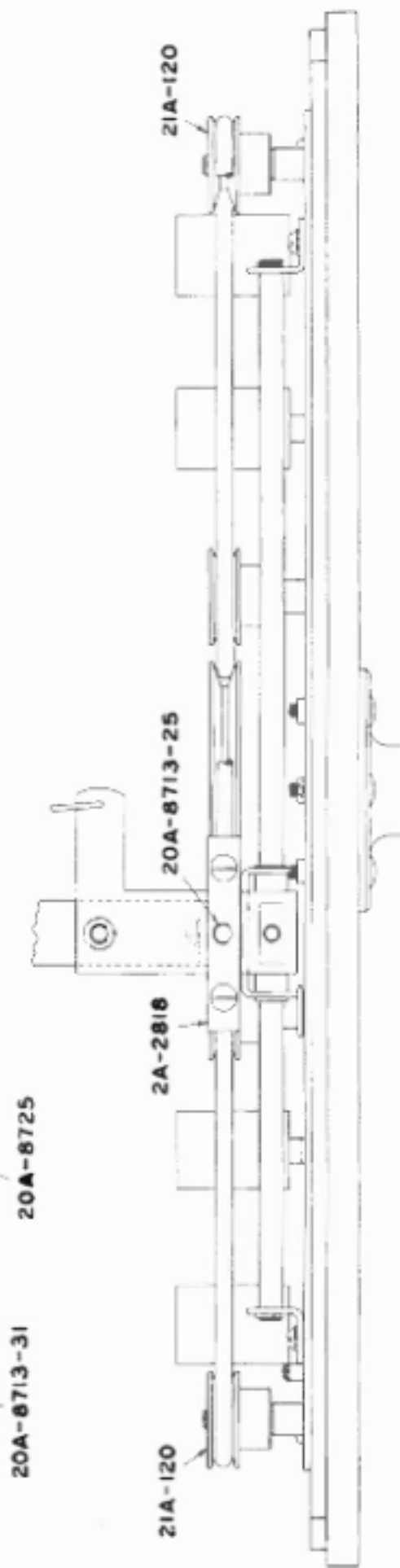
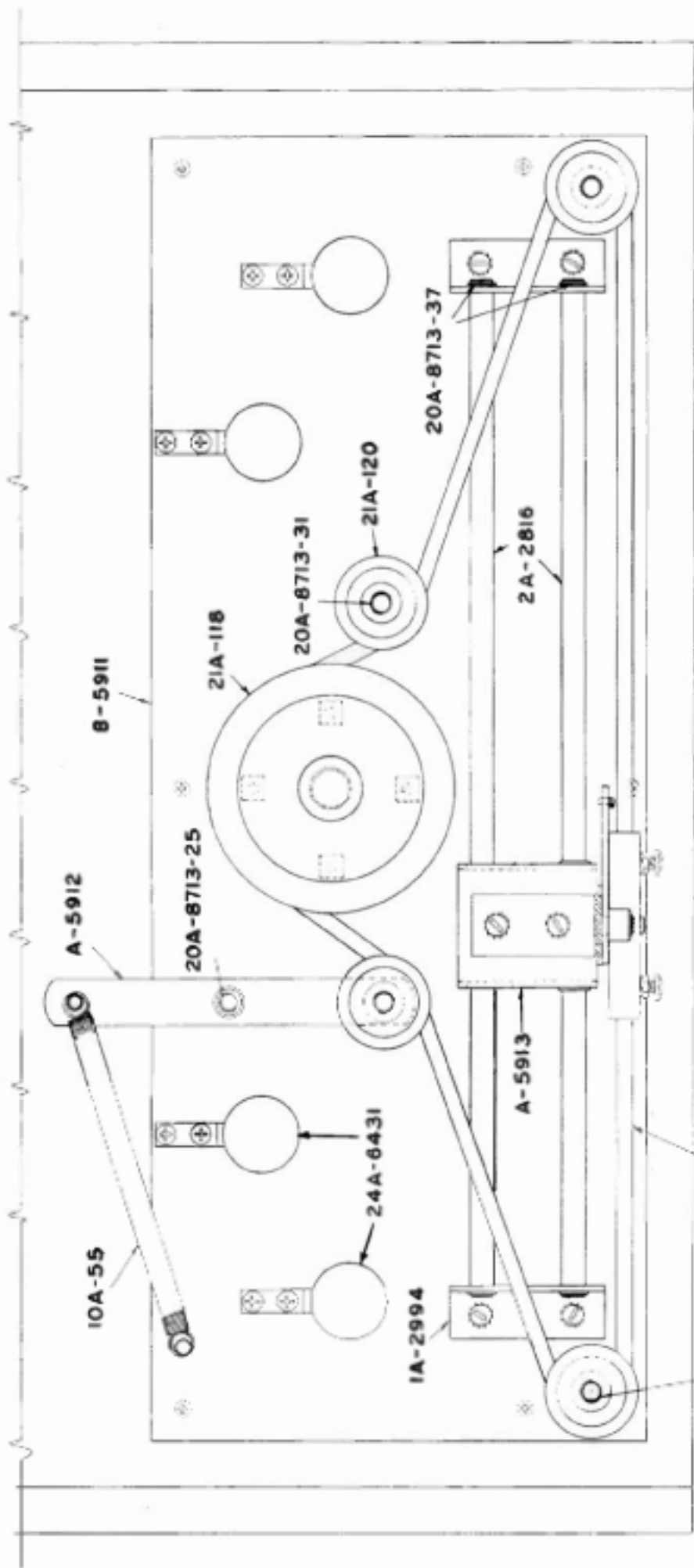
ROADRACER PARTS

B-5917

STEERING WHEEL ASSEMBLY

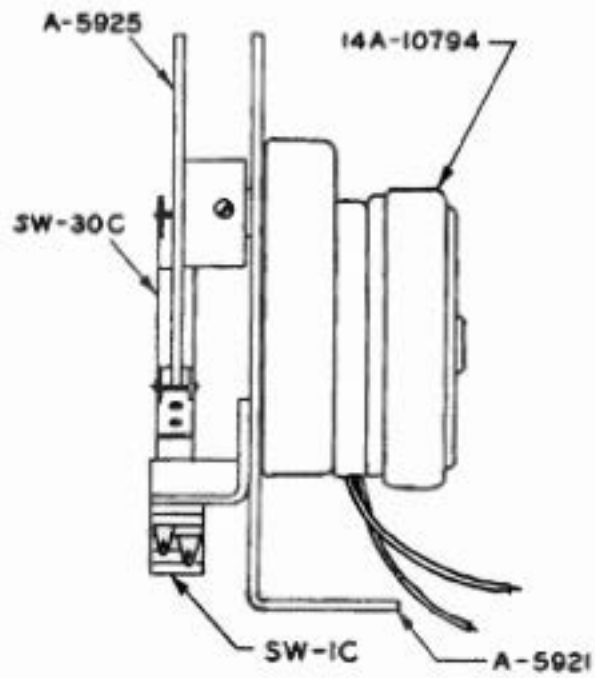


D-5935 STEERING MECHANISM (ROADRACER)

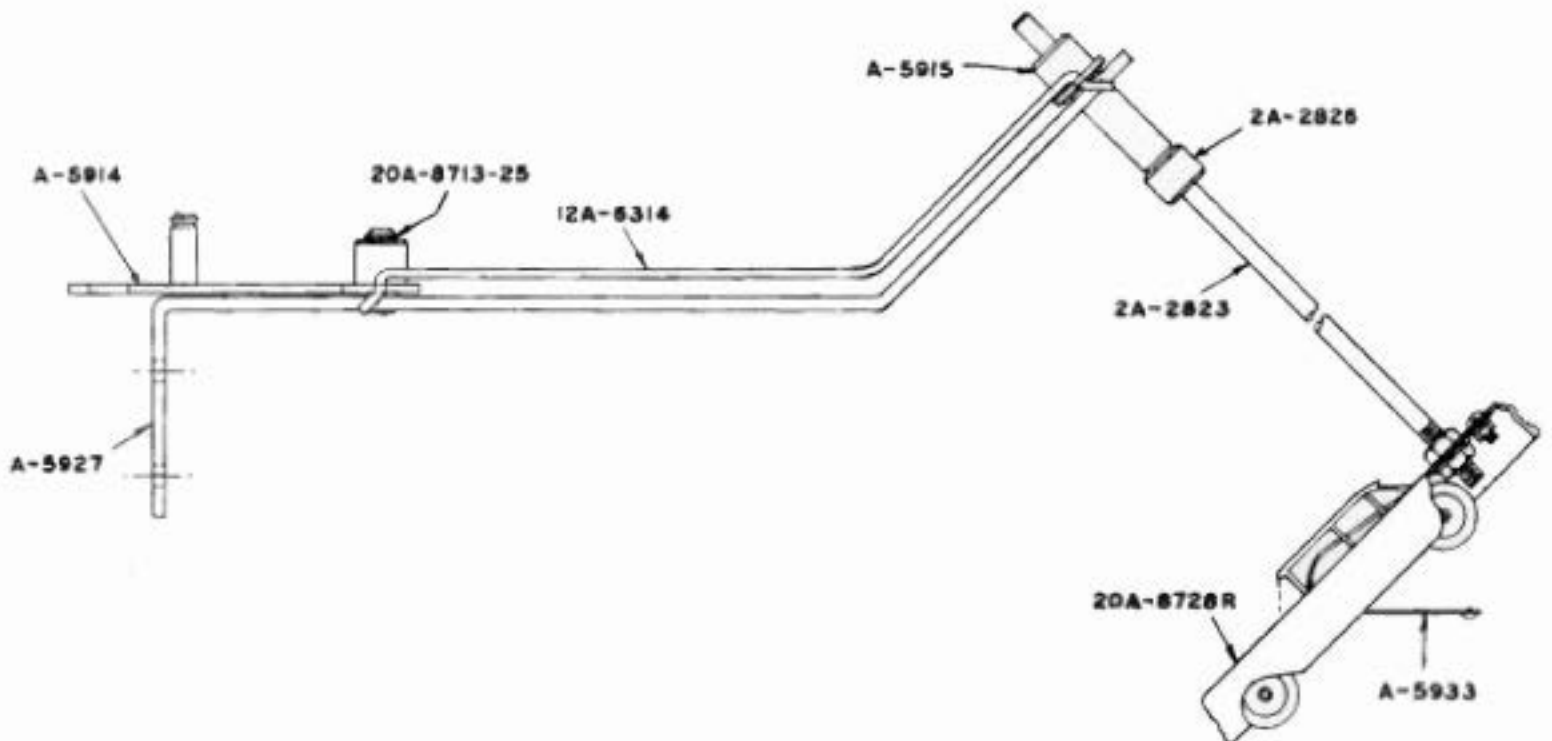


ROADRACER

TIMER MOTOR UNIT ASSEMBLY B-5943

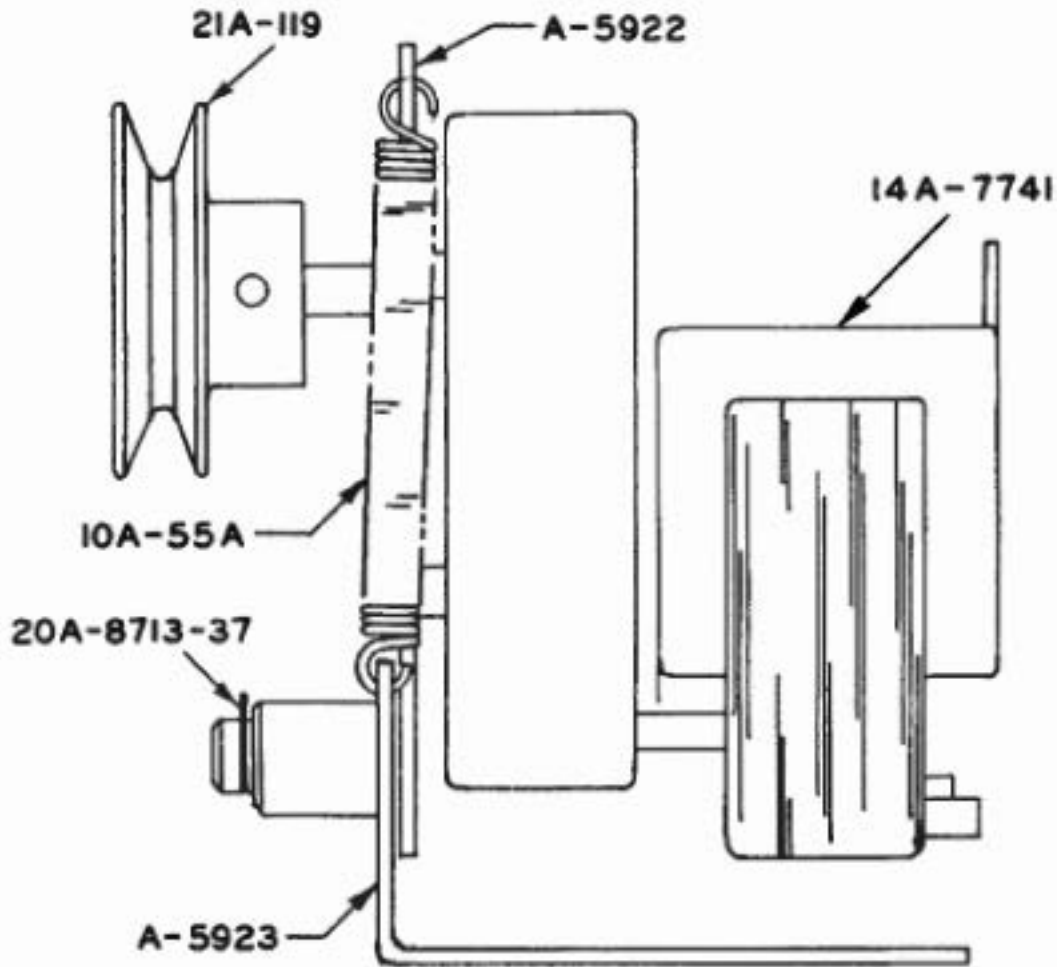


C-5936 CARRIAGE BRACKET ASSEMBLY

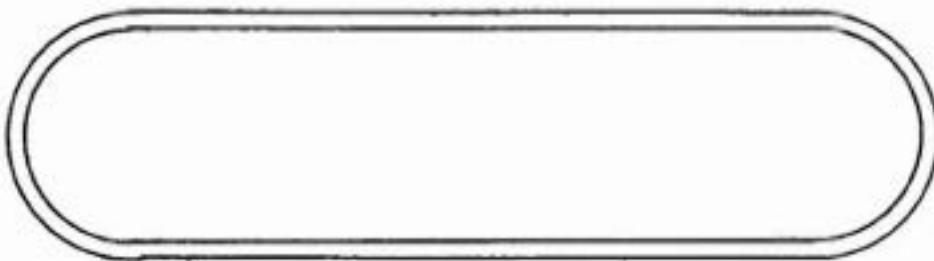


ROADRACER

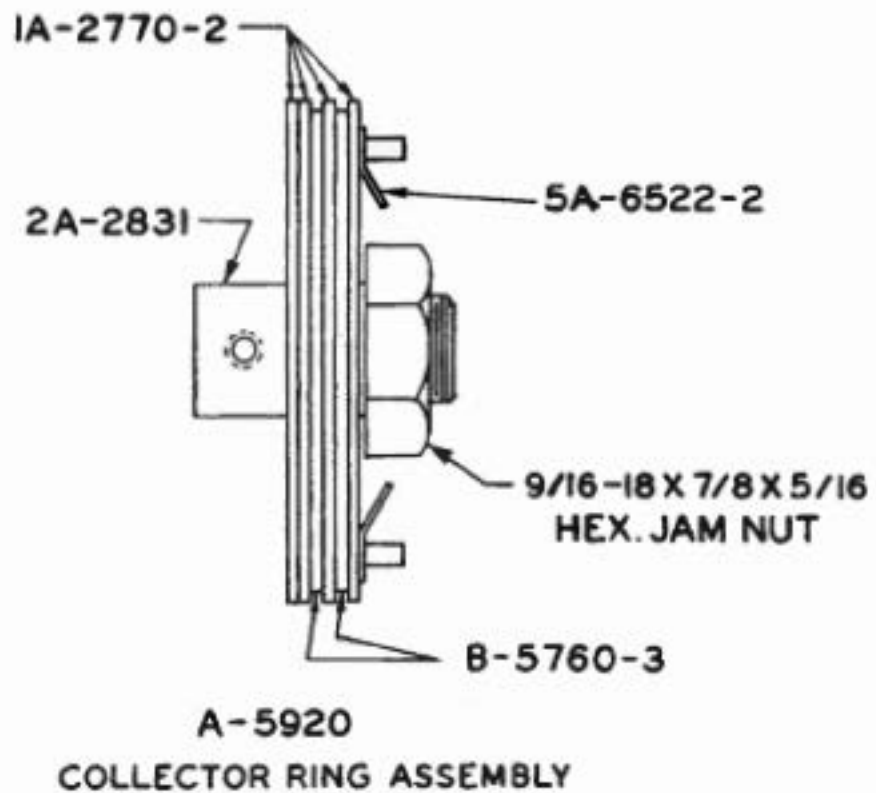
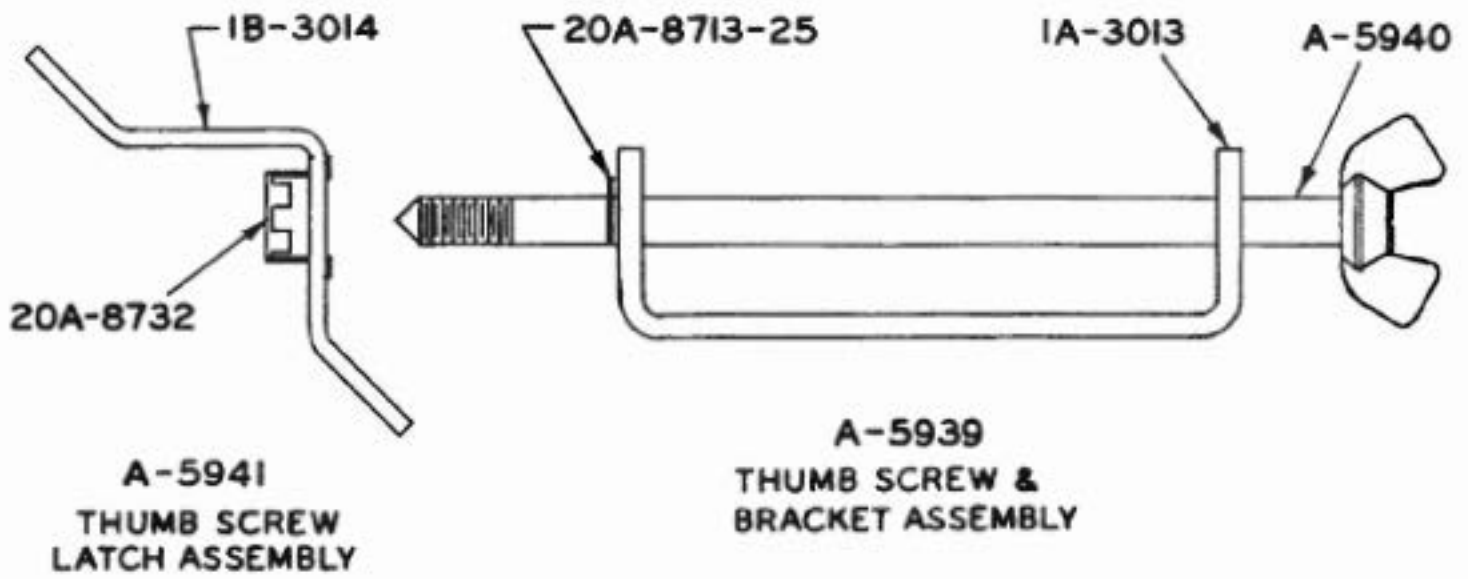
DRUM MOTOR UNIT ASSEMBLY B-5942



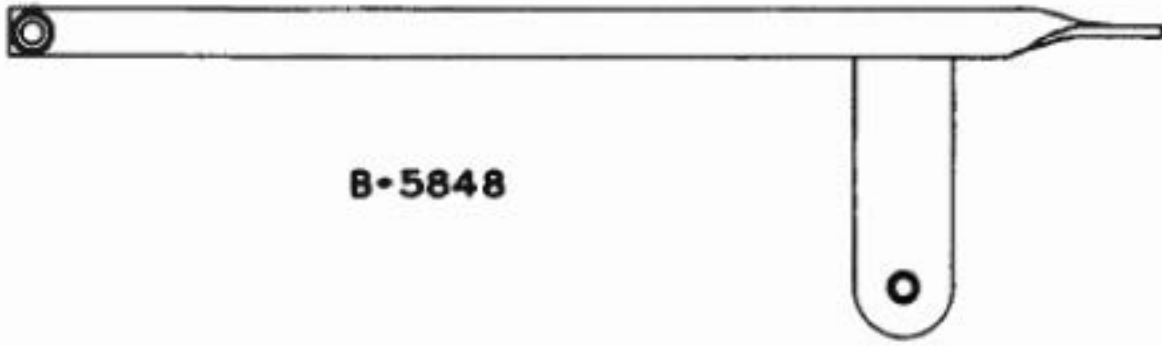
20A-8726 1/4 DIAMETER LEATHER BELT



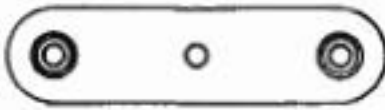
ROADRACER



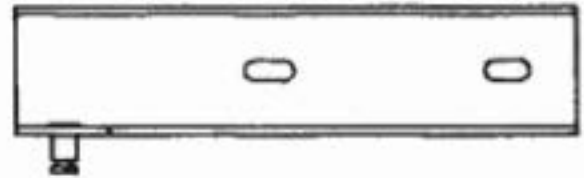
POOL TABLE



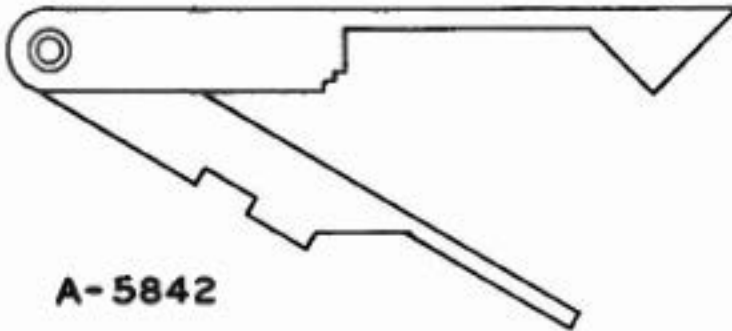
B-5848



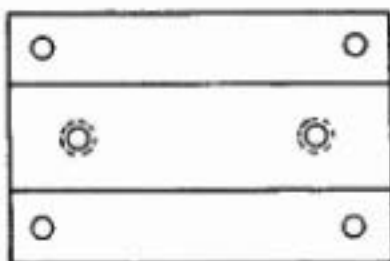
A-5843



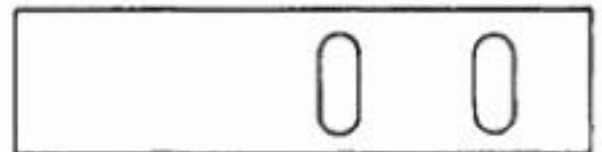
A-5853



A-5842

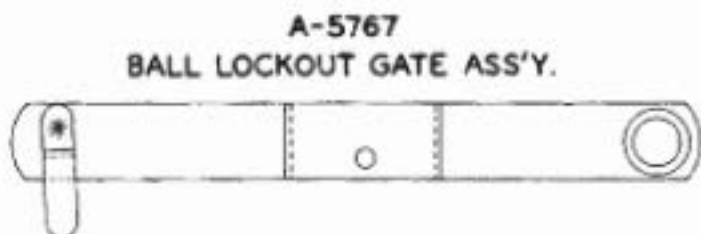
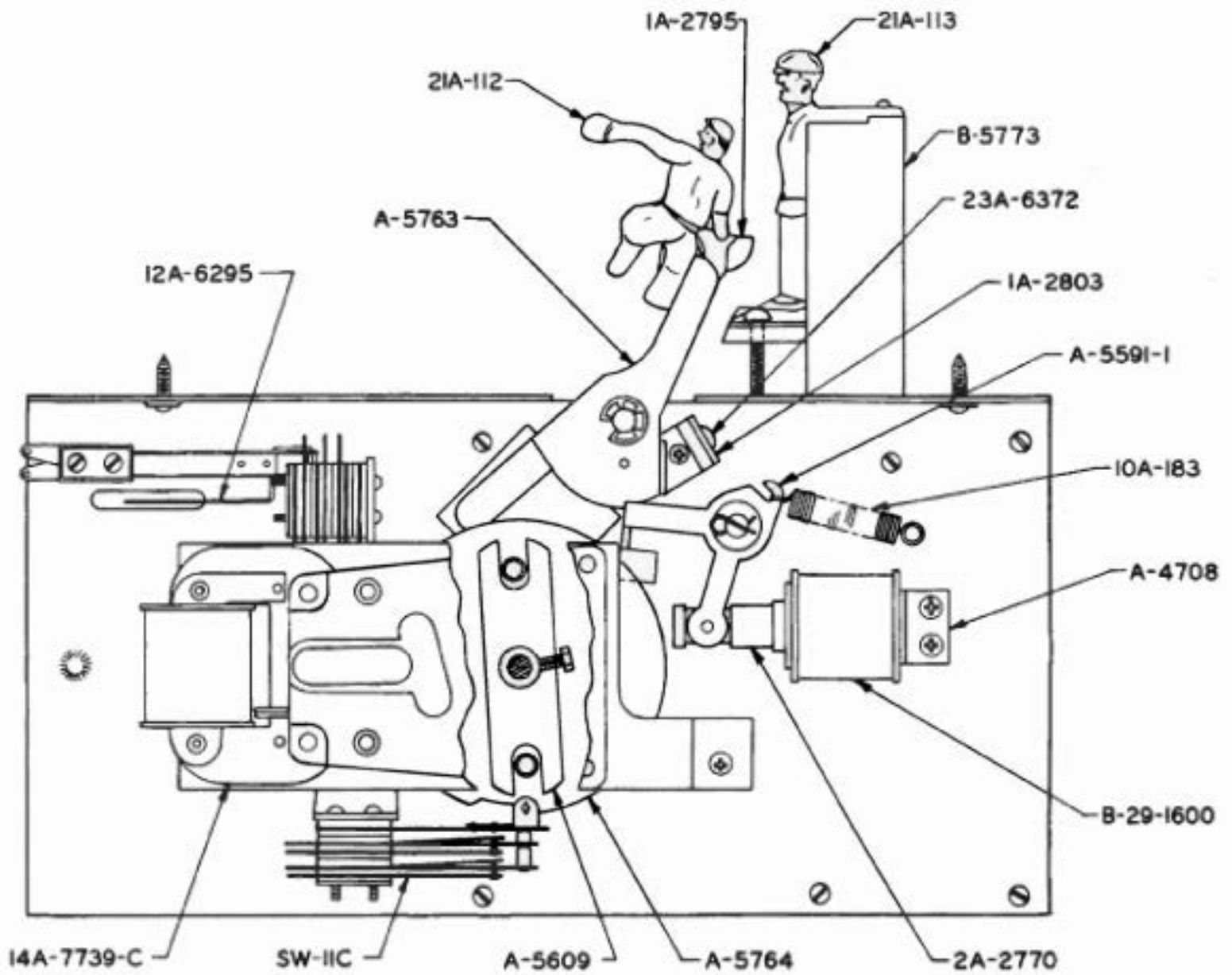


IA-2898

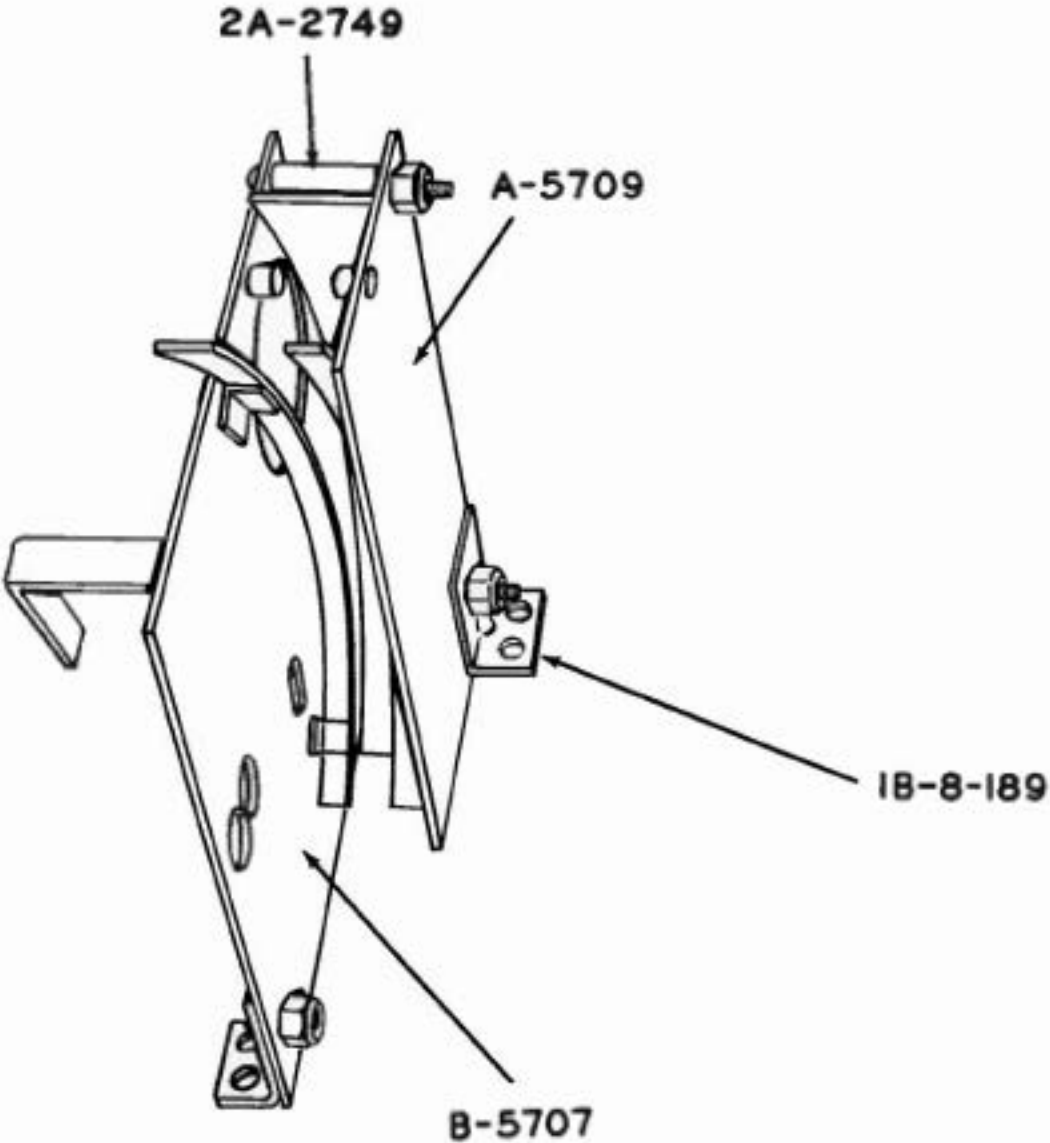


IA-2914

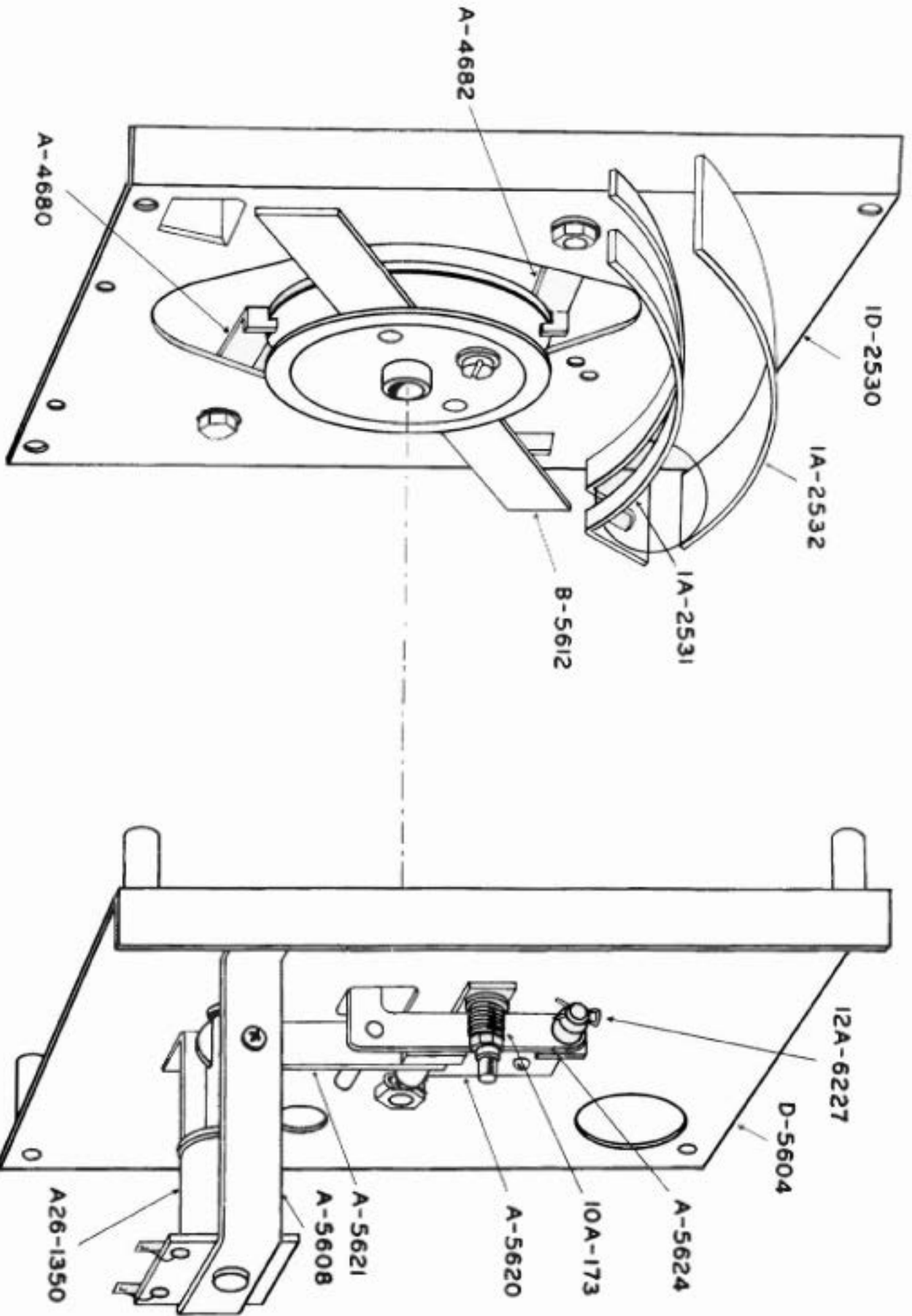
E-5570
PITCHER UNIT ASSEMBLY (OFFICIAL BASEBALL)



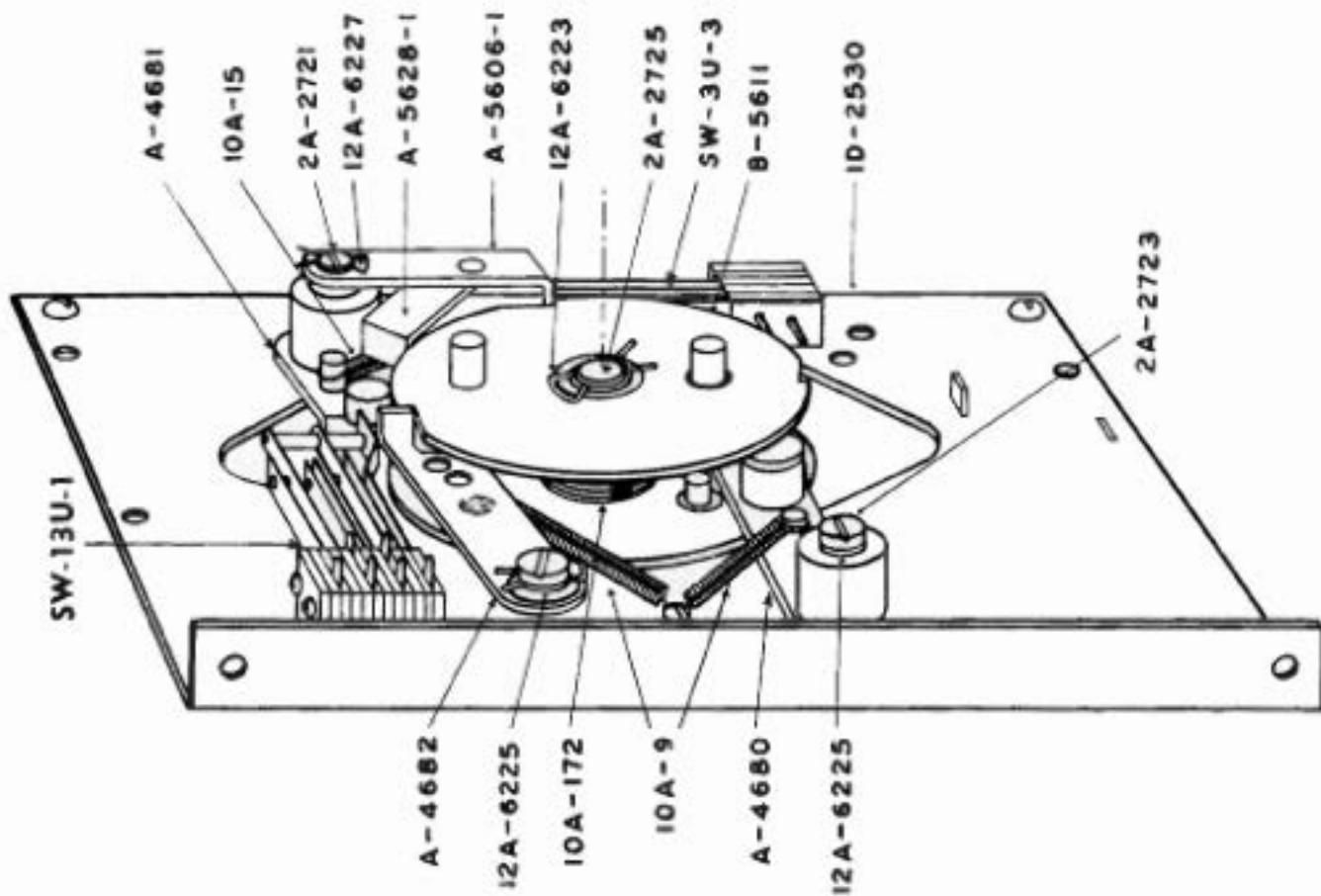
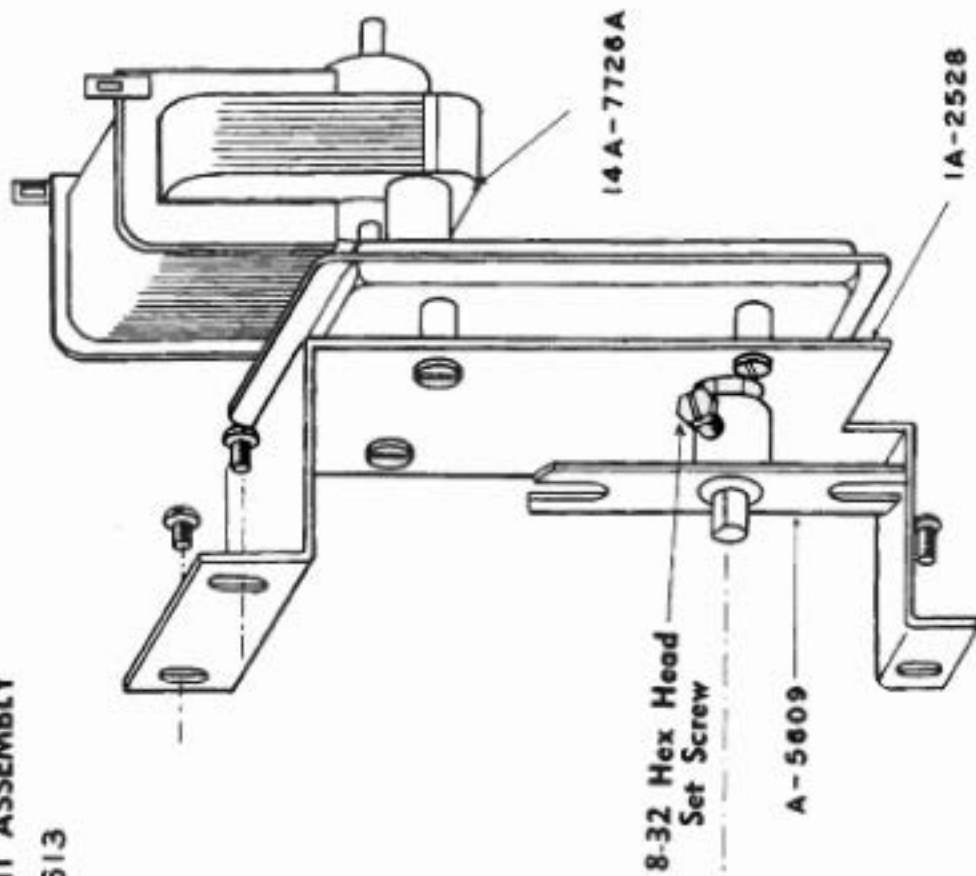
C-4775
BALL TRACK ASSEMBLY



E-5613
PITCHER UNIT ASSEMBLY

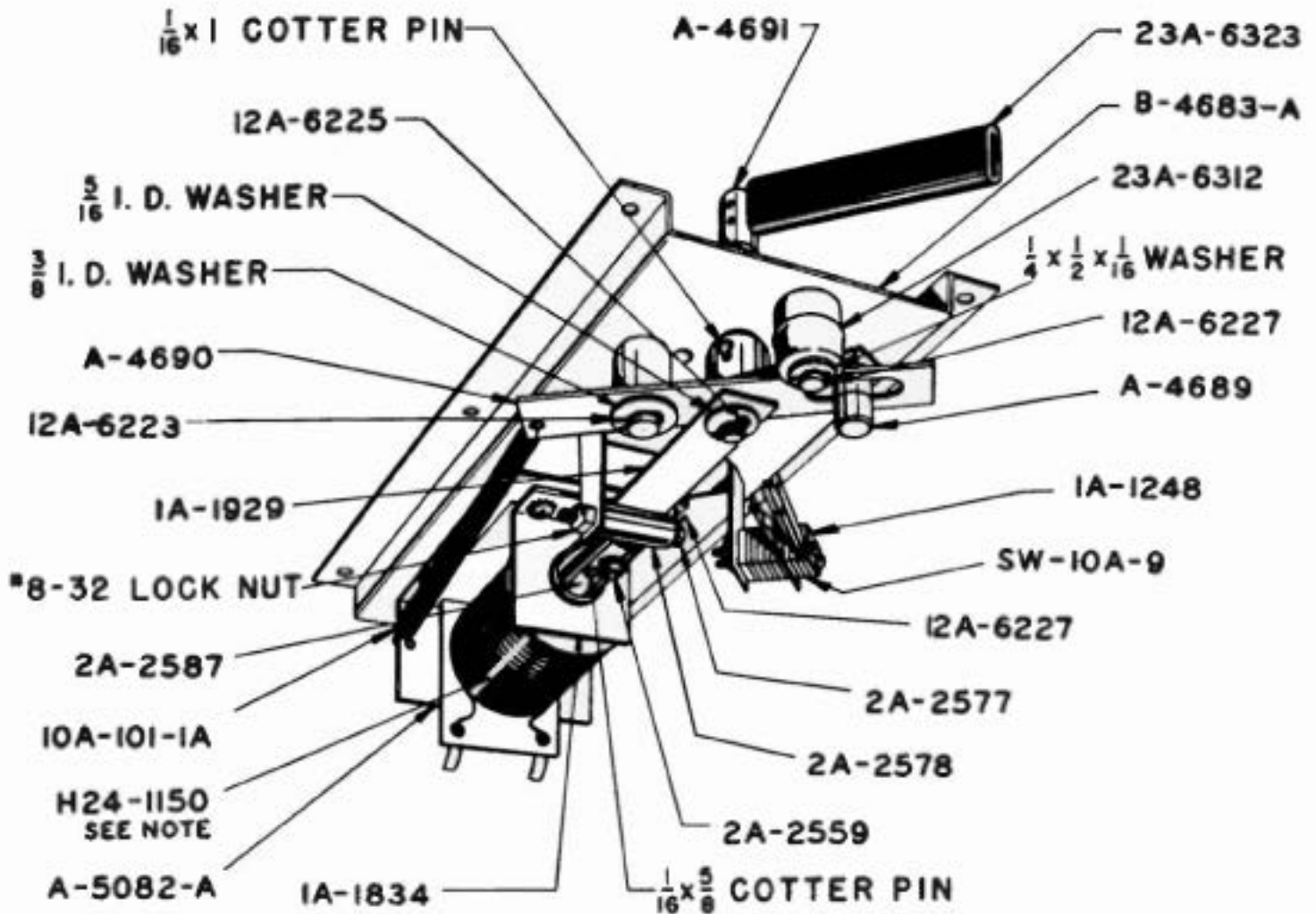


PITCHER UNIT ASSEMBLY
E-5613



BATTER UNIT ASSEMBLY

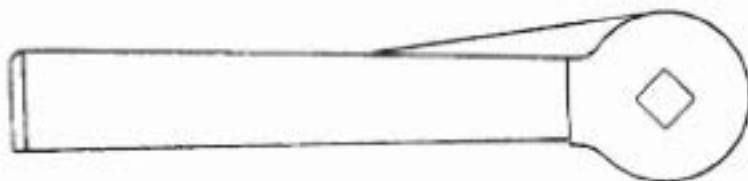
C-5161	----	USED ON	1957 BASEBALL
C-5161-1	----	USED ON	PINCH HITTER
C-5161-2	----	USED ON	OFFICIAL BASEBALL
C-5161-3	----	USED ON	BATTING CHAMP



NOTE:

ON OFFICIAL BASEBALL
USE COIL H-22-700

**PLASTIC BAT
3A-102**

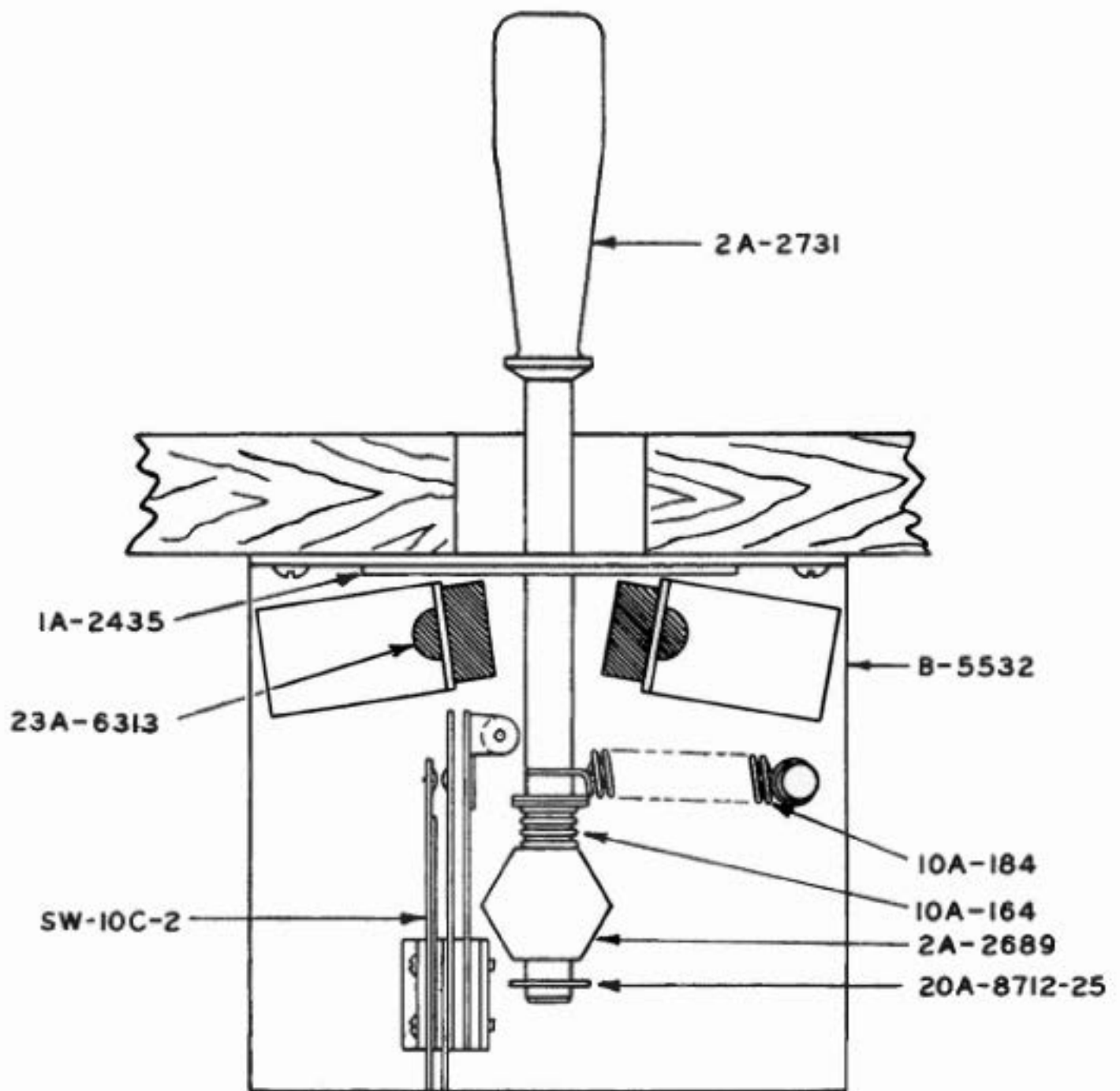


USE ON OFFICIAL BASEBALL
& BATTING CHAMP.

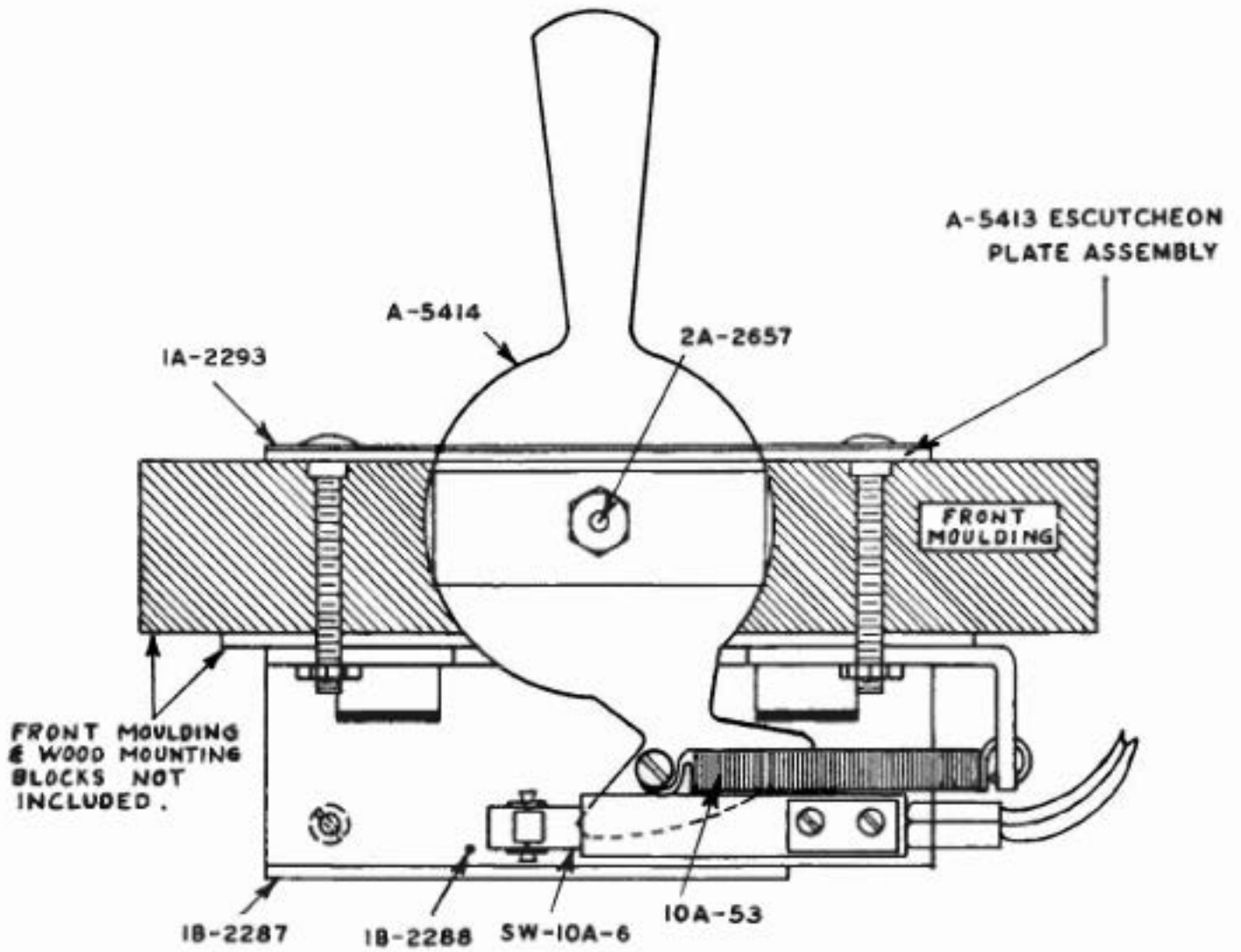
IMPORTANT

ITEM A-4691 USED ON
1957 BASEBALL & PINCH HITTER.
REPLACED BY SHAFT 2A-2799 &
3A-102 ON OFFICIAL BASEBALL
& BATTING CHAMP.

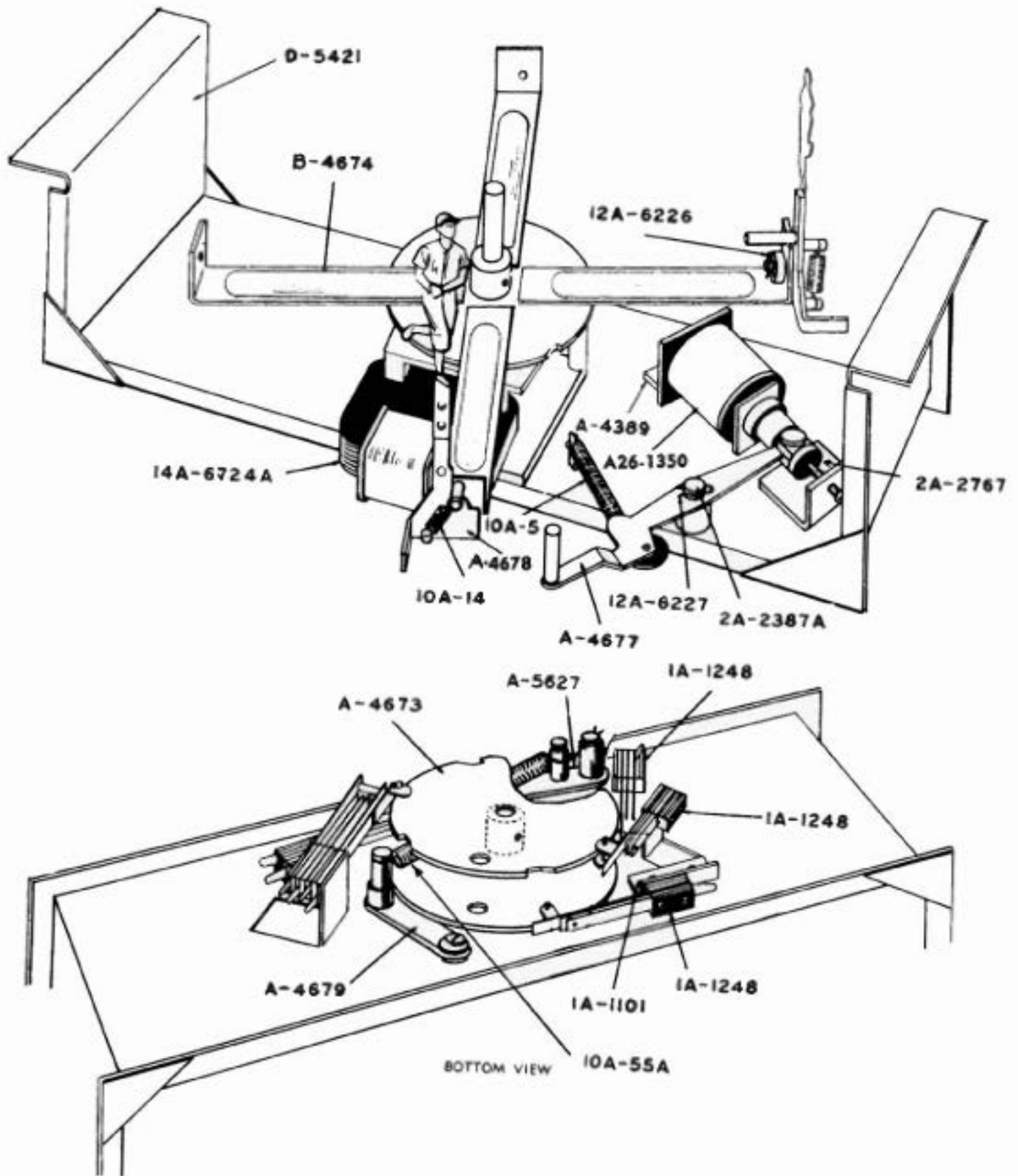
B-5625
BAT HANDLE LEVER ASSEMBLY



D-5431
BAT HANDLE ASSEMBLY (COMPLETE) 1957 BASEBALL



E-5420 MAN RUNNING UNIT ASSEMBLY





A-4678
BASE RUNNER ASS'Y.



A-4779
CATCHER



A-4779-A
UMPIRE



A-4779-B
BATTER



A-4779-C
PITCHER



A-4779-D
FIRST BASEMAN



A-4779-E
SECOND BASEMAN



1A-2768
BASEBALL HOLE DEFLECTOR



A-4779-F
SHORT STOP



A-4779-G
THIRD BASEMAN

20A-8702
CURVE MAGNET COIL



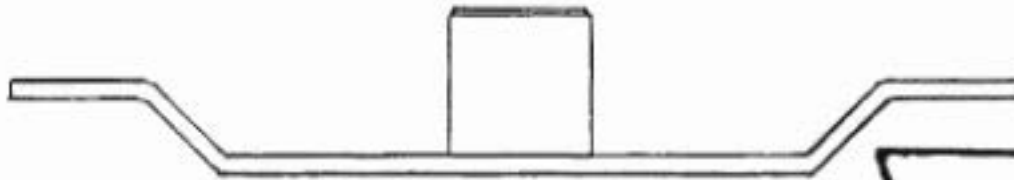
20A-8652 OR 20A-8664
RHEOSTAT



10A-63A
BALL GUIDE SPRING



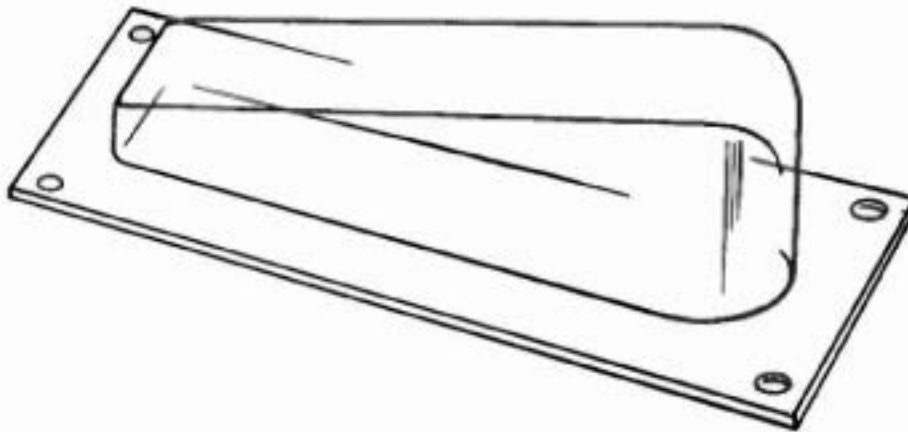
A-5718
CURVE MAGNET COIL BRACKET



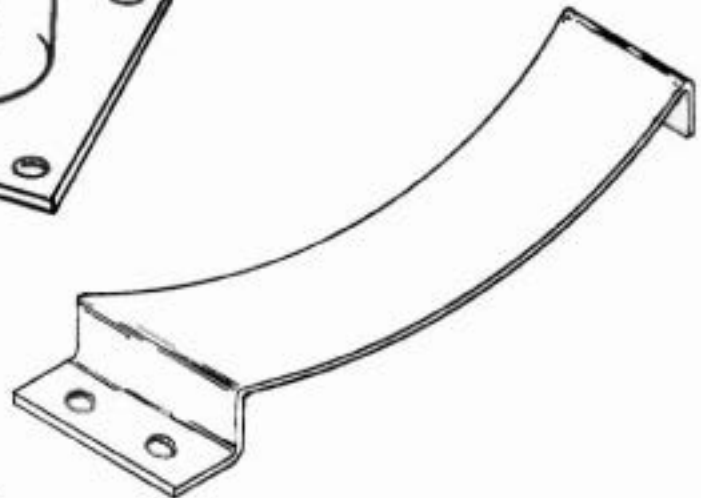
10A-63
BALL GUIDE SPRING



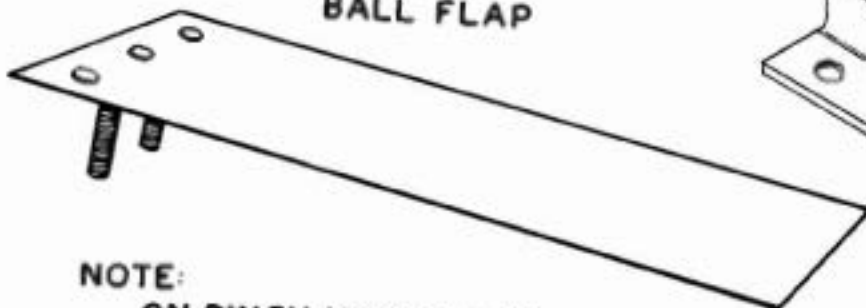
38-7062
PLASTIC BALL RAMP



20B-8689-1
METAL BALL RAMP

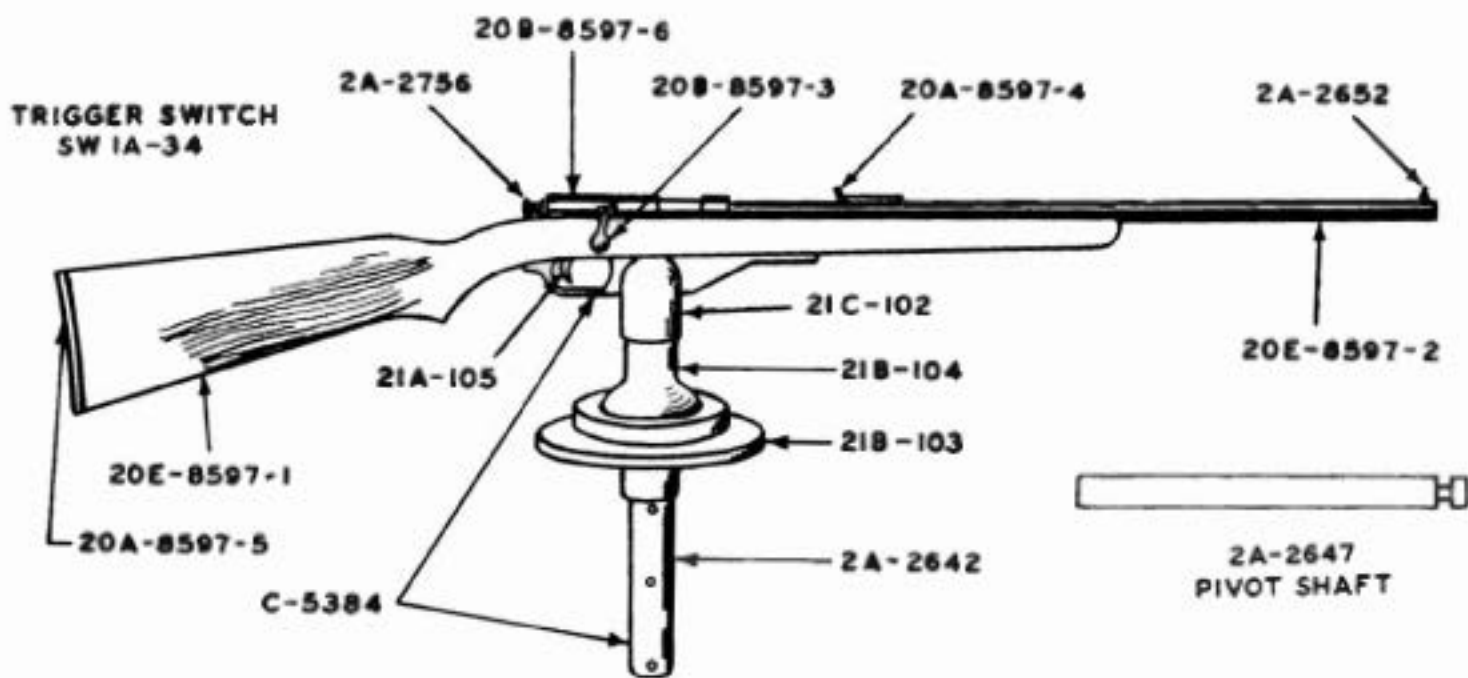


A-5703
BALL FLAP

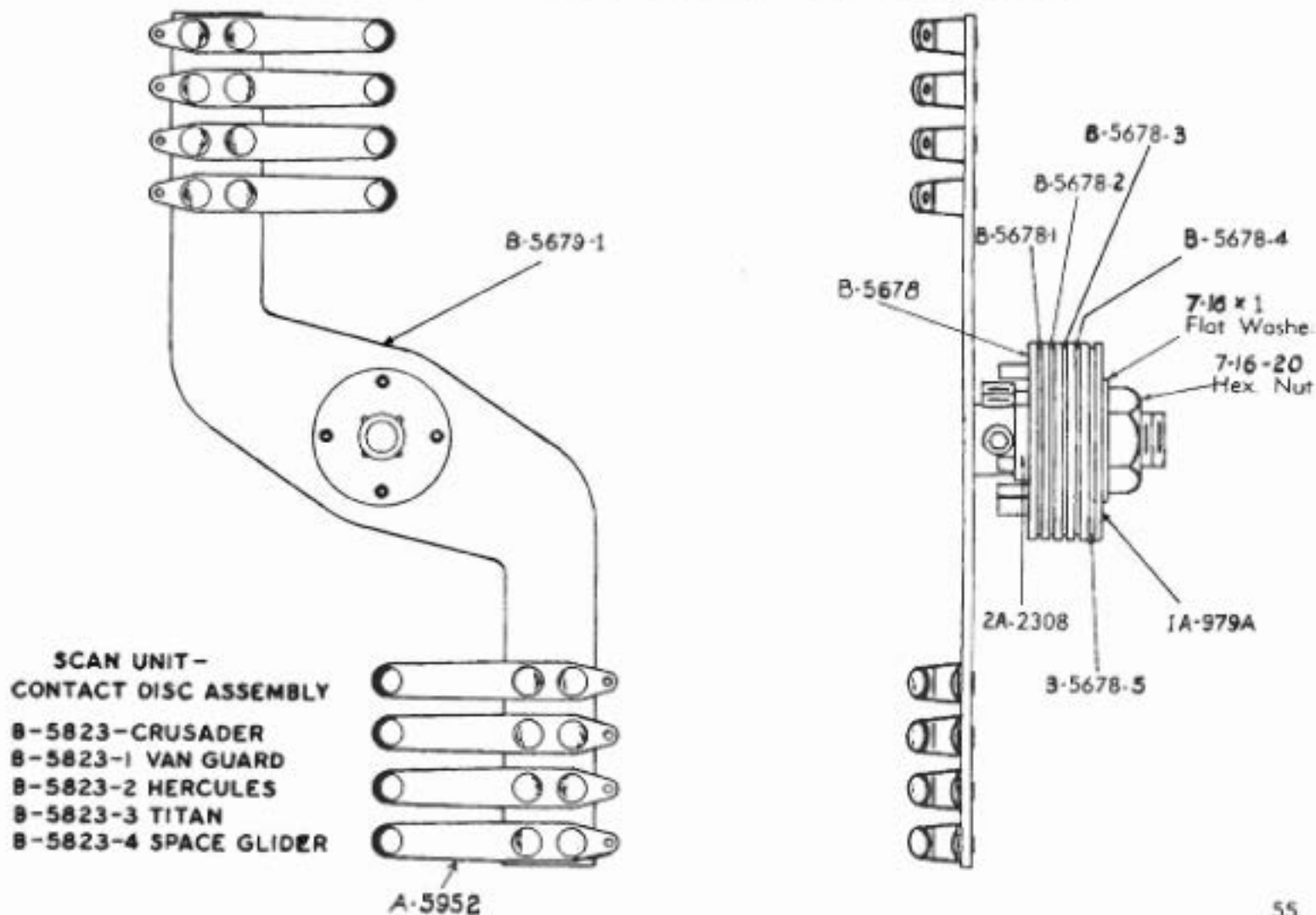


NOTE:
ON PINCH HITTER USE
BALL FLAP NO. A-5723

20E-8597 RIFLE ASSEMBLY

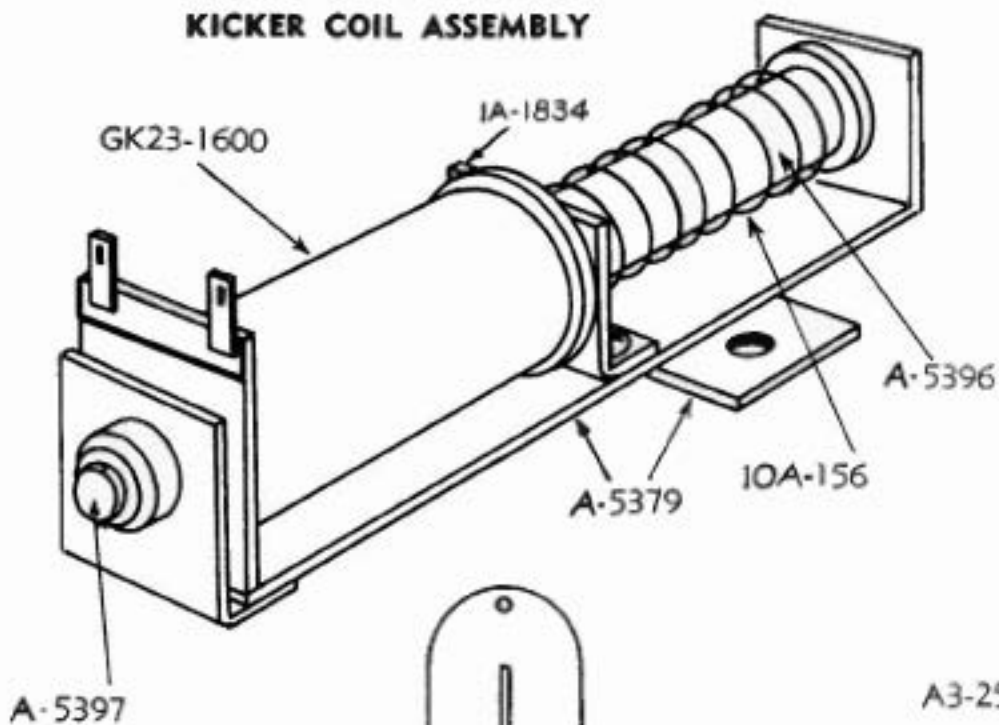


C-5679 SCANNING WIPER & COLLECTOR ASSEMBLY



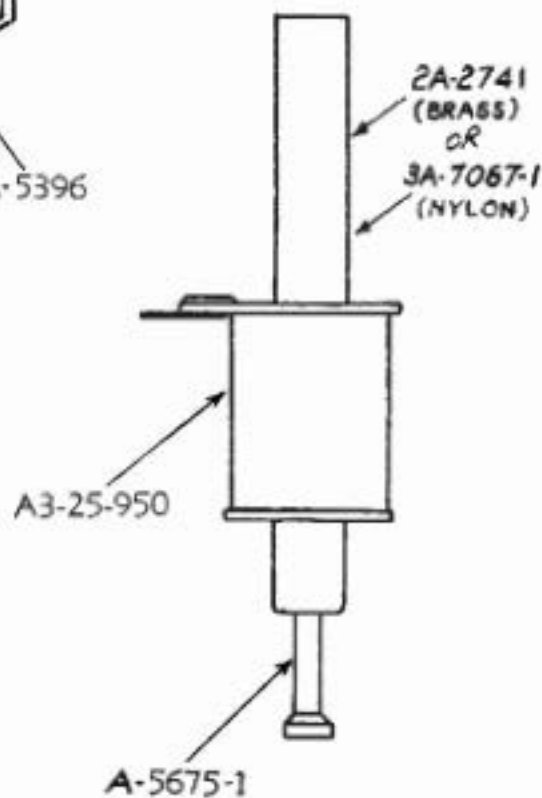
A-5727

KICKER COIL ASSEMBLY



A-5675

BALL KICKER



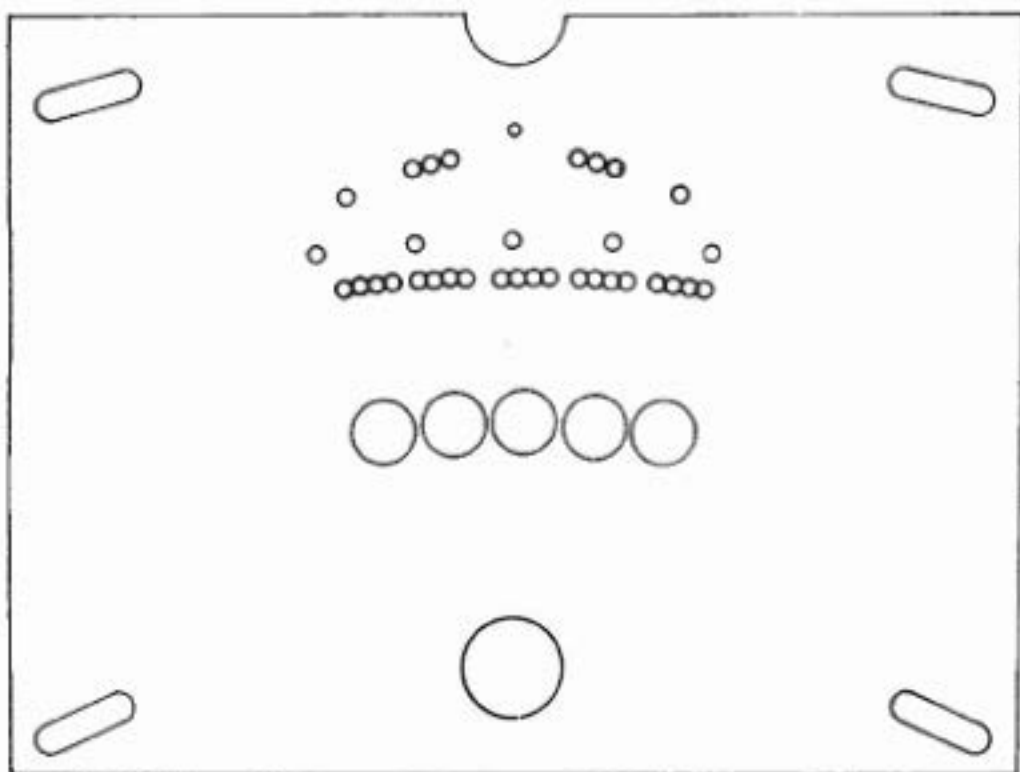
IA-2238-1

COIN ENTRY PLATE

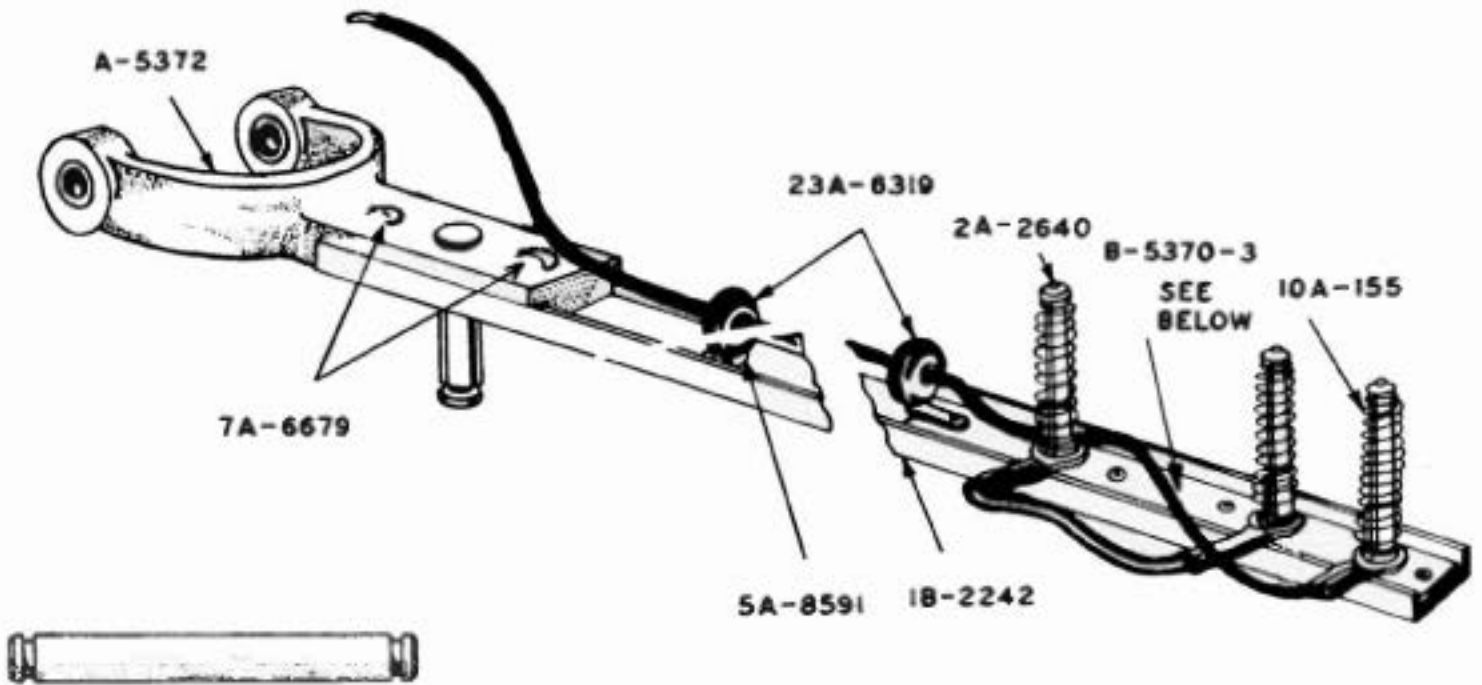


C-4886 CONTACT PLATE DISC ASSEMBLY

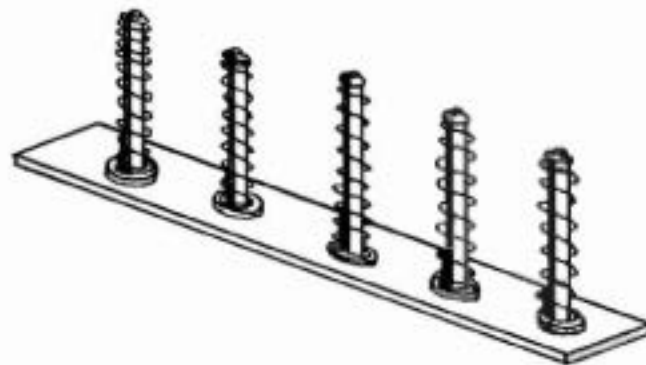
SPECIFY GAME



B-5371 YOKE & CHANNEL ASSEMBLY
 (SPECIFY NAME OF GUN GAME)



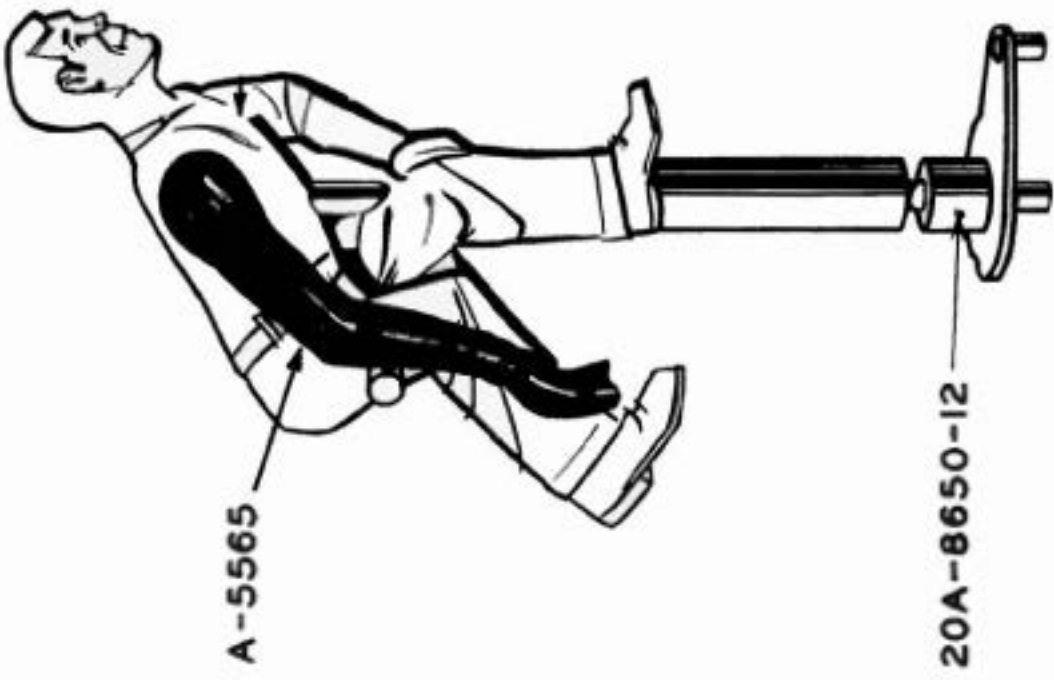
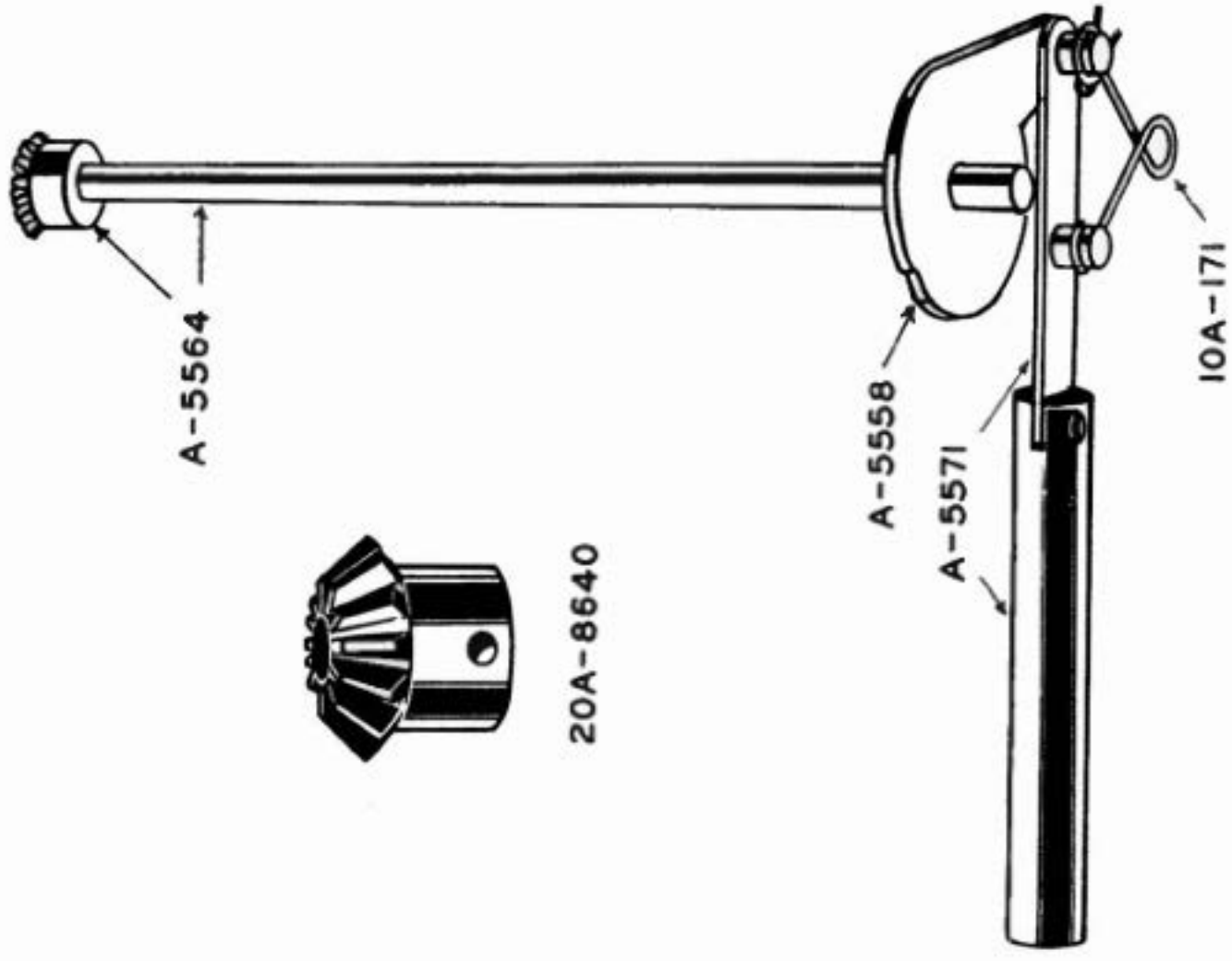
2A-2640
 YOKE HINGE PIN



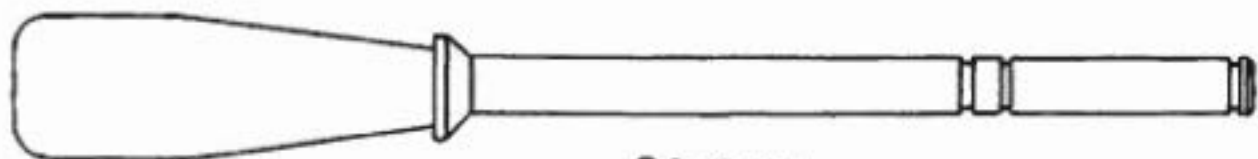
B-5370-5
BUSHING & LUG ASSEMBLY
 (SPECIFY GAME)

NOTE :

- | | | |
|----------|-----------|--------------------------------------|
| B-5370-1 | USED ON - | {SPACE GLIDER |
| B-5370-2 | USED ON - | VANGUARD, HERCULES, CRUSADER & TITAN |
| B-5370-3 | USED ON - | CROSSFIRE |
| B-5370-5 | USED ON - | SAFARI |
| | | POLAR HUNT |

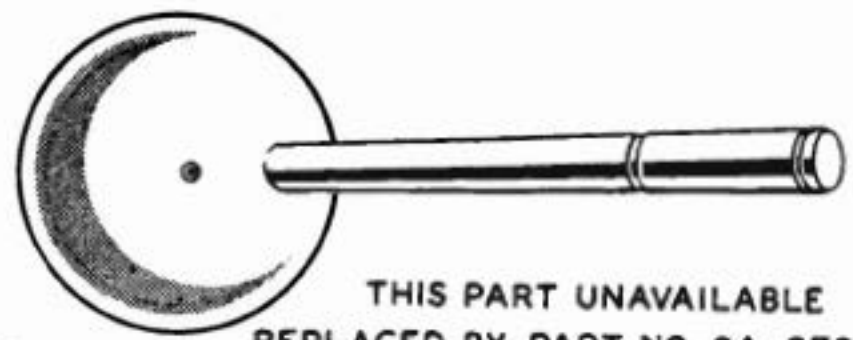
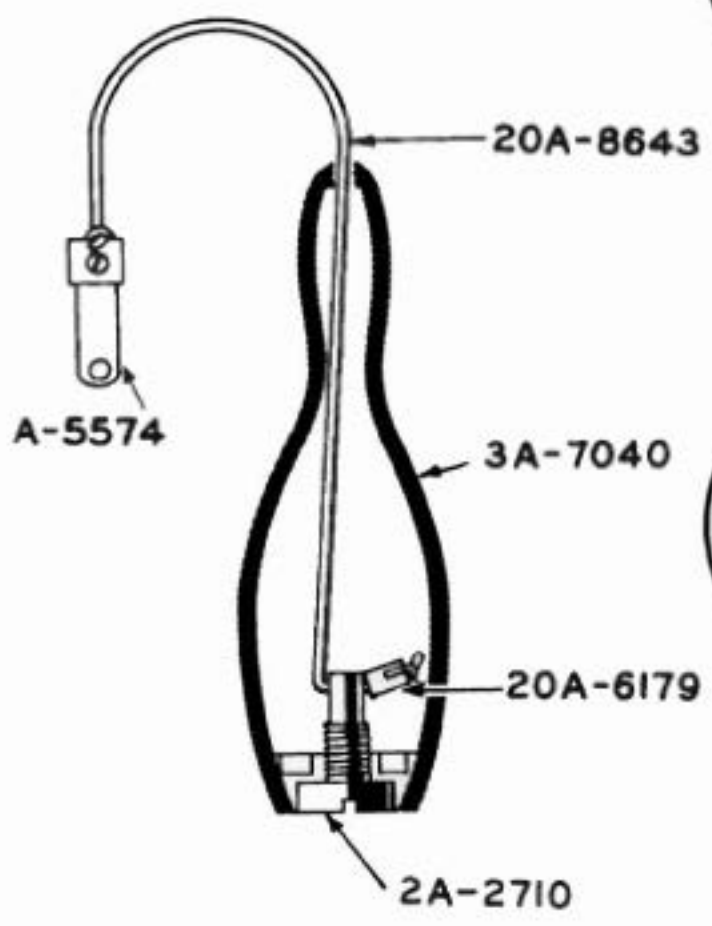


E-5560
BOWLER MANNIKIN ASSEMBLY
 USE COIL AS-20-900

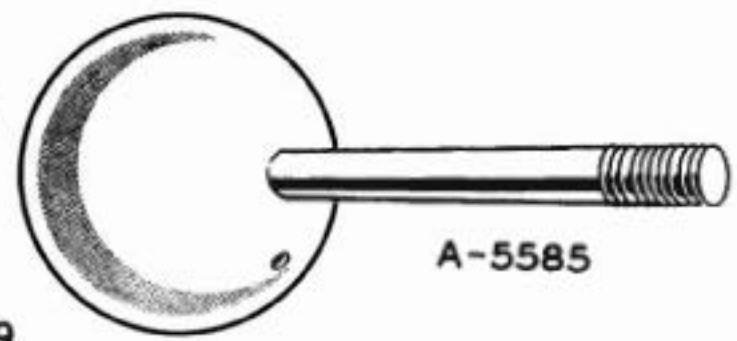


2A-2731

A-5725
PIN ASSEMBLY
(Complete)

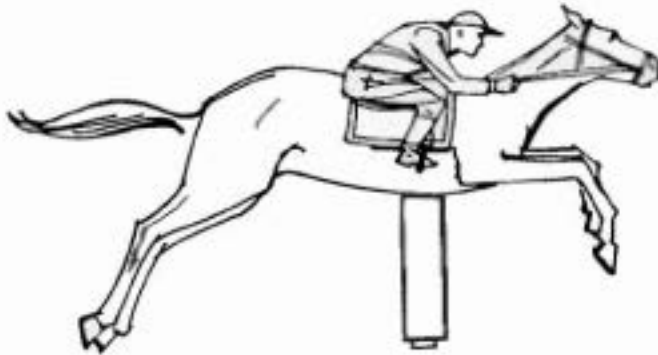


THIS PART UNAVAILABLE
REPLACED BY PART NO. 2A-2731
(SHOWN ABOVE)

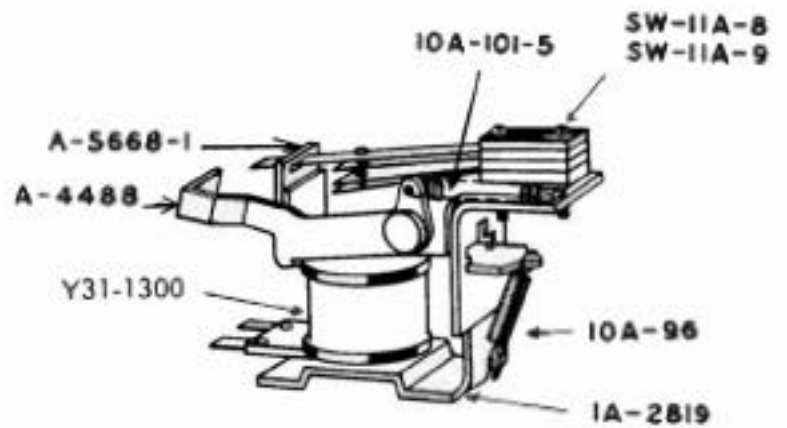


A-5585

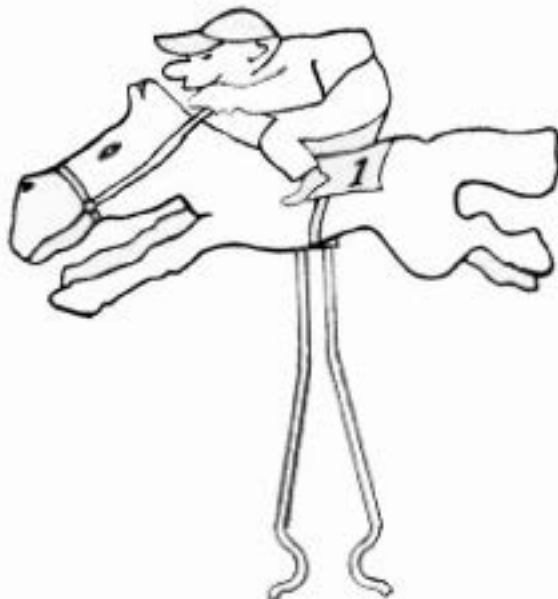
**20A-8673
(TURF CHAMP)**



**BRAKE RELAY
ASSEMBLY
A-5671A & A-5671B**



**A-5783
(ALL OTHER HORSE GAMES)**



A-4488



PRICE LIST

Arranged by Groups of Related Parts

5 BALL CABINETS (Shelf Type)

Part No.	Description	Price
	Cabinet Only	\$55.00
	Light Box Only (Single Player)	17.00
	Light Box Door Only (Single Ply.)	6.00
	Light Box with Door (Single Ply.)	22.00
	Screened Light Box Glass (Sin. Ply.)	16.00
	Plexi-Glass Screened (Single Ply.)	21.00
	Light Box Only (Multi-Player)	24.00
	Light Box Door Only (Multi-Ply.)	6.50
	Light Box with Door (Multi-Player)	30.00
	Screened Light Box Glass (Multi-Player)	18.00
	Plexi-Glass Screened (Multi-Ply.)	25.00
	Screened Playboard	45.00
8C-7031-L	Left Side Moulding	6.50
8C-7031-R	Right Side Moulding	6.50
8B-7032	Front Shelf Trim	1.40
8B-7034	Glass Channel	1.50
1C-2862	Shelf Trim (Top)	1.40
B-5945	Front Moulding Ass'y.	6.50
20C-8709	Tubular Leg	5.50
	21 x 43 Playfield Glass	6.50

5 BALL CABINETS Single Player

	Cabinet Only	\$50.00
	Light Box Only	20.00
	Light Box Door Only	6.50
	Light Box with Door	25.00
	Screened Light Box Glass	16.00
	Plexi-Glass Screened	21.00
	Screened Playboard	45.00
1D-2887	Right Side Moulding Stainless Steel	9.50
1D-2888	Left Side Moulding Stainless Steel	9.50
1B-2892	Rear Moulding-Bottom Plate	2.65
1B-2893	Rear Moulding Top Plate Stainless Steel	4.50
D-5835	Front Moulding Ass'y.	9.50
20B-8719	Glass Channel	1.50
1E-2263-1	Metal Legs	3.00
	21 x 43 Playfield Glass	6.50

5 BALL CABINETS Multi-Player

	Cabinet Only	\$65.00
	Light Box Only	25.50
	Light Box Door Only	6.75
	Light Box with Door	31.00
	Screened Light Box Glass	18.00
	Plexi-Glass Screened	25.00
	Screened Playboard	45.00
1D-2887	Right Side Moulding Stainless Steel	9.50
1D-2888	Left Side Moulding Stainless Steel	9.50

5 BALL CABINETS (cont.)

Multi-Player

1B-2892	Rear Moulding Bottom Plate	2.65
1B-2893	Rear Moulding Top Plate Stainless Steel	4.50
D-5835-1	Front Moulding Ass'y.	9.50
20B-8719	Glass Channel	1.50
1E-2263-2	Metal Legs	3.00
	21 x 43 Playfield Glass	6.50

MISCELLANEOUS CABINET HARDWARE

1A-2385	Metal Door Frame Hinge Cover	\$.25
1A-2386A	Metal Door Frame Locking Bracket	.30
1B-2572	Ball Stop	.75
1D-2759-5	Metal Door Frame (Single Chute)	1.50
1D-2759-6	Metal Door Frame (Twin Chute)	1.50
1B-2894	Cabinet Front Armor	.55
1A-2961	Insert Hinge (Male)	.30
1A-2962	Insert Hinge (Female)	.30
1A-3015	Ball Lift Deflector	.30
2A-2384	Flipper Button Bushing	.40
2A-2525A	Flipper Button	.50
8A-7025-A	Leg Leveler	.30
8A-7025B	Leg Leveler Nut	.06
20A-6500	1-1/16" Steel Ball (Pin Games)	.60
20A-6502A	Carbon Tilt Bob	.55
20A-6518	3/8" Steel Ball (Baseball Games)	.40
20A-6519	15/16" Steel Ball (Roll Tilt)	.50
20A-6520	3/4" Steel Ball (Official Baseball)	.40
20A-6542	Front Door Lock (2 Keys)	1.75
20A-6543	Back Door Lock (2 Keys)	1.75
C-5592	Cash Box Cover	1.50
C-5669	Cash Box	4.00
	Leg Bolt (For Tubular Legs) 3/8-16 x 1 1/4"	.06
	Leg Bolt (Metal Legs) 3/8-16 x 2 3/8"	.12
	Leg Bolt Washer	.02
	Light Box Mounting Bolt 3/8-16 x 4"	.14

COMPLETE ASSEMBLIES

D-4798	100 Step Unit	\$25.00
C-5694	50 Step Unit (Resetting Type)	20.00
C-5745	50 Step Unit (Non Resetting Type)	20.00
C-5866	Replay Unit	20.50
C-5726	10 Step Unit	20.00
C-5726A	10 Step Unit	20.00
B-5053	Jet Bumper Ass'y.	6.50
B-5839	Swinging Target Ass'y.	9.50
E-5590	Disappearing Jet Bumper Ass'y.	25.00
B-5163	Flipper & Coil Ass'y.	5.00
B-5104	Ball Kicker Ass'y.	5.00
E-5613	Pitcher Unit Ass'y (Specify Game)	40.00
C-5161	Batter Unit Comp. (Specify Game)	15.00
E-5570	Pitcher Unit (Official Baseball)	40.00

DOORS

	Wood Door (Specify Game)	\$ 4.00
	Metal Door with 5c or 10c Rejector (Single Chute)	35.00
	Metal Door with Rejectors (Twin Chute)	45.00
	Metal Door with Rejector Mounting Pad less rejectors (Single Chute)	28.00
	Metal Door with Rejector Mounting Pads less Rejectors (Twin Chute)	31.00
C-5490-1	Metal Door (Single Chute)	4.50
C-5490-2	Metal Door (Twin Chute)	4.75

ROAD RACER PARTS

1A-2770-2	Collector Ring Insulator	\$.16
1A-2994	Track Bracket	.20
1A-3013	Thumb Screw Bracket	.30
1B-3014	Latch (Top Section)	.25
2A-2816	Track	1.00
2A-2818	Belt Coupler	1.20
2A-2823	Car Shaft	.45
2A-2826	Steering Crank Collar	.40
2A-2831	Commutator Bushing	.70
3A-7087	Insulator Bushing	.30
5A-6522-2	Solder Lug	.03
8A-7114	Screened Display Glass	23.00
8A-7115	Mirror	12.00
10A-55	Spring	.05
10A-55-A	Spring	.05
12A-6314	Steering Link	.32
14A-7741	Drum Unit Motor	15.00
14A-10794	Timer Unit Motor	7.00
20A-8713-25	'C' Ring Fastener	.08
20A-8713-31	'C' Ring Fastener	.05
20A-8713-37	'C' Ring Fastener	.06
20A-8713-75	'C' Ring Fastener	.12
20A-8715-71	Flat Washer	.02
20A-8725	1/4 x 45" Leather Belt	2.20
20A-8726	1/4 x 42" Endless Leather Belt	5.20
20A-8728-R	Automobile	1.20
20D-8729-R	Steering Wheel	14.00
20A-8731	Ball Race	1.70
20A-8732	Nut Retainer	.10
21A-118	4" Pulley 3/8" Hole	1.60
21A-118-1	4" Pulley 3/8" Hole	1.60
21A-119	2" Pulley 5/16" Hole	.80
21A-120	1 1/2" Pulley 5/16" Hole	.60
22A-105	Indicator Dial	3.00
22A-105-1	Front Scenery	7.50
22A-105-2	Left Side Scenery	7.50
22A-105-3	Right Side Scenery	7.50
23A-6314	#47 Collar Button	.03
23A-6406	Rubber Grommet	.03
23A-6414	Rubber Grommet	.03
B-5760-3	Collector Ring & Pin	.32
B-5911	Mounting Plate	4.50
A-5912	Idler Arm	1.30
A-5913	Carriage	3.20
A-5914	Crank	1.00

ROAD RACER PARTS (cont.)

A-5915	Steering Crank	.50
A-5916	Steering Hub Cover	3.50
B-5917	Steering Wheel	32.50
A-5919	Drum & Cover	56.00
A-5920	Commutator	2.50
A-5921	Timer Motor Bracket	.75
A-5922	Motor Plate	.60
A-5923	Drum Motor Mount	.80
A-5924	Commutator Brush	.45
A-5925	Timer Motor Cam	.90
A-5926	Drum End	7.00
A-5927	Carriage Bracket	1.00
A-5929	Sound Box	3.50
A-5930	Steering Wheel Bearing	10.00
A-5932	Pointer	.30
A-5933-1	Car Contact (Small)	.20
A-5933-2	Car Contact (Medium)	.20
A-5933-3	Car Contact (Large)	.20
A-5934	Steering Shaft	1.75
D-5935	Steering Mechanism	30.00
C-5936	Carriage Bracket	5.95
A-5937	Cash Box	1.50
A-5938	Cash Box Cover	.85
A-5939	Thumb Screw & Bracket	1.00
A-5940	Thumb Screw	.60
A-5941	Thumb Screw Latch	.35
B-5942	Drum Motor Unit	17.50
B-5943	Timer Motor Unit	10.50

POOL TABLE PARTS

	Cash Box Door	\$ 3.00
	Hinge Bracket	.30
	Reset Pivot Mounting Bracket	.65
	Latch Plate	.60
	Coin-Chute Brkt	.20
	Coin Chute Adaptor	.60
	Hinge-Shoulder Screw	.18
	Rail Insert (Plastic)	.06
	Plexi-Glass Window	4.75
	10c Coin Chute-Duplex	18.00
	25c Coin Chute	12.00
1A-2897	Covered Rail End (75" Pool Table)	7.10
1A-2898	Covered Rail End (90" Pool Table)	8.00
1A-2901	Covered Rail Right (75" Pool Table)	7.10
1A-2914	Covered Rail Right (90" Pool Table)	8.00
1A-2950	Covered Rail Left (75" Pool Table)	7.10
2A-2811	Covered Rail Left (90" Pool Table)	8.00
3A-7081	Plastic Shake Bottle	2.00
3A-7082	Cash Box Lock	1.75
9A-7542	Billiard Chalk	.08
9A-8608	48" Cue Stick (75" Pool Table)	4.00
11C-141-1C	Chalk Holder	.15
11C-141-C	Chalk Cord	.08
11C-142-1C	57" Cue Stick (90" Pool Table)	7.30
11C-142-C	Marker Button	
11C-143-1C	(Set-20 Black, 20-White)	1.25
11C-143-C	1 Set Peas (1 to 15)	1.20
20A-6385		
20A-6542-W		
20A-7537		
20A-7538		
20A-7539		
20A-7540		
20A-7569		
20A-8603		
20A-8605		

POOL TABLE PARTS (cont.)

20B-8617-A	Slate Top 35 $\frac{1}{4}$ " x 67 $\frac{1}{2}$ " (75" Pool Table)	82.00
20A-8617-B	Slate Top 43" x 83" (90" Pool Table)	119.00
20A-8618	2 $\frac{1}{4}$ " Ball (1 to 15)	3.70
20A-8618-C	2 $\frac{3}{8}$ " White Cue Ball	4.00
20A-8619	Triangular Ball Rack	3.00
20A-8720	Cash Box	.68
20A-8721-1	Rail Cloth 5 x 34 $\frac{1}{4}$ " (75" Pool Tbl.)	1.30
20A-8721	Rail Cloth 5 x 41" (90" Pool Table)	1.50
20A-8722	Drawer Lock	1.75
20A-8723-1	Slate Cloth 39" x 71 $\frac{1}{4}$ " (75" Pool Table)	26.00
20A-8723	Slate Cloth 47" x 87" (90" Pool Tbl.)	31.00
23B-6411	Rubber Corner Pocket	2.00
23B-6412	Rubber Side Pocket	2.00
23B-6413	Gully Boot (Rubber)	2.40
A-5842	Ball Release Assembly	3.20
A-5843	Pivot Arm Assembly	.95
C-5845	Ball Gate	12.00
B-5848	Connecting Link Assembly	1.10
A-5853	Pivot Bracket Assembly	1.35
B-5872-1	Slate with Cloth Cover (75" Pool Table)	110.00
C-5872-2	Slate with Cloth Cover (90" Pool Table)	150.00
B-5882	Ball Separator (90" Pool Table)	7.50
B-5883	Ball Separator (75" Pool Table)	7.00

TEN STRIKE & TEN PINS
Miscellaneous Parts

1A-2465	Mannikin Coil Bracket (Rear)	\$.35
1A-2477	Mannikin Coil Bracket (Front)	.50
1A-2479	Plexiglass Bracket	1.50
1A-2484	Front Molding (Specify Ten Strike or Ten Pins)	3.50
2A-2711-1	Mannikin Arm & Shaft Bearing (Short)	.50
2A-2711-2	Mannikin Arm & Shaft Bearing (Long)	.70
3A-7030	Plexiglass Hood (Ten Strike)	35.00
3A-7050	Plexiglass Hood (Jumbo Ten Strike)	45.00
10A-165	Ball Release Spring	.20
10A-167	Arm Return Spring	.20
20A-8646	1 $\frac{1}{4}$ " Steel Ball	1.50
20A-8650-10	Taper Pin for Pinion Gear	.04
20A-8650-12	Taper Pin for Solenoid Crank	.04
20A-8650-20	Taper Pin for Arm & Gear Assy.	.05

TURNTABLE ASSEMBLY
(Nags)

E-5771	Turntable Assembly Complete	\$75.00
1A-2528	Motor Mounting Bracket	.80
1A-2785	Turntable Plate (Under Playfield)	.60
2A-2775	Turntable Driven Coupler	.75
2A-2776	Turntable Drive Coupler	.75
3A-6040	Jet Bumper Cap (Spe. No. on Cap)	.45
11C-111	Turntable Disc (Top)	4.50
14A-7737	Gear Motor	12.00

TURNTABLE ASSEMBLY (cont.)
(Nags)

20A-6559	Thrust Bearing	.75
B-5053	Jet Bumper Assembly	6.50
A-5324	Bumper Switch Assembly	.60
A-5748	Turntable Drive Plate Assy.	.70
A-5751	Turntable Roller Assembly	.60
A-5752	Turntable Roller Assembly	.70
A-5754	Drive Shaft Assembly	.80
B-5759	Mounting Bracket & Brush Assy.	3.00
B-5759-1	Mounting Bracket & Brush Assy.	3.20
B-5761	Commutator Assembly	15.80

HORSE UNIT ASSEMBLY

E-5777	Horse Unit Assembly Complete	\$110.00
1A-2813	Clutch Washer	.06
3A-6018	Sprocket	.50
10A-93	Chain Connecting Spring	.05
10A-94	Friction Drive Spring	.07
14A-6716	Motor	15.00
20A-6529	Horse Chain	.50
20A-6529-1	Drive Chain	.20
20A-7550	Felt Washer	.06
20A-7551	Friction Washer (Leather)	.06
20A-8673	Horse Assy. (Turf Champ Only) Specify No. of Horse	2.00
A-4472	Horse Carriage Bracket Assy.	1.10
A-4488	Brake Relay Latch	.60
A-5668	Brake Relay	4.00
A-5668-1	Brake Relay Armature Assembly	.50
A-5671-A	Brake Relay Assy. (Complete)	5.00
A-5671-B	Brake Relay Assy. (Complete)	5.15
A-5783	Horse Assy. (Specify No. on Horse)	.75
SW-1A-22A-2	Double Break Switch	.75
SW-1A-25	Make Switch	.60
SW-2A-5	Break Switch	.60
Y-31-1300	Brake Relay Coil	1.60

MOTORS

14A-6716	Horse Unit Motor	\$15.00
14A-6724A	Man Running Unit Motor (All Baseball Games)	12.00
14A-6734	Target Motor (Safari-Polar Hunt)	12.00
14A-6736	Swinging Target Motor (Safari)	12.00
14A-6738A	Score Motor (All 5-Ball Type Games)	10.00
14A-6738-50	Score Motor 50 Cycle	12.00
14A-7704	Pitcher Unit Motor (4 Bagger-Only)	12.00
14A-7722	Score Motor (Ten Pins & Ten Strike)	12.00
14A-7723	Pin Reset Motor (Ten Pins & Ten Strike)	12.00
14A-7724	Ball Lift Motor (Ten Pins & Ten Strike)	12.00
14A-7726A	Pitcher Unit Motor (All Baseball Games Except Four Bagger & Official Baseball)	12.00
14A-7731A	Search Unit Motor (On Gun Types)	12.00
14A-7732A	Score Motor (Bouncing Ball Type, Except Titan)	10.00
14A-7735A	Motor for Disappearing Jet Bumper	10.00
14A-7735A-50	Motor for Disappearing Jet Bumper-50 Cycle	12.00

MOTORS (cont.)

14A-7736A	Score Motor (Titan)	10.00
14A-7737	Turntable Motor (Nags)	12.00
14A-7739C	Pitcher Unit Motor (Official Baseball)	12.00
14A-7740-50	Moving Target Motor	7.00
14A-7741	Drum Unit Motor (Roadracer)	15.00
14A-10794	Timer Motor (Roadracer - Voice-O-Graph)	7.00

PLASTIC PARTS

3A-6000	Small Plastic Post	\$.10
3A-6001	Large Plastic Post	.14
3A-6003	Large Rollover Guide	.08
3A-6004	Medium Rollover Guide	.08
3A-6005	Small Rollover Guide	.07
3A-6007-R	Plastic Flipper-small "F" Spe. color	.20
3A-6007-L	Plastic Flipper-large "F" spe color	.20
3A-6008	Jet Bumper Body	.22
3A-6009-A	Jet Bumper Base	.14
3A-6013	Nylon Plunger	.10
3A-6014	Nylon Flipper Bushing	.30
3A-6015-C	Eject Hole Shield	.12
3A-6016	Small Rollover Button	.10
3A-6020	Round Bumper Cap (Plain)	.14
3A-6020	Round Bumper Cap (Lettered)	.18
3A-6021-A	Bumper Assy. - wafer with plastic stem, less rubber ring & socket	1.00
3A-6035	Jet Bumper Wafer-plastic stem	.22
3A-6040	Jet Bumper Cap - sunburst edge, colored rim, white insert-(Plain)	.40
3A-6040	Jet Bumper Cap - sunburst edge, colored rim, white insert-(Let)	.45
3A-6056	Bumper Wafer - Plastic Stem	.22
3A-6085	Drive Crank	.20
3A-6091	Target Plastic 1 1/8" diameter	.20
3A-6091-A	Target Plastic 1" diameter	.20
3A-7023	Acetate Cover (Service Call)	.04
3A-7024	Acetate Score Card Cover	.06
3A-7034-1	Plastic Lite Hood 1 1/2" Dbl. Apron	.16
3A-7035	Plastic Lite Hood 2 1/8" Dbl. Apron	.16
3A-7036	Plastic Lite Hood 2 1/8" Single Apron	.18
3A-7037	Plastic Lite Hood 1 1/2", Single Apron-Plain	.18
3A-7037	Plastic Lite Hood 1 1/2", Single Apron-Lettered	.24
3B-7062	Ball Ramp	1.20
3A-7065	Bushing-Kick Off Plunger	.30
3C-7070	Cam & Ratchet Hub	.40
3A-7086	Regular Bumper Body	.22

COILS

A-25-950	Step Up Coil	\$1.60
A-26-1100	Step Up Coil	1.95
A-26-1350	Step Up Coil	1.95
A-27-1650	Eject Coil	1.95
A-30-2700	Ball Release Coil	2.10
AS-20-900	Arm Solenoid Coil (Ten Pins & Ten Strike)	2.50

COILS (cont.)

A1-26-1100	Shooter Coil	1.95
A2-26-1100	Knocker Coil	1.95
A2-26-1350	Bell Coil	1.95
A3-25-950	Target Hole Coil (Gun Type)	1.95
B-29-1600	Reset Coil	1.70
D-22-1150	Relay Bank Reset	2.20
D-24-1150	Relay Bank Reset	2.20
D-24-1400	Relay Bank Reset	2.20
D-24-1600	Relay Bank Reset	2.20
DU-26-1350	Drum Unit Coil	1.95
E-33-2500	Relay Coil	1.60
E-32-1800	Relay Coil	1.60
FL-25-31	Flipper Coil	2.20
G-25-1100	Jet Bumper Coil	1.95
G-26-1400	Kicker Coil	1.95
GK-23-1600	Kicker Coil (Gun Type)	2.50
GI-25-1100	Disappearing Bumper Coil	1.95
H-22-700	Bat Coil (Official Baseball)	2.20
H-24-1150	Bat Coil (Except Official Baseball)	2.20
IT-29-1000	Latch Relay Coil	1.60
IT-30-1500	Latch Relay Coil	1.60
IT-32-2100	Latch Relay Coil	1.60
IT-35-4200	Latch Relay Coil	1.80
M-28-600	Relay Coil	1.60
M-31-1700	Relay Coil	1.60
M-32-1800	Relay Coil	1.60
M-33-2800	Relay Coil	1.80
M-34-3100	Relay Coil	1.80
M-36-5500	Relay Coil	1.80
X-28-800	Relay Bank Coil	.80
X-30-1000	Relay Bank Coil	.80
Y-31-1300	Brake Relay Coil (Turf Champ)	1.60
Z-30-1800	Relay Coil	1.70
Z-31-2300	Relay Coil	1.70
Z-35-4200	Relay Coil	1.80
Z-35-5500	Relay Coil	1.80
20A-8622	Coin Lockout Coil	1.50
20A-8702	Curve Magnet Coil	3.50
C-28-1100	Old Knocker Coil	1.70

TRANSFORMERS

15A-6764-X1	Transformer (All 5-Ball Type Games)	\$12.00
15B-6767-50	Transformer (50 Cycle)	18.00
15A-6768	Transformer (Bouncing Ball Gun Types)	14.00

COIN CHUTES and REJECTORS

9A-7542	ABT Duplex 10c Chute	\$18.00
9A-8529	National 10c Rejector	8.00
9A-8551	National 5c Rejector	8.00
9A-8552	National 25c Rejector	8.00
9A-8608	ABT 25c Push Chute All Foreign Rejectors	12.00 12.00

NOTE: When ordering foreign coin chutes or rejectors, enclose sample of coin.

BALLS

3A-6086	1½" Catalin Ball (Specify Color)	\$1.00
20A-6403	Rubber Ball (Vanguard) (Set of 7 Balls)	1.50
20A-6500	1-1/16" Steel Ball	.60
20A-6518	¾" Steel Ball (Baseball Games)	.40
20A-6519	15/16" Steel Ball (Roll Tilt Assy.)	.50
20A-6520	¾" Steel Ball (Official Baseball)	.40
20A-8618	2¼" Billiard Ball (Num. 1-15)	3.70
20A-8618C	2¾" White Cue Ball	4.00
20A-8646	1¼" Steel Ball (Ten Strike & Ten Pins)	1.50

RUBBER PARTS

23A-6300	5/16" Rubber Ring	\$.05
23A-6301	¾" Rubber Ring	.06
23A-6302	1" Rubber Ring	.07
23A-6303	1¼" Rubber Ring	.08
23A-6304	1½" Rubber Ring	.08
23A-6305	2" Rubber Ring	.10
23A-6306	2-5/16" Rubber Ring	.14
23A-6307	2¾" Rubber Ring	.16
23A-6308	3¾" Rubber Ring	.18
23A-6309	3¾" Rubber Ring	.20
23A-6310	5" Rubber Ring	.30
23A-6311	5/16" Jumbo Rubber Ring	.05
23A-6313	Rubber Bumper	.10
23A-6314	Rubber Bumper	.03
23A-6316	Large Rebound Rubber	.30
23A-6322	Arch Rubber	Ft. 20
23A-6323	Bat Sleeve	.25
23A-6327	Shooter Tip	.08
23A-6332	Dead Rubber Ring for Plastic Bump.	.07
23A-6350	Idler Wheel (Crane)	2.00
23A-6359	Live Rubber Ring for Plastic Bump.	.07
23A-6372	Rubber Bumper	.10
23A-6406	Rubber Grommet	.03
23A-6408	Rubber Bumper	.06
23A-6414	Rubber Grommet	.03

SWITCHES and SWITCH ASSEMBLIES

SW-1A	Ball Trough (Playfield Bottom)	\$.44
SW-1A-1	Shake Tilt	.60
SW-1A-2	Lane Roll-over (Single)	.44
SW-1A-3	Flipper Button	.55
SW-1A-5	Flipper	.44
SW-1A-6	Ball Trough (Cabinet)	.44
SW-1A-20	Roll Tilt	.20
SW-1A-22A-2	Double Break (Horse Unit)	.75
SW-1A-25	Make Switch (Horse Unit)	.60
SW-1A-27	Eject Hole	.45
SW-1A-34	Trigger	.50
SW-1A-45	Roll-over Button (Make)	.50
SW-1C	Motor	.55
SW-2A-3	Kick Off	.45
SW-2A-5	Break Switch (Horse Unit)	.60
SW-2U-8	Disappearing Bumper (Motor)	.45
SW-3U-3	Cam	.50
SW-10A-5	Single Outhole	.44

SWITCHES and SWITCH ASSEMBLIES (cont.)

SW-10A-6	Bat Handle	.55
SW-10A-7	Anti-Cheat (Door)	.65
SW-10A-9	Bat Unit	.50
SW-10A-11	Swinging Target	.55
SW-10C-2	Bat Lever	.55
SW-11A-2	Lane Roll-over (Double)	.50
SW-11A-8	Switch (Horses #1 to 5 Brake Re.)	.44
SW-11A-9	Switch (Horse #6-Brake Relay)	.44
SW-11A-10	Kicker	.50
SW-11C	Pitcher Cam	.60
SW-12A-3	Disappearing Bumper	.85
SW-13U-1	Switch	.60
SW-20A	Rollover Button	.50
SW-30C	Motor Switch	.60
SW-221U-1	Switch	.60
A-4735	Target Switch Assembly	1.35
A-4783	Jet Bumper Switch Assembly	1.10
A-4799	Tilt Switch Assembly	.88
A-4834	Stand Up Switch Assembly	.55
A-5324	Bumper Switch Assembly	.60
A-5422	Man Running Base Switch Assy.	.70
A-5422-1	Man Running Run Switch Assy.	.70

LIGHT SOCKETS

24A-6404	Longstand Up Playfield Socket	\$.10
24A-6405	Light Socket (10 Step Unit)	.10
24A-6409A	Light Socket Insert	.10
24A-6416	Bumper Lite Socket	.10
24A-6436	Light Socket (Playfield)	.10
24A-6437	Light Socket (Disap Jet Bump.)	.15
24A-6582	Shortstand Up Playfield Socket	.12

LIGHT BULBS

24A-6549	#44 Bayonet Type Light Bulb	\$.12
24A-6550	#55 Bayonet Type Light Bulb	.12
24A-6551	#63 Bayonet Type Light Bulb	.20
24A-6552	#40 Bayonet Type Light Bulb	.12
24A-6583	25 Watt 115 V. Standard Light Bulb-White	.70
24A-6584	100 Watt 115 V. Standard Light Bulb-Red	1.40
24A-6585	15 Watt 115 V. Standard Light Bulb-White	.80
24A-8667	Disappearing Bumper Bulb	.20

FUSES, FUSE HOLDERS and RESISTORS

5A-6134-A	4 Clip Fuse Block	\$1.20
5A-6134-C	1 Clip Fuse Block	.30
5A-6507	5 Amp Fuse	.06
5A-6508	10 Amp Fuse	.05
5A-6509	20 Amp Fuse	.05
5A-6567	15 Amp Fuse	.05
5A-6569	1 Amp Slo Blo Fuse	.30
5A-7518	2 Amp Slo Blo Fuse	.28
5A-8633	3 Amp Slo Blo Fuse	.28
20A-8628	500 OHM 10 Watt Resistor	.35
20A-8629	500 OHM 7 Watt Resistor	.35

FASTENERS

12A-6223	Hairpin Clip	\$.04
12A-6225	Hairpin Clip04
12A-6226	Hairpin Clip04
12A-6227	Hairpin Clip04
12A-6267	Snap-on Cotter Key04
12A-6516	Speed Nut03
20A-6514	Tinnerman Speed Nut04
20A-6516	Tinnerman Speed Nut03
20A-8712-15	"E" Ring02
20A-8712-18	"E" Ring03
20A-8712-21	"E" Retaining Ring03
20A-8712-25	Tru-Arc Retaining Ring04
20A-8712-37	"E" Retaining Ring05
20A-8713-25	"C" Ring Fastener08
20A-8713-31	Tru-Arc Ring05
20A-8713-37	"C" Ring Fastener06
20A-8713-75	"C" Ring Fastener12

MISCELLANEOUS HARDWARE

	3-48 (specify length) Round Head Machine Screw	\$.60C
	5-40 (specify length) Round Head Machine Screw60C
	6-32 x 1 1/8 Oval Head Nylock Flipper Screw	5.42C
	5-40 Steel Hex Nut60C
	6-32 Steel Hex Nut60C
	6-32 Elastic Stop Nut06
	8-32 Elastic Stop Nut07
	8-32 Steel Hex Nut75C
	10-32 Steel Hex Nut75C
	1/4-20 Steel Hex Nut	1.40C
	7/16 x 20 Hex Jam Nut06
	9/16-18 Hex Jam Nut08
	3/4-10 Hex Jam Nut10
	1/4-20 Wing Nut04
	3/8-16 x 1 1/4" Leg Bolt (Tub. Legs)06
	3/8-16 x 2 3/8" Leg Bolt (Metal Legs)12
	3/8-16 x 4" Light Box Mounting Bolt14
	8/32 x 1/2 Allen Head Cap Screw	8.10C
	8/32 x 1/4 Socket Screw	7.62C
	8/32 x 1/4 Hex Head Set Screw09
	1/4-20 x 1 Socket Head Screw08
	1/4-20 x 1 1/2 Socket Head Screw08
8A-7024	3/8 x 1 x 1/16 Leg Bolt Washer	1.00C
	7/16 x 1 x 1/16 Flat Washer	1.40C
20A-6514	Speed Nut04
20A-6530-A	1/16 x 1 Cotter Pin75C
20A-8695	1/16 x 3/8 Cotter Pin50C
20A-8715-40	5/16 x 3/8 x 1/16 St. Washer	1.00C
20A-8715-47	3/8 x 3/4 x 1/16 St. Washer	1.00C
20A-8716-6	1/8 x 1/2 Roll Pin02
20A-8716-7	1/8 x 3/8 Roll Pin03
	1/4 x 1/2 x 1/16 St. Washer	1.40C
20A-8733	Thumb Screw10

PRICE LIST

Arranged In Numerical Order

Part No.	Description	Price	Part No.	Description	Price
1B-8-189	Bracket	\$.18	1A-2484	Front Moulding (Specify Ten Strike or Ten Pins)	3.50
1B-8-508	Coil Bracket	.18	1B-2499	Bumper Slide Bracket	.60
1B-8-508T	Coil Bracket	.20	1A-2503	Bumper Stop	.50
1A-15	Switch Cover Plate - Steel	.03	1A-2505	Disap. Jet Bumper-Spacer Plate	.25
1A-96	Switch Limit Bracket	.15	1A-2528	Motor Mounting Bracket	.80
1A-322	Flipper Base	.10	1D-2530	Pitcher Unit Plate	1.50
1A-335	Flipper Stop Bracket	.30	1A-2531	Ball Guide Rail	1.30
1A-389B	Tilt Wire Bracket	.10	1A-2532	Ball Guide Rail	1.20
1A-482	Rebound Bracket	.20	1A-2546	Cover Mounting Bracket	.50
1A-524	Roll Tilt Bracket	.60	1B-2571	Ball Lift Arm	1.75
1A-600	Mounting Bracket	.45	1B-2572	Ball Stop	.75
1A-916B	Fibre Spacer 3/32	.03	1B-2573	Ball Guide	1.00
1A-916L	Fibre Spacer 1/16	.02	1A-2739	Return Cup Baffle	.20
1A-916RA	Switch Spacer - Aluminum	.04	1B-2740	"E" Relay Frame	.78
1A-916T	Fibre Spacer 1/32	.02	1B-2746-1	"E" Relay Mounting Bracket (Single)	.50
1A-941	Latch Relay Mounting Plate	.70	1B-2746-2	"E" Relay Mounting Bracket (Dbl.)	.70
1A-954	Jet Bumper Armature Link	.14	1A-2747	"E" Relay Backing Plate-Upper Break	.12
1A-979A	Collector Ring Insulator	.10	1D-2759-5	Metal Door Frame (Single Chute)	1.50
1A-1101	Switch Bracket	.15	1D-2759-6	Metal Door Frame (Twin Chute)	1.50
1B-1178	Large Bell	1.60	1B-2760-2	Coin Entry Plate (10c)	.40
1A-1179A	Bell Shell 3 3/8"	.95	1B-2760-3	Coin Entry Plate (5c)	.40
1B-1192	Link	.30	1B-2760-4	Coin Entry Plate (25c)	.40
1A-1231	Jet Bumper Armature Link Fibre	.25	1A-2768	Hole Deflector (Official Baseball)	.50
1A-1248	Switch Cover Plate	.03	1A-2770-2	Collector Ring Insulator	.16
1A-1354	Ball Gate	.35	1A-2771	Collector Ring	.16
1C-1538	Screened Reel	2.75	1A-2785	Turntable Plate (Under Playfield)	.60
1A-1628	Stop Bracket	.40	1A-2795	Pitcher Cup	.50
1A-1747	Coil Retaining Bracket	.35	1A-2803	Pitcher Arm Stop Bracket	.16
1A-1789	Armature Link	.25	1A-2813	Clutch Washer	.06
1A-1792	Coil Bracket	.25	1A-2819	Relay Frame	1.00
1A-1834	Coil Bracket	.35	1A-2847	Armature Link	.20
1A-1860	Cigarette Holder	.40	1C-2862	Shelf Trim (Top)	1.40
1A-1900	Cigarette Holder	.40	1D-2887	Right Side Moulding (Stain. Steel)	9.50
1A-1920	Coin Switch Mounting Plate	.40	1D-2888	Left Side Moulding (Stain. Steel)	9.50
1B-1921	Coin Switch Bracket	1.00	1B-2892	Rear Moulding Bottom Plate	2.65
1A-1929	Armature Link	.15	1B-2893	Rear Moulding Top Plate (Stainless Steel)	4.50
1A-2000	Wiper Blade	.05	1B-2894	Cabinet Front Armor	.55
1A-2005-1	Switch Spacers Bakelite 1/16	.03	1A-2897	Hinge Bracket	.30
1A-2005-2	Switch Spacers Bakelite 1/32	.02	1A-2898	Reset Pivot Mntg. Brk't	.65
1A-2005-3	Switch Spacers Bakelite 3/32	.03	1A-2901	Latch Plate	.60
1A-2005-4	Switch Spacers Bakelite 1/4	.02	1A-2914	Coin Chute Bracket	.20
1A-2028	Mounting Plate	.35	1A-2924	Bell Mounting Bracket	.25
1A-2048	Switch Cover Plate	.04	1A-2926	Drive Stop Bracket	.20
1A-2053A	Coil Mounting Bracket	.45	1A-2928	Adjustable Stop Bracket	.20
1B-2055	Relay Bank Cover (Specify Number of Relays)	1.00	1A-2931-L	Frame Mounting Bracket	.35
1A-2098	Wiper Blade	.05	1A-2931-R	Frame Mounting Bracket	.35
1A-2238-1	Coin Entry Plate (Specify 5c or 10c)	.70	1A-2950	Coin Chute Adaptor	.60
1B-2242	Target Selector Channel	.30	1A-2961	Insert Hinge (Male)	.30
1E-2263-1	Metal Legs - Single Player	3.00	1A-2962	Insert Hinge (Female)	.30
1E-2263-2	Metal Legs - Multiple Player	3.00	1A-2994	Track Bracket	.20
1B-2287	Bot Switch Cover	.20	1A-3013	Thumb Screw Bracket	.30
1B-2288	Bot Handle Mounting Bracket	.50	1B-3014	Locking Latch (Top Section)	.25
1A-2293	Chrome Escutcheon Plate	.10	1A-3015	Ball-Lift Deflector	.30
1B-2362	Frame Mounting Bracket	.50	1A-3022	Coin Deflector	.30
1B-2373	Replay Unit Leg	.90	2A-2051	Reset Coil Plunger	.60
1A-2385	Metal Door Frame Hinge Cover	.25	2A-2080A	Flipper Shaft	.14
1A-2386-A	Metal Door Frame Locking Bracket	.30	2A-2129	Ball Lift Tip	.25
1A-2423	Switch Mounting Bracket	.20	2A-2143	Switch Pin	.18
1A-2435	Lever Slide	.25	2A-2306-3	Commutator Pin	.05
1A-2465	Mannikin Coil Bracket-Rear	.35	2A-2308	Insulator Bushing	.80
1A-2477	Mannikin Coil Bracket-Front	.50	2A-2364	Solenoid Plunger	.60
1A-2479	Plexi-Glass Brk't.	1.50			

Part No.	Description	Price	Part No.	Description	Price
2A-2384	Flipper Button Bushing	.40	3A-6022-4	Switch Blade Lifter 1/8	.04
2A-2387-A	Pivot Screw	.16	3A-6022-5	Switch Blade Lifter 5/32	.04
2A-2476	Spring Stud	.10	3A-6022-6	Switch Blade Lifter 3/16	.04
2A-2525-A	Flipper Button	.50	3A-6022-7	Switch Blade Lifter 7/32	.04
2A-2527	Jet Bumper Solenoid Plunger	.55	3A-6022-8	Switch Blade Lifter 1/4	.04
2A-2559	Armature Pin	.20	3A-6022-9	Switch Blade Lifter 9/32	.04
2A-2572	Coin Reject Plunger	.20	3A-6022-10	Switch Blade Lifter 5/16	.04
2A-2574	Spacer	.15	3A-6022-11	Switch Blade Lifter 11/32	.04
2A-2577	Roller Stud	.20	3A-6022-12	Switch Blade Lifter 3/8	.04
2A-2578	Roller	.25	3A-6035	Jet Bumper Wafer-plastic stem	.22
2A-2587	Armature	.60	3A-6040	Jet Bumper Cap-sunburst edge, colored rim, white insert	.40
2A-2589-1	Wiper Bushing	.08	3A-6040	Jet Bumper Cap, sunburst edge, colored rim, white insert (let.)	.45
2A-2597-2	Ratchet Shaft (Resetting Type)	.50	3A-6056	Bumper Wafer Plastic Stem	.22
2A-2597-2A	Ratchet Shaft (Replay Unit)	.50	3A-6085	Drive Crank	.20
2A-2610-1	Ratchet Shaft (Non-Resetting Type)	.40	3A-6086	1 1/2 # Catalin Ball Specify Color	1.00
2A-2640	Target Arm Contact Point	.16	3A-6091	Target Plastic 1 1/8" dia	.20
2A-2642	Rifle Pivot Tube	5.00	3A-6091-A	Target Plastic 1" dia	.20
2A-2647	Pivot Shaft	.20	3A-7006	Switch Tubing for 'M' Relays (Specify Length)	.04
2A-2648	Yoke Hinge Pin	.16	3A-7007	Switch Tubing (Specify Length)	.04
2A-2652	Front Sight	.50	3A-7023	Acetate Cover (Service Call)	.04
2A-2657	Shoulder Screw	.18	3A-7024	Acetate Score Card Cover	.06
2A-2670	Relay Bank Reset Plunger	.70	3A-7030	Plexiglass Hood Ten Strike & Ten Pin	35.00
2A-2674	Reset Arm Post	.30	3A-7034-1	Plastic Lite Hood 1 1/2" (Double Apron) specify color	.16
2A-2676-1	10 Step Unit Solenoid Plunger	.60	3A-7035	Plastic Lite Hood 2 1/8" (Dbl. Apron)	.16
2A-2689	Lever Pivot Stud	.70	3A-7036	Plastic Lite Hood 2 1/8" (Sgl. Apron)	.18
2A-2710	Bowling Pin Base	.30	3A-7037	Plastic Lite Hood 1 1/2" (Sgl. Apron)	.18
2A-2711-1	Mannikin Arm-Shaft Bearing (Short)	.50	3A-7037	Plastic Lite Hood Single Apron Lettered	.24
2A-2711-2	Mannikin Arm-Shaft Bearing (Long)	.70	3A-7040	Plastic Pin (Ten Strike & Ten Pins)	.70
2A-2716	Bumper Spacer	.15	3A-7044	Plastic Bumper Cap (Disappearing Jet Bumper) Plain	.40
2A-2717	Spring Stud	.15		Lettered	.45
2A-2721	Stop Dog Stud	.20	3A-7050	Plexiglass Hood (Jumbo Ten Strike)	45.00
2A-2723	Stop Dog Pin	.20	3B-7062	Ball Ramp	1.20
2A-2725	Pitcher Unit Shaft	.60	3A-7065	Bushing-Kick Off Plunger	.30
2A-2731	Bat Handle Lever	2.50	3A-7066	Coil Sleeve	.20
2A-2741	Solenoid Tube Only (Brass)	.50	3A-7066-1	Coil Sleeve	.20
2A-2746	Spring Stud	.10	3A-7066-2	Coil Sleeve	.20
2A-2749	Track Spacer	.40	3A-7067	Coil Sleeve	.20
2A-2756	Gun Bolt Plug	.50	3A-7067-1	Coil Sleeve	.20
2A-2767	Drive Coil Plunger	.60	3A-7068	Coil Sleeve	.20
2A-2770	Reset Coil Plunger 50 Step Unit	.60	3C-7070	Cam & Ratchet Hub	.40
2A-2775	Turntable Driven Coupler	.75	3A-7081	Rail Insert (Plastic)	.06
2A-2776	Turntable Drive Coupler	.75	3A-7082	Plexiglass Window	4.75
2A-2811	Hinge Shoulder Stud	.18	3A-7086	Regular Bumper Body	.22
2A-2816	Track	1.00	3A-7087	Insulator Bushing	.30
2A-2818	Belt Coupler	1.20	5A6134-A	4 Clip Fuse Block	1.20
2A-2823	Steering Crank Collar	.45	5A-6134-C	1 Clip Fuse Block	.30
2A-2826	Steering Crank Collar	.40	5A-6183	Insulted Jumper Wire Specify Red or Black	.16
2A-2831	Commutator Bushing	.70	5A-6507	5 Amp Fuse	.06
3A-102	Plastic Bat	2.50	5A-6508	10 Amp Fuse	.05
3A-6000	Small Plastic Post	.10	5A-6509	20 Amp Fuse	.05
3A-6001	Large Plastic Post	.14	5A-6522-2	Solder Lug	.03
3A-6003	Large Rollover Guide	.08	5A-6567	15 Amp Fuse	.05
3A-6004	Medium Rollover Guide	.08	5A-6569	1 Amp Slo Blofuse	.30
3A-6005	Small Rollover Guide	.07	5A-7518	2 Amp Slo Blo Fuse	.28
3A-6007L	Plastic Flipper-large 'F' - spe. color	.20	5A-8591	Solder Lug	.03
3A-6007R	Plastic Flipper-small 'f' - spe. color	.20	5A-8663	3 Amp Slo Blo Fuse	.28
3A-6008	Jet Bumper Body	.22	6-A-14	Fishpaper Blade	.03
3A-6009A	Jet Bumper Base	.14	6-A-14-B	Fishpaper Blade	.04
3A-6013	Nylon Plunger	.10	7A-6679	1/8 x 1/2 Steel Rivet	.03
3A-6014	Nylon Flipper Bushing	.30	8A-7025-A	Leg Leveler	.30
3A-6015C	Eject Hole Shield	.12	8A-7025-B	Leg Leveler Nut	.06
3A-6016	Small Rollover Button	.10	8C-7031-L	Left Side Moulding	6.50
3A-6018	Sprocket	.50			
3A-6020	Bumper Cap (plain) (round)	.14			
3A-6020	Bumper Cap (lettered)	.18			
3A-6021A	Bumper Assembly-wafer with plastic stem, less rubber ring & socket	1.00			
3A-6022-2	Switch Blade Lifter 1/16	.04			
3A-6022-3	Switch Blade Lifter 3/32	.04			

Part No.	Description	Price	Part No.	Description	Price
8C-7031-R	Right Side Moulding	6.50	11C-141-1C	Covered Rail End (75" Pool Table)	7.10
8B-7032	Front Shelf Trim	1.40	11C-142-C	Covered Rail Right (90" Pool Table)	8.00
8B-7034	Glass Channel	1.50	11C-142-1C	Covered Rail Right (75" Pool Table)	7.10
8A-7114	Screened Display Glass (Road Racer)	23.00	11C-143-C	Covered Rail Left (90" Pool Table)	8.00
8A-7115	Mirror (Road Racer)	12.00	11C-143-1C	Covered Rail Left (75" Pool Table)	7.10
9A-7542	10c Duplex Coin Chute	18.00	12A-6223	Hair Pin Clip	.04
9A-8529	10c Slug Rejector	8.00	12A-6225	Hair Pin Clip	.04
9A-8551	5c Slug Rejector	8.00	12A-6226	Hair Pin Clip	.04
9A-8552	25c Slug Rejector	8.00	12A-6227	Hair Pin Clip	.04
9B-8561-2	10c Coin Entry Plate	.40	12A-6230	Key Hook	.10
9B-8561-3	5c Coin Entry Plate	.40	12A-6231	Tilt Bob Wire	.08
9B-8561-4	25c Coin Entry Plate	.40	12A-6232-B	Plum Bob Ring	.20
9A-8608	25c Coin Chute	12.00	12A-6267	Snap - On Cotter Key	.04
	All Foreign Slug Rejectors	12.00	12A-6285	Ball Trough R.O. Wire (Playfield)	.16
10A-1B	Drive Spring	.10	12A-6285-A	Ball Trough R.O. Wire (cab. trough)	.16
10A-2C	Torsion Spring	.40	12A-6285-B	Ball Trough R.O. Wire (cab. trough)	.16
10A-5	Cam Return Spring	.05	12A-6295	Roll Over Wire	.16
10A-7	Bumper Spring	.05	12A-6306	Ground Wire	.10
10A-9	Stop Dog Spring	.05	12A-6314	Steering Link	.32
10A-10	Relay Bank Reset Spring (over 8 coils)	.10	12A-6516	Speed Nut	.03
10A-14	Relay Flap Spring (Heavy)	.05	14A-6716	Motor (Horse Unit) Reversible	15.00
10A-15	Relay Flap Spring (Light)	.05	14A-6724-A	Motor Man Running Unit	12.00
10A-20	Lock Arm Spring	.06	14A-6734	Target Motor Safari-Polar Hunt	12.00
10A-38	Lift Spring	.05	14A-6736	Swing Target Motor	12.00
10A-53	Bat Handle Spring	.10	14A-6738-A	Score Motor	10.00
10A-55	Spring	.05	14A-6738-A-50	Score Motor 50 cycle	12.00
10A-55A	Spring	.05	14A-7704	Pitcher Motor 4 bagger	12.00
10A-63	Ball Guide Spring (Long)	.25	14A-7723	Score Motor	12.00
10A-63A	Ball Guide Spring (Short)	.15	14A-7724	Pin Reset Motor	12.00
10A-66	Relay Bank Reset Spring	.10	14A-7724	Ball Lift Motor	12.00
10A-93	Chain Connecting Spring	.05	14A-7726-A	Pitcher Unit Motor	12.00
10A-94	Friction Drive Spring	.07	14A-7731-A	Search Unit Motor	12.00
10A-96	Relay Armature Spring	.05	14A-7732-A	Score Motor (Ball Gun Games)	10.00
10A-101-1A	Drive Spring	.10	14A-7735-A	Disap. Bumper Motor	10.00
10A-101-2B	Torsion Spring	.40	14A-7735A-50	Disap. Bumper Motor - 50 Cycle	12.00
10A-101-2C	Torsion Spring	.40	14A-7736-A	Score Motor (Titan Gun)	10.00
10A-101-4	Reset Armature Spring	.05	14A-7737	Gear Motor Turntable	12.00
10A-101-5	Lock Arm Spring	.05	14A-7739-C	Pitcher Unit Motor (Off. Baseball)	12.00
10A-102	Index Pawl Spring	.06	14A-7740-50	Swinging Target Motor	7.00
10A-105	Kicker Spring	.10	14A-7741	Drum Unit Motor (Road Racer)	15.00
10A-120	Relay Armature Spring	.05	14A-10794	Timer Motor Used on Road Racer - Voice-O-Graph	7.00
10A-121	Shooter Coil Spring	.10	15A-6764-X1	Standard Transformer	12.00
10A-123-D	Drive Spring	.10	15B-6767-50	50 Cycle Transformer	18.00
10A-127	Flipper Spring (Right)	.50	15A-6768	Transformer (Bouncing Ball Gun Games)	14.00
10A-128	Kicker Spring	.06	20A-6179	Cord Retainer	.04
10A-134	Torsion Spring	.15	20A-6385	Plastic Shake Bottle	2.00
10A-135	Jet Bumper Spring	.06	20A-6403	Rubber Ball (7-set)	1.50
10A-136	Flipper Spring (Left)	.50	20A-6500	1-1/16 Steel Ball (Pin Games)	.60
10A-145	Spring	.10	20A-6502-A	Carbon Plumb Bob	.55
10A-147-1	Wiper Spring	.03	20A-6512	Electric Counter	4.50
10A-148-1	Ball Shooter Spring	.14	20A-6514	Tinnerman Speed Nut	.04
10A-149	Shooter Rod Spring, short	.16	20A-6516	Tinnerman Speed Nut	.03
10A-155	Contact Assembly Spring	.07	20A-6518	3/8" Steel Ball (B.B. Games)	.40
10A-156	Kicker Spring	.20	20A-6519	15/16 Steel Ball	.50
10A-162	Ball Lift Spring	.10	20A-6520	3/4" Steel Ball Off. B.B.)	.40
10A-164	Compression Spring	.10	20A-6529	Horse Chain	.50
10A-165	Ball Release Spring	.20	20A-6529-1	Drive Chain	.20
10A-167	Arm Return Spring (no drawing)	.20	20A-6542	Front Door Lock (2 Keys)	1.75
10A-171	Spring	.35	20A-6542-W	Cash Box Lock	1.75
10A-172	Pitcher Spring	.35	20A-6543	Back Door Lock (2 Keys)	1.75
10A-173	Compression Spring	.05	20A-6559	Thrust Bearing	.75
10A-174	Lift Arm Spring	.20	20A-7537	Billiard Chalk	.08
10A-175	Push Rod Spring	.15	20A-7538	48" Cue Stick (75" Pool Table)	4.00
10A-179	Armature Spring	.05	20A-7539	Chalk Holder	.15
10A-182	Torsion Spring (Official Baseball)	.35	20A-7540	Chalk Cord	.08
10A-183	Extension Spring	.05	20A-7550	Felt Washer (Horse Unit)	.06
10A-184	Bat Handle Spring	.10	20A-7551	Friction Washer (Leather) Horse U.	.06
11C-111	Turntable Disc, (Top)	4.50	20A-7569	57" Cue Stick (90" Pool Table)	7.30
11C-141-C	Covered Rail (90" Pool Table)	8.00			

Part No.	Description	Price	Part No.	Description	Price
20A-8525	Coin Switch & Wire	3.00	21A-119	Drum Motor Pulley	.80
20A-8590	Drive Pawl Stop	.35	21A-120	1½" Pulley 5/16 Hole	.60
20E-8597	Rifle Ass'y. (Complete)	86.50	22A-105	Indicator Dial	3.00
20E-8597-1	Rifle Stock	20.00	22A-105-1	Front Scenery	7.50
20E-8597-2	Rifle Barrel	17.50	22A-105-2	Left Side Scenery	7.50
20B-8597-3	Rifle Bolt	5.00	22A-105-3	Right Side Scenery	7.50
20A-8597-4	Rear Sight	1.50	23A-6300	5/16" Rubber Ring	.05
20A-8597-5	Butt Plate	1.50	23A-6301	¾" Rubber Ring	.06
20A-8603	Marker Button (Set-20 Blk. - 20-Wht.)	1.25	23A-6302	1" Rubber Ring	.07
20A-8605	1 - Set Peas (1 to 15)	1.20	23A-6303	1¼" Rubber Ring	.08
20B-8617-A	Slate Top 35¼" x 67½" (75" Pool Table)	82.00	23A-6304	1½" Rubber Ring	.08
20A-8617-B	Slate Top 43" x 83" (90" Pool Tbl.)	119.00	23A-6305	2" Rubber Ring	.10
20A-8618	2¼" Ball (1 to 15)	3.70	23A-6306	2-5/16" Rubber Ring	.14
20A-8618-C	2¾" White Cue Ball	4.00	23A-6307	2¾" Rubber Ring	.16
20A-8619	Triangular Ball Rack	3.00	23A-6308	3¾" Rubber Ring	.18
20A-8622	Coin Lockout Coil	1.50	23A-6309	3¾" Rubber Ring	.20
20A-8628	500 OHM 10 Watt Resistor	.35	23A-6310	5" Rubber Ring	.30
20A-8629	500 OHM 7 Watt Resistor	.35	23A-6311	5/16" Jumbo Rubber Ring	.05
20A-8640	Pinion Gear	3.00	23A-6312	Rubber Bumper	.15
20A-8643	Nylon Cord Only	.10	23A-6313	Rubber Bumper	.10
20A-8646	1¼" Steel Ball (Ten Strike)	1.50	23A-6314	Rubber Bumper	.03
20A-8650-10	Taper Pin for Pinion Gear	.04	23A-6316	Large Rebound Rubber	.30
20A-8650-12	Taper Pin for Solenoid Crank Ass'y	.04	23A-6319	Rubber Grommet	.03
20A-8650-20	Taper Pin Arm & Gear Assy.	.05	23A-6322	Arch Rubber	Ft. .20
20A-8652	Rheostat (10 Strike & 10 Pins)	6.24	23A-6323	Bat Sleeve	.25
20A-8664	Rheostate	6.24	23A-6327	Shooter Tip	.08
20A-8673	Horse Assy. (Turf Champ)	2.00	23A-6332	Dead Rubber Ring for Plastic Bump.	.07
20B-8689-1	Ball Ramp (Metal)	.50	23A-6350	Idle Wheel	2.00
20A-8702	Curve Magnet Coil	3.50	23A-6359	Live Rubber Ring for Plastic Bump.	.07
20C-8709	Tubular Leg	5.50	23A-6372	Rubber Bumper	.10
20A-8712-15	E - Ring	.02	23A-6406	Rubber Grommet	.03
20A-8712-18	E - Ring	.03	23A-6408	Rubber Bumper	.06
20A-8712-21	E Retaining Ring	.03	23B-6411	Rubber Corner Pocket	2.00
20A-8712-25	Tru-Arc Retaining Ring	.04	23B-6412	Rubber Side Pocket	2.00
20A-8712-37	E Retaining Ring	.05	23B-6413	Gully Boot (Rubber)	2.40
20A-8713-25	C Ring Fastener	.08	23A-6414	Rubber Grommet	.03
20A-8713-31	Tru-Arc Ring	.05	24A-6404	Playfield Socket Long Stand-up)	.10
20A-8713-37	C Ring Fastener	.06	24A-6405	Socket 10 Step Unit	.10
20A-8713-75	C Ring Fastener	.12	24A-6409-A	Insert Light Socket	.10
20A-8715-36	Washer	.02	24A-6416	Bumper Socket	.10
20A-8715-71	Flat Washer	.02	24A-6431	Light Socket 115V	.30
20A-8716-6	Roll Pin	.02	24A-6436	Playfield Socket	.10
20A-8718-1	C Ring	.05	24A-6437	2 Prong Wafer Socket	.15
20B-8719	Glass Channel	1.50	24A-6549	#44 Bulb	.12
20A-8720	Cash Box	.68	24A-6550	#55 Bulb	.12
20A-8721	Rail Cloth 5" x 41"	1.50	24A-6551	#63 Bulb	.20
20A-8721-1	Rail Cloth 5" x 34¼"	1.30	24A-6552	#40 Bulb	.12
20A-8722	Drawer Lock	1.75	24A-6582	Playfield Socket (Short Stand Up)	.12
20A-8723	Slate Cloth 47" x 87"	31.00	24A-6583	25 W 115V Std. White	.70
20A-8723-1	Slate Cloth 39" x 71¼"	26.00	24A-6584	100 W 115V Red Bulb	1.40
20A-8725	½" x 45" Leather Belt	2.20	24A-6585	15W 115V White Bulb	.80
20A-8726	¼" Dia. Leather Belt 42"	5.20	24A-8667	2 Prong Ligh Bulb (Dis.) (Bumper)	.20
20A-8728-R	Automobile	1.20	A-25-950	Drive Coil	1.60
20D-8729-R	Steering Wheel	14.00	A-26-1100	Drive Coil	1.95
20A-8731	Ball Race	1.70	A-26-1350	Coil	1.95
20A-8732	Nut Retainer	.10	A-27-1650	Eject Coil	1.95
20A-8734	Coin Switch Wire	.15	A-30-2700	Ball Release Coil	2.10
20A-8735	Coin Wire Retainer	.04	A1-26-1100	Ball Shooter Coil	1.95
21C-102	Trigger Housing Assembly	15.00	A2-26-1100	Coil	1.95
21B-103	Gun Mounting Flange	9.00	A2-26-1350	Bell Coil	1.95
21B-104	Ball Type Pivot Joint	7.00	A3-25-950	Target Hole Coil (Guns)	1.95
21A-105	Trigger	.50	AS-20-900	Mannikin Coil	2.50
21A-112	Pitcher Figurine	.80	B-29-1600	Reset Coil	1.70
21A-113	Umpire Figurine	.80	C-28-1100	Knocker Coil (Old Type)	1.70
21A-114	Catcher Figurine	.60	D-22-1150	Relay Bank Reset Coil	2.20
21A-115	Fielder Figurine	.60	D-24-1150	Relay Bank Reset Coil	2.20
21A-118	4" Pulley - 5/8 Hole	1.60	D-24-1400	Relay Bank Reset Coil	2.20
21A-118-1	4" Pulley - 3/8 Hole	1.60	D-24-1600	Relay Bank Reset Coil	2.20
			DU-26-1350	Coil	1.95
			E-32-1800	"E" Relay Coil	1.60

Part No.	Description	Price	Part No.	Description	Price
E-33-2500	"E" Relay Coil	1.60	A-4761	Knocker Assembly (Old Type)	4.50
FL-25-31	Flipper Coil	2.20	D-4762	100 Step Unit Frame	5.00
G-25-1100	Coil	1.95	C-4775	Ball Track Assembly	8.00
G-26-1400	Kicker Coil	1.95	A-4779	Cardboard Catcher Assembly (Diamond Panel)	.47
G1-25-1100	Disappearing Bumper Coil	1.95	A-4779-A	Cardboard Umpire Assembly (Diamond Panel)	.47
GK-23-1600	Kicker Coil	2.50	A-4779-B	Cardboard Batter Assembly (Diamond Panel)	.47
H-22-700	Bat Coil (Official Baseball)	2.20	A-4779C	Cardboard Pitcher Assembly (Diamond Panel)	.47
H-24-1150	Bat Coil	2.20	A-4779-D	Cardboard 1st Baseman Assy. (Diamond Panel)	.47
IT-29-1000	Latch Relay Coil	1.60	A-4779-E	Cardboard 2nd Baseman Assy. (Diamond Panel)	.47
IT-30-1500	Latch Relay Coil	1.60	A-4779-F	Cardboard Shortstop Assembly (Diamond Panel)	.47
IT-32-2100	Latch Relay Coil	1.60	A-4779-G	Cardboard 3rd Baseman Assy. (Diamond Panel)	.47
IT-35-4200	Latch Relay Coil	1.80	A-4783	Jet Bumper Switch Assy.	1.10
M-28-600	'M' Relay Coil	1.60	A-4786-1	Hole Cover Assy.	.55
M-31-1700	'M' Relay Coil	1.60	A-4786-2	Hole Cover Assy.	.55
M-32-1800	'M' Relay Coil	1.60	A-4786-3	Hole Cover Assy.	.55
M-33-2800	'M' Relay Coil	1.80	A-4786-4	Hole Cover Assy.	.55
M-34-3100	'M' Relay Coil	1.80	A-4786-5	Hole Cover Assy.	.55
M-36-5500	'M' Relay Coil	1.80	A-4794	Leg Hinge Assembly	.60
X-28-800	Relay Bank Coil	.80	D-4798	100 Step Unit Complete	25.00
X-30-1000	Relay Bank Coil	.80	A-4799	Tilt Switch Assy.	.88
Y-31-1300	Brake Relay Coil	1.60	A-4817	Ball Gate Assembly	.65
Z-30-1800	Relay Coil	1.70	A-4834	Stand Up Switch Assy.	.55
Z-31-2300	Relay Coil	1.70	C-4886	Contact Plate Disc. Assy.	10.00
Z-35-4200	Relay Coil	1.80	A-4932	Coil Stop	.50
Z-35-5500	Relay Coil	1.80	A-4938	Latch Relay Assy.	6.50
A-4011	Brass Flap Assembly	.56	A-4939	Latch Relay Bracket Assy.	.50
A-4269	Ball Lift Arm Assembly (Old Style)	1.60	A-4940	Latch Relay Armature Assy.	.60
A-4327	Armature Assembly	.66	A-4954-A	Release Arm Assy.	1.05
A-4389	Coil Stop Assembly	.60	A-4959	Ball Release Plunger Assy.	.70
A-4472	Horse Carriage Bracket Assembly	1.10	A-4962	Flipper Pawl Assy.	.56
A-4488	Brake Arm Assembly	.60	A-4984-1	Driven Arm Assembly	1.80
A-4501	Contact Finger Assy. (Large)	2.25	A-5003-1	Contact Disc. Assy.	.85
A-4608	Cam Follower	.20	A-5041	Cam Follower	.15
A-4608-A	Cam Follower	.25	A-5041-A	Cam Follower	.15
A-4608-B	Cam Follower	.25	A-5041-B	Cam Follower	.15
A-4673	Man Running Disc. Assembly	1.30	A-5045	Contact Finger Assembly	1.60
B-4674	Man Running Arm Assembly	3.00	A-5052	Bumper Bracket Assy.	.60
A-4677	Step Up Arm Assembly	1.30	B-5053	Jet Bumper Assy.	6.50
A-4678	Base Runner Assembly	.60	A-5069	Flipper Button Assy. New Style	1.10
A-4679	Indexing Pawl Assembly	.60	A-5072	Plunger Assy.	.80
A-4680	Stop Dog Assembly	1.20	B-5073	Ball Release Assy.	6.00
A-4681	Stop Dog Assembly	1.20	A-5082-A	Bracket & Stop Assy.	1.00
A-4682	Stop Dog Assembly	1.20	A-5103	Plunger Assy.	.80
B-4683-A	Main Frame Assembly	2.00	B-5104	Kicker Assy.	5.00
A-4689	Driven Arm Assembly (Specify Name of Game)	.80	B-5149	Actuating Arm Assy.	1.25
A-4690	Drive Arm Assembly	.75	B-5150	Slug Rejector Frame Assy.	3.00
A-4691	Bat & Shaft Assembly	1.60	B-5151	Slug Rejector Mounting Assy.	10.00
A-4722	Contact Finger Assembly	.40	A-5154	Armature Flap Assy.	.20
A-4722-A	Contact Finger Assembly (Left Arm Cut Off)	.40	A-5155	Coin Switch-Bracket & Wire Assy.	4.50
A-4722-B	Contact Finger Assembly (Right Arm Cut Off)	.40	C-5161	Batter Unit Assy.	15.00
A-4703	Index Pawl Assembly	.30	C-5161-1	Batter Unit Assy.	15.00
A-4705	Cam Follower	.15	C-5161-2	Batter Unit Assy.	15.00
A-4708	Coil Stop Assembly	.45	C-5161-3	Batter Unit Assy.	15.00
A-4708-B	Coil Stop Assembly (Brass)	.75	B-5163	Flipper & Coil Assembly	5.00
A-4723	Flipper Assembly	.55	A-5222	Shooter Rod Mounting Plate Assy.	.90
B-4724	Roll Tilt Assembly	2.80	A-5229	Shooter Coil Armature Assy.	.80
B-4729	Carbon Plumb Bob Assembly	.94	A-5230	Shooter Coil Assy.	3.50
A-4735	Stationary Target Assembly	1.35	B-5232	Mounting Plate Assy.	1.90
A-4741	Rebound Assembly	.55	A-5233-A	Arch Hole Liner	1.00
A-4744	Bumper Switch Blade	.26	B-5247	Ball Shooter Assy.	4.00
A-4744-1	Target Switch Blade	.26	B-5248	M Type Armature Assy.	.50
A-4744-2	R.O. Button Switch Blade	.26	B-5249	Relay Frame Assy.	.60
A-4744-3	R.O. Button Switch Blade	.26			
A-4754	Jet Bumper Ring Assembly	.66			
B-4756	Ball Eject Assembly	5.00			
B-4759	Ball Eject Assembly	5.00			
A-4760	Knocker Mounting Assy. (Old Type)	.80			

Part No.	Description	Price	Part No.	Description	Price
B-5250	M Relay Assy.	2.75	A-5536-A	Drive Arm and Pawl Assembly	1.75
B-5257	Ball Lift Assy.	5.00	A-5536-B	Drive Arm and Pawl Assembly	1.75
A-5264	Shooter Rod & Knob Assy.	1.80	A-5536-C	Drive Arm and Pawl Assembly	1.70
A-5270	Rod & Knob Assembly	.95	A-5536-D	Drive Arm and Pawl Assembly	1.75
A-5274	Coil Bracket Assembly	.60	A-5558	Solenoid Crank Assembly	.60
A-5285	Relay Frame Assembly	.70	E-5560	Bowler Mannikin Assy. (Complete)	20.00
A-5324	Bumper Switch Assembly	.60	A-5564	Shaft and Gear Assembly	5.00
A-5325	Tilt Switch Assembly	.88	A-5565	Mannikin Arm and Gear Assy.	5.00
B-5370-1	Bushing & Lug Assy. (Used on Space Glider, Vanguard, Hercules, Crusader & Titan)	.75	E-5570	Pitcher Unit Assy. (Off. Baseball)	40.00
B-5370-2	Bushing & Lug Assembly (Used on Crossfire)	1.00	A-5571	Armature and Link Assembly	1.10
B-5370-3	Bushing & Lug Assembly (Used on Safari)	1.25	A-5574	Adjustment Clip	.30
B-5370-5	Bushing & Lug Assembly (Used on Polar Hunt)	1.75	B-5579	New Knocker Assembly	4.50
B-5371-1	Yoke & Channel Assy. Complete (Bouncing Ball Gun Games)	5.95	A-5581	Drive Crank Assembly	.90
B-5371-2	Yoke & Channel Assy. Complete (Crossfire)	6.20	A-5583	Drive Pawl Assembly	.30
B-5371-3	Yoke & Channel Assy. Complete (Safari)	6.45	A-5585	Directional Handle Assy. (left side)	3.00
B-5371-4	Yoke & Channel Assy. Complete (Polar Hunt)	6.95	A-5587	Cam Assembly	1.00
A-5372	Yoke Assembly	4.75	A-5588	Bumper Roller Assembly	1.50
A-5379	Bracket & Plate Assembly	1.00	A-5589	Cam Link Assembly	1.00
C-5384	Trigger Housing & Tube Assy.	45.00	E-5590	Disappearing Jet Bumper	25.00
A-5385	Single Motor Cam Assembly	.90	A-5591	Cam Lock Arm Assembly	.60
A-5387	Bell Solenoid Plunger	.66	A-5591-1	Cam Lock Arm Assembly	.60
B-5391	Bell & Bracket Assembly	1.40	C-5592	Cash Box Cover	1.50
B-5392	3 3/8" Bell Assembly	4.50	B-5593-A-1	Mounting Plate with Disc Mounting Posts	5.00
B-5393	Coil & Bracket Assembly	3.00	B-5593-A-3	10 Step Unit Mounting Plate	4.80
A-5396	Armature Assembly	1.00	D-5604	Pitcher Plate Assembly	3.50
A-5397	Coil Stop Assembly	1.00	A-5606-1	Switch Activator Assembly	.90
A-5413	Escutcheon Plate Assembly	.50	A-5608	Coil Mounting Bracket Assembly	1.20
A-5414	Throttle Arm Assembly	12.50	A-5609	Drive Bar Assembly	1.00
E-5420	Man Running Unit Assy. Complete (Specify Game)	30.00	A-5610	Motor Cam Assembly (Double)	1.30
E-5420-A	Man Running Unit Assy. Complete Mounted on Diamond Panel - Specify Game	44.00	B-5611	Index Cam Assembly	1.20
D-5421	Man Run. Unit Main Frame Assy.	7.00	B-5612	Pitcher Arm Assembly	1.80
A-5422	Man Running Base Switch Assy.	.70	E-5613	Pitcher Unit Assy. (Complete)	40.00
A-5422-1	Man Running Run Switch Assy.	.70	B-5614-A-3	Armature Assembly (3-Slot)	.60
B-5423	Bracket Mounting Assembly	.60	B-5614-A-4	Armature Assembly (4-Slot)	.60
D-5431	Bat Handle Assy. Comp. (1957 B.B.)	15.00	B-5614-A-5	Armature Assembly (5-Slot)	.60
A-5489	Coin Return Receptacle	.60	B-5614-A-6	Armature Assembly (6-Slot)	.60
C-5490-1	Metal Door (Single Chute)	4.50	A-5620	Brake Mounting Bracket	1.00
C-5490-2	Metal Door (Twin Chute)	4.75	A-5621	Brake Lever Assembly	1.20
A-5491	Drive Pawl Assembly	.50	A-5624	Brake Assembly	1.20
B-5492-1	Drive Arm Assembly	1.25	B-5625	Bat Handle Lever Assembly	6.00
B-5492-3	Drive Arm Assembly	1.30	A-5627	Motor Stop Dog	.55
A-5493	Rear Leg Hinge Assembly	.30	A-5628-1	Cam Return Stop Assembly	.90
A-5494-1	Crank Arm Assembly	.80	C-5632	Bottom Arch	6.00
B-5495	Reset Arm Assembly (Specify Number of Relays)	.80	C-5632-A	Bottom Arch	6.00
B-5496	Coin Slide (Old Style)	1.00	C-5634	Base Plate Assembly	1.80
B-5499	Coil Mounting Assembly	1.00	A-5636	Ball Lift Plate Assembly	1.25
A-5501	Plunger Assembly	.90	B-5637	Contact Disc Assembly	2.50
A-5505	Drive Pawl Assembly	.50	A-5638	Contact Finger Assy	1.45
C-5507	Relay Bank Assembly (Write for Price)	.50	B-5645	"Z" Relay Assembly	2.95
A-5520	Drive Pawl Assembly	.50	A-5652	Kicker Crank Assy	1.00
A-5523	Drive Arm Assembly	1.20	A-5653	Kicker Mounting Bracket Assy	.50
A-5524	Lock Arm Assembly	.40	A-5654-1	Ball Eject Cam Assy	1.00
A-5525	Reset Arm Assembly	1.50	A-5654-4	Ball Eject Cam Assy	1.00
A-5526	Lock Arm Assembly	.40	A-5661	Push Rod Assy.	.80
B-5532	Mounting Plate Assembly	1.00	A-5662	Pusher End Assy	.65
A-5535	Drive Arm and Pawl Assembly	1.70	B-5663	Ball Lift Pusher Assy.	2.40
			A-5664	Push Rod Guide Assy.	.75
			A-5668	Brake Relay	4.00
			A-5668-1	Armature Flap Assembly	.50
			C-5669	Cash Box	4.00
			A-5671-A	Brake Relay Assy.	5.00
			A-5671-B	Brake Relay Assy.	5.15
			A-5675	Target Hole-Ball Kicker Assy.	3.20
			A-5675-1	Ball Kicker Extension Armature	.60
			C-5676	Ball Lift Assy.	3.50
			B-5678	Collector Assy (Compl)	3.50
			B-5678-1	Collector Ring #1	.22
			B-5678-2	Collector Ring #2	.22
			B-5678-3	Collector Ring #3	.22

Part No.	Description	Price	Part No.	Description	Price
B-5678-4	Collector Ring #4	.22	A-5783	Horse Assembly (Specify Number on Horse)	.75
B-5678-5	Collector Ring #5	.22	B-5798	Motor Cam Assy. (Single)	.90
C-5679	Scanning Wiper & Collector Assy.	7.50	B-5823	Scan Unit Contact Disc. - Crusader	8.00
B-5679-1	Scanning Wiper & Blades Only	3.00	B-5823-1	Scan Unit Contact Disc. - Vanguard	8.00
C-5694	50 Step Unit (Resetting)	20.00	B-5823-2	Scan Unit Contact Disc. - Hercules	8.00
A-5703	Ball Flap Assy.	1.00	B-5823-3	Scan Unit Contact Disc. - Titan	8.00
B-5707	Ball Track Plate Assembly	3.00	B-5823-4	Scan Unit Cont. Disc. - Space Glider	8.00
A-5709	Ball Track Plate Assembly	3.00	A-5826	Swinging Target Bracket Assy.	1.40
A-5718	Curve Magnet Coil Brk't.	1.50	A-5829	Swinging Arm	.60
A-5719	Ball Release Lever Assy.	1.00	D-5835-1	Front Moulding Assembly	9.50
A-5723	Ball Flap Assy. (Pinch Hitter)	1.00	D-5835	Front Moulding Assembly	9.50
A-5725	Pin Assy. (Complete)	1.10	B-5839	Swinging Target Assembly	9.50
C-5726	Step Unit (Complete)	20.00	A-5842	Ball Release Assembly	3.20
C-5726-A	Ten Step Unit	20.00	A-5843	Pivot Arm Assembly (Ball Release)	.95
A-5727	Kicker Coil Assy. (Complete)	4.00	A-5844	Roll-Over Wire Assembly	.18
A-5729	Ratchet Gear Assy. (Non Resetting Type)	1.15	A-5844-1	Roll-Over Wire Assembly	.18
A-5729-A	Ratchet Gear Assy. (Resetting Type)	1.25	A-5844-2	Roll-Over Wire Assembly	.22
A-5729-B	Ratchet Gear Assy. (Replay Unit)	1.35	A-5844-3	Roll-Over Wire Assembly	.22
B-5730	100 Tooth Ratchet Gear Assy.	1.60	A-5844-4	Roll-Over Wire Assembly	.28
B-5732	100,000 Snowshoe Wiper Assy.	1.40	A-5844-5	Roll-Over Wire Assembly	.25
B-5733	10,000 Unit Wiper Assy.	1.20	A-5844-6	Roll-Over Wire Assembly	.28
A-5734-1000	E Relay Armature (1 Make)	.80	A-5844-7	Roll-Over Wire Assembly	.25
A-5734-1100	E Relay Armature (2 Make)	1.00	C-5845	Ball Gate	12.00
A-5734-1110	E Relay Armature (3 Make)	1.55	B-5848	Connecting Link (Ball Release)	1.10
A-5734-1111	E Relay Armature (4 Make)	1.65	A-5853	Reset Pivot Bracket (Ball Release)	1.35
A-5734-1112	E Relay Armature (3 make - 1 break)	1.65	B-5856	Mounting Frame	4.20
A-5734-1120	E Relay Armature (2 make - 1 break)	1.55	A-5859	Reset Arm Assembly	.60
A-5734-1122	E Relay Armature (2 make - 2 break)	1.65	A-5859-A	Reset Arm Assembly	.60
A-5734-1200	E Relay Armature (1 make - 1 break)	1.45	A-5860	Escape Lever Assembly	.60
A-5734-1300	"E" Relay Armature (1 Make-1 Make-Break)	1.45	B-5863	Replay Disc Assembly	2.75
A-5734-1312	"E" Relay Armature (2 Make - 1 Make Break-1 Break)	1.85	C-5866	Replay Unit Assembly	20.50
A-5734-1320	"E" Relay Armature (1 Make - 1 Make-Break-1 Break)	1.55	A-5871	E Relay Lower Make Blade & Point	.22
A-5734-2000	"E" Relay Armature (1 Break)	.80	A-5871-1	E Relay Lower Break Blade & Point	.22
A-5734-2200	"E" Relay Armature (2 Break)	1.00	A-5871-2	E Relay Upper Make Blade & Point	.22
A-5734-2220	"E" Relay Armature (3 Break)	1.55	A-5871-3	E Relay Upper Break Blade & Point	.22
A-5734-2222	"E" Relay Armature (4 Break)	1.65	B-5872-1	Slate w/Cloth Cover (75" Pool Tbl.)	110.00
A-5734-2300	"E" Relay Armature (1 Break - 1 Make - Break)	1.45	C-5872-2	Slate w/Cloth Cover (90" Pool Tbl.)	150.00
A-5734-3000	"E" Relay Armature (1 Make-Break)	1.30	B-5882	Ball Separator 90"	7.50
A-5734-3111	"E" Relay Armature (3 Make-1 Make - Break)	1.65	B-5883	Ball Separator 75"	7.00
A-5734-3300	"E" Relay Armature (2 Make-Break)	1.55	B-5901	Snowshoe Wiper Assy. less Blade & Springs (Specify Game & Unit)	2.30
A-5734-3330	"E" Relay Armature (3 Make-Break)	1.95	B-5902	Snowshoe Wiper Assy. less Blade Wipers & Springs (Specify Game & Unit)	2.30
C-5735	"E" Relay Assy. Less Switches	3.00	B-5903	Snowshoe Wiper Assy. less Wiper Blades & Springs (Specify Game & Unit)	2.40
C-5745	50 Pos Step Up Unit Rigid Mt.	20.00	B-5905	Snowshoe Wiper Assy. less Wiper Blades & Springs (Specify Game & Unit)	2.20
A-5748	Turntable Drive Plate Assy.	.70	B-5906	Snowshoe Wiper Assy. less Wiper Blades & Springs (Specify Game & Unit)	2.55
A-5751	Turntable Roller Assy. (Locating)	.60	B-5907	Snowshoe Wiper Assy. less Wiper Blades & Springs (Specify Game & Unit)	2.45
A-5752	Turntable Roller Assembly	.70	B-5911	Mounting Plate	4.50
A-5754	Drive Shaft Assembly	.80	A-5912	Idler Arm Assembly	1.30
B-5759	Mounting Bracket & Brush Assy.	3.00	A-5913	Carriage Assembly	3.20
B-5759-1	Mounting Bracket & Brush Assy.	3.20	A-5914	Crank Assembly	1.00
B-5760-3	Collector Ring Assembly	.32	A-5915	Steering Crank Assembly	.50
B-5761	Commutator Assembly	15.80	A-5916	Hub Cover Assembly	3.50
A-5763	Pitcher - Arm Assembly	1.50	B-5917	Steering Wheel Assembly	32.50
A-5764	Index Cam Assembly	1.00	A-5919	Drum (Roadracer)	56.00
A-5766	Arm Elevator Assembly	1.50	A-5920	Commutator Assembly	2.50
A-5767	Ball Lockout Gate Assy.	1.20	A-5921	Timer Motor Bracket	.75
E-5771	Turntable Assy - Complete	75.00	A-5922	Motor Plate	.60
B-5773	Ball Tube Assembly	2.25			
A-5775	Coin Guide Assembly	1.00			
E-5777	Horse Unit Assembly	110.00			
B-5778	Knocker Mounting Assy.	.80			
B-5779	Knocker Assembly	4.50			

Part No.	Description	Price
A-5923	Motor Mount	.80
A-5924	Commutator Brush Assembly	.45
A-5925	Timer Motor Cam	.90
A-5926	Drum-End	7.00
A-5927	Carriage Bracket Sub Assy	1.00
A-5929	Sound Box	3.50
A-5930	Bearing Holder Assembly	10.00
A-5932	Pointer Assembly	.30
A-5933-1	Car Contact Assy. (Small Point)	.20
A-5933-2	Car Contact Assy. (Medium Point)	.20
A-5933-3	Car Contact Assy. (Large Point)	.20
A-5934	Steering Shaft Sub Assy.	1.75
D-5935	Steering Mechanism	30.00
C-5936	Carriage Bracket Assembly	5.95
A-5937	Cash Box (Roadracer)	1.50
A-5938	Cash Box Cover (Roadracer)	.85
A-5939	Thumb Screw & Bracket Assy.	1.00
A-5940	Thumb Screw Assembly	.60
A-5941	Thumb Screw Latch Assy	.35
B-5942	Drum Motor Unit Assembly	17.50
B-5943	Timer Motor Unit Assembly	10.50
B-5945	Front Moulding Assembly (Shelf Type Cabinet)	6.50
A-5946	Gear and Shaft Assembly (Non Resetting Type)	1.60
A-5947	Gear and Shaft Assembly (Resetting Type)	1.80
A-5948	Gear & Shaft Assy. (Replay Unit)	1.80
A-5949	Gear & Shaft Assy. (100 Step Unit)	2.15
A-5950	100,000 Wiper Plate and Bushing	1.20
A-5951	10,000 Wiper Plate and Bushing	1.00
A-5952	Blade Assembly	.10
SW-1A	Ball Trough (Playfield Bottom)	.44
SW-1A-1	Shake Tilt	.60
SW-1A-2	Lane Roll-over (Single)	.44
SW-1A-3	Flipper Button	.55
SW-1A-5	Flipper	.44
SW-1A-6	Ball Trough (Cabinet)	.44
SW-1A-20	Roll Tilt	.20
SW-1A-22A-2	Double Break Sw. Horse Unit	.75
SW-1A-25	Make Switch Horse Unit	.60
SW-1A-27	Eject Hole	.45
SW-1A-34	Trigger Switch	.50
SW-1A-45	Roll-Over Button (Make)	.50
SW-1C	Motor Switch	.55
SW-2A-3	Kick-Off	.45
SW-2A-5	Break Switch Horse Unit	.60
SW-2U-8	Disappearing Bumper (Motor)	.45
SW-3U-3	Cam Switch	.50
SW-10A-5	Single Outhole	.44
SW-10A-6	Bat Handle Switch	.55
SW-10A-7	Anti-Cheat (Door)	.65
SW-10A-9	Bat Unit Switch	.50
SW-10A-11	Swinging Target Switch	.55
SW-10C-2	Bat Lever Switch	.55
SW-11A-2	Lane Roll-over (Double)	.50
SW-11A-8	Switch (Horses #1 to 5) Brake Re.	.44
SW-11A-9	Switch (Horse #6) Brake Re.	.44
SW-11A-10	Kicker	.50
SW-11C	Pitcher Cam Switch	.60
SW-12A-3	Disappearing Bumper	.85
SW-13U-1	Switch	.60
SW-20A	Roll-over Button (Break)	.50
SW-30C	Motor Switch	.60
SW-221-U-1	Switch	.60