

PARTS CATALOG AND PRICE LIST

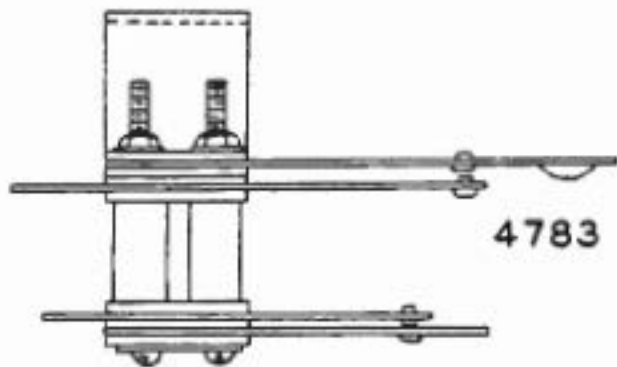


CREATORS OF DEPENDABLE PLAY APPEAL!

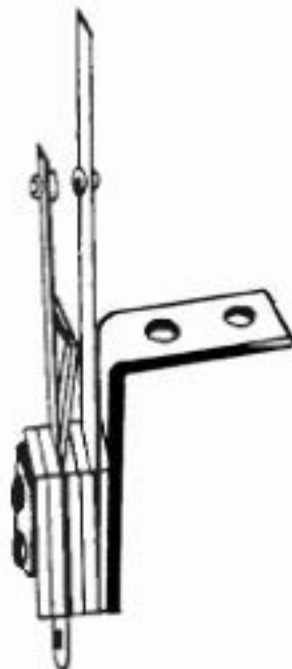
Williams

4242 WEST FILLMORE ST.
CHICAGO 24, ILLINOIS

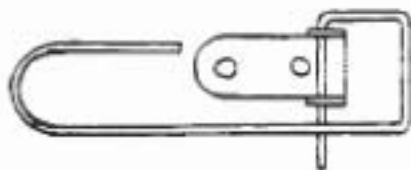
CABLE ADDRESS WILCOIN



4783 THUMPER BUMPER SWITCH
ASSEMBLY .68



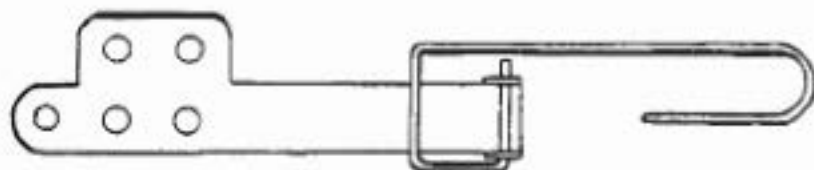
4834 STAND UP SWITCH
ASSEMBLY .60



497 ROLLOVER WIRE BRACKET
.12

6277 ROLLOVER HOLE WIRE
.12

Important: ALWAYS MENTION NAME OF GAME, UNIT, PART NUMBER, AND DESCRIPTION



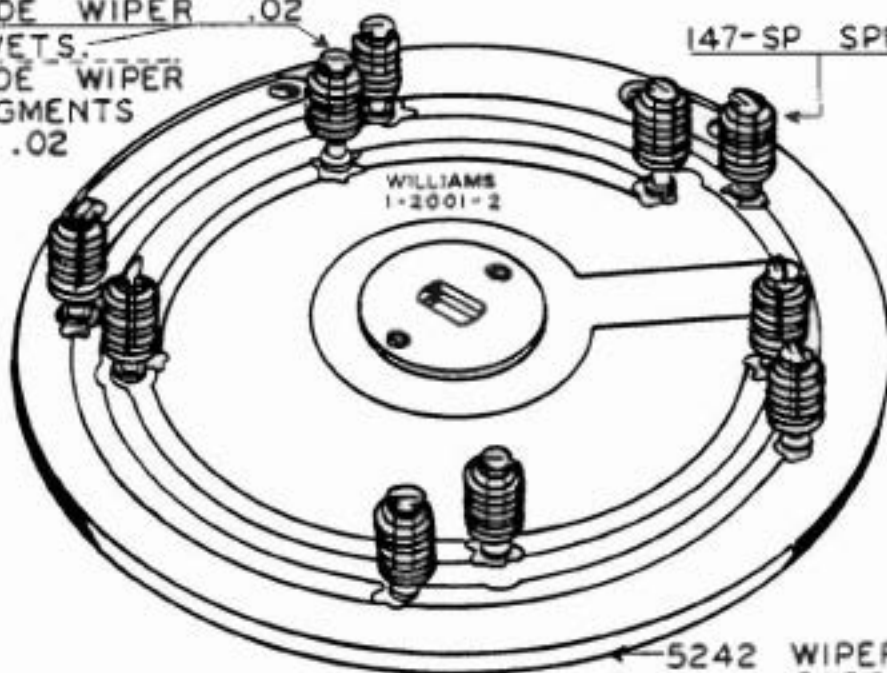
60	ROLLOVER	WIRE	BRACKET	.16
6215	ROLLOVER	WIRE		.08



1467-A	ESCUTCHEON	PLATE - CHROME	.60
1467-B	ESCUTCHEON	PLATE - ENAMEL	.60

1-2000 BLADE WIPER .02
 USE ON RIVETS.
 1-2098 BLADE WIPER
 USE ON SEGMENTS
 ONLY .02

147-SP SPRING .03



5242 WIPER
 CARRIER

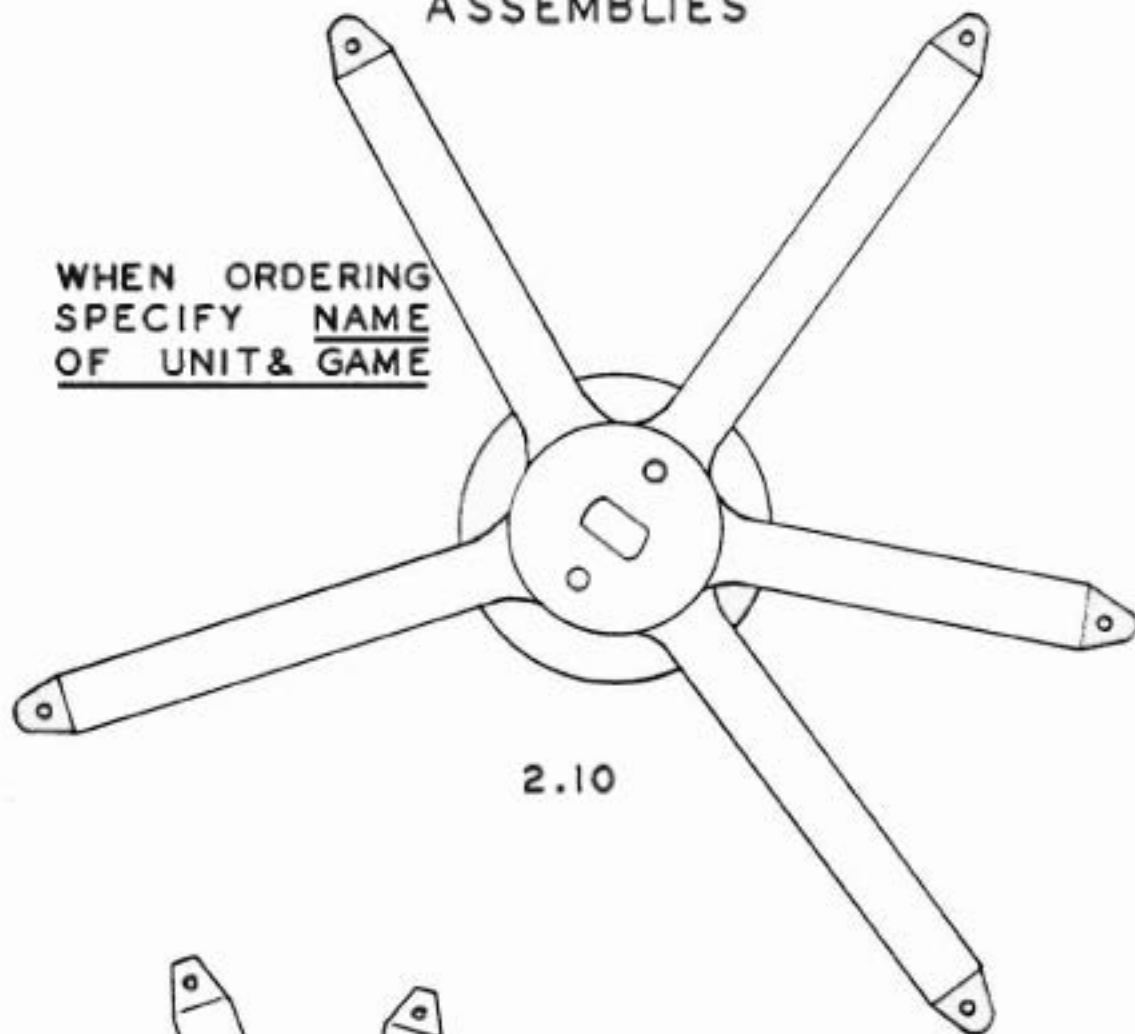
SNOWSHOE WIPER ASSEMBLY
 WHEN ORDERING, SPECIFY NAME
OF GAME & UNIT

WRITE FOR
 PRICES

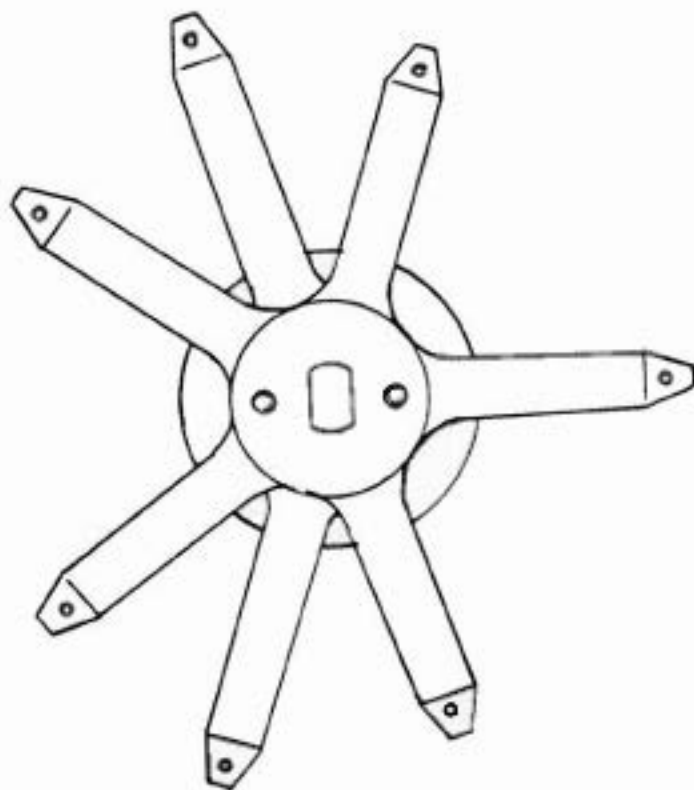
Important: ALWAYS MENTION NAME OF GAME, UNIT, PART NUMBER, AND DESCRIPTION

LARGE & SMALL CONTACT FINGER ASSEMBLIES

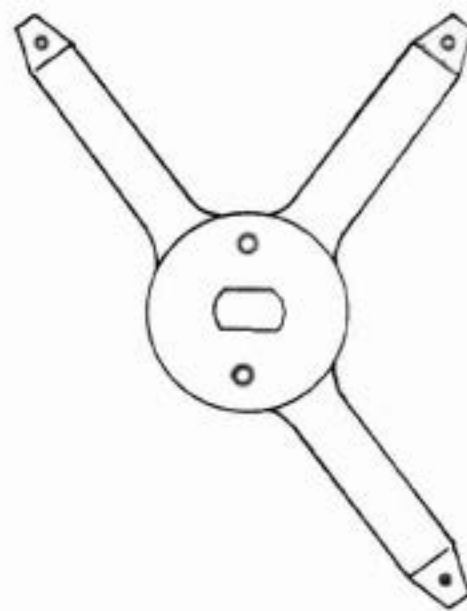
WHEN ORDERING
SPECIFY NAME
OF UNIT & GAME



2.10



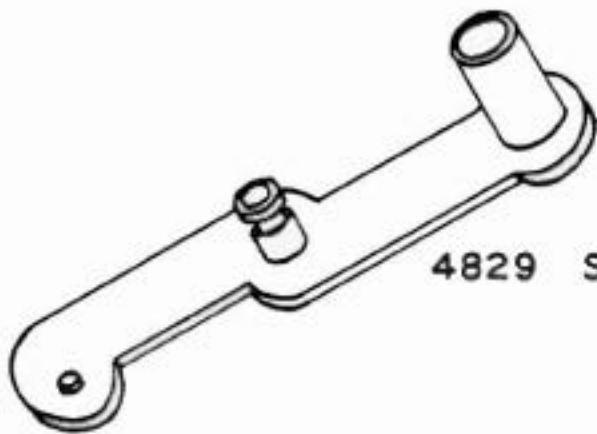
1.40



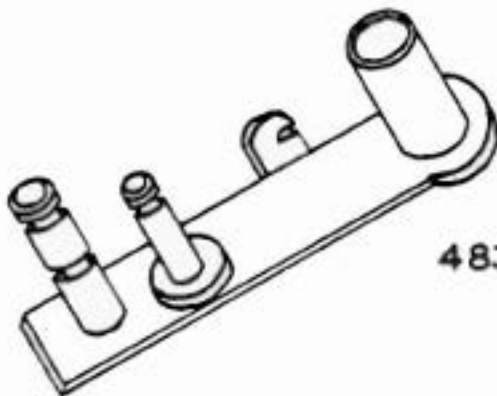
1.20

Important: ALWAYS MENTION NAME OF GAME, UNIT, PART NUMBER, AND DESCRIPTION

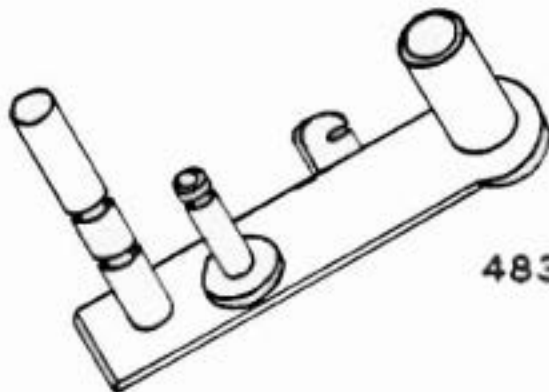
PARTS FOR
0-999 REPLAY UNIT



4829 STOP ARM ASSEMBLY
.88



4830 DRIVE PAWL ARM ASS'Y.
1.10

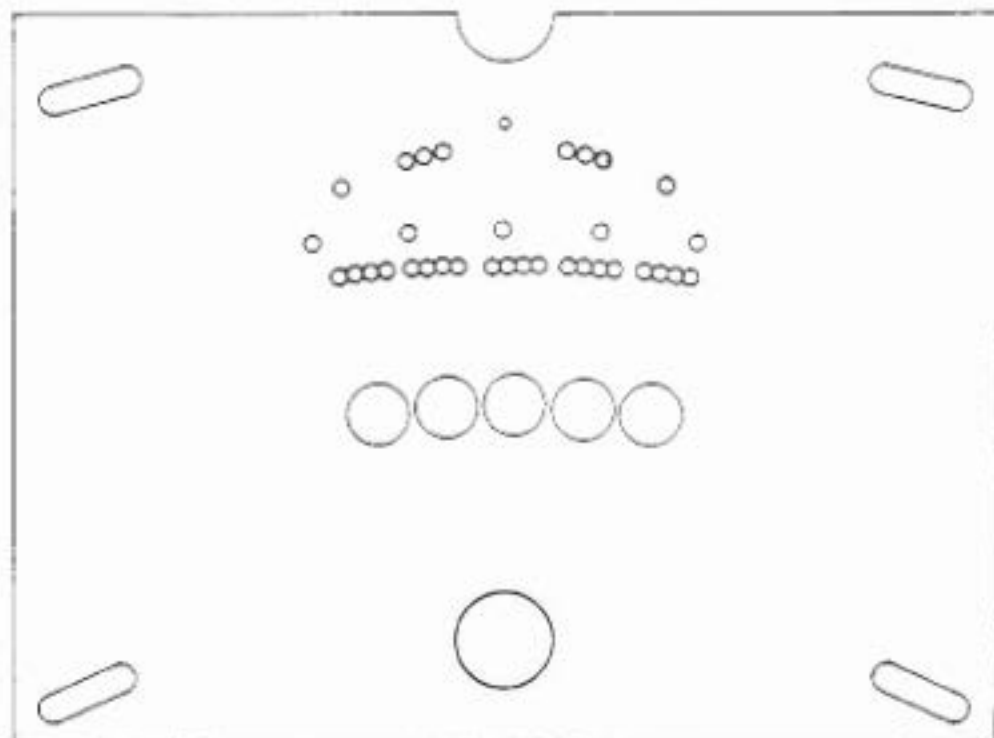


4831 DRIVE PAWL ARM ASS'Y.
1.20

Important: ALWAYS MENTION NAME OF GAME, UNIT, PART NUMBER, AND DESCRIPTION

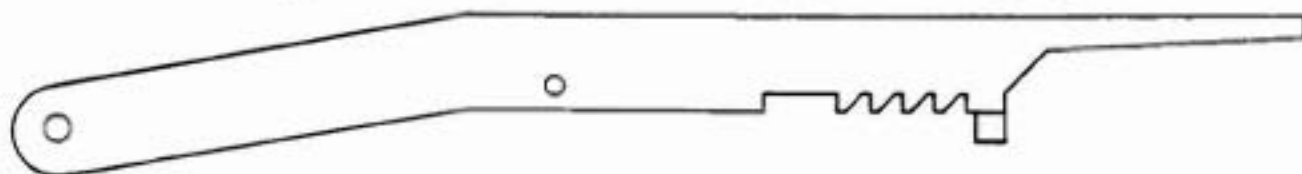
SAFARI, SAFARI DELUXE & POLAR

4886 CONTACT PLATE DISC ASSEMBLY — SPECIFY GAME — PRICE \$6.50

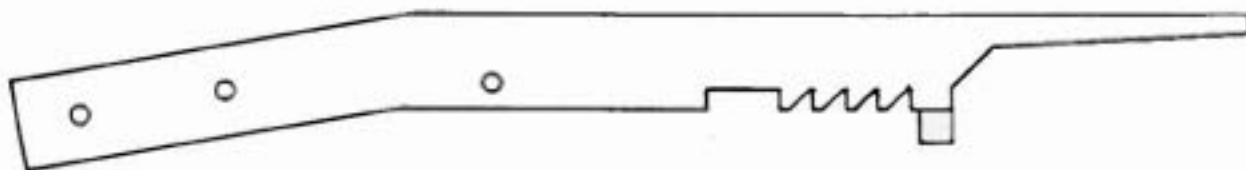


BALL TROUGH ARM ASSEMBLIES

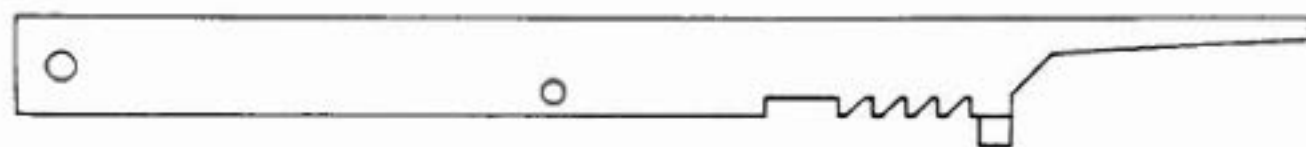
5070 — USED ON BANK POOL PRICE .80



5182 — USED ON STAR POOL & IMPERIAL POOL PRICE .80



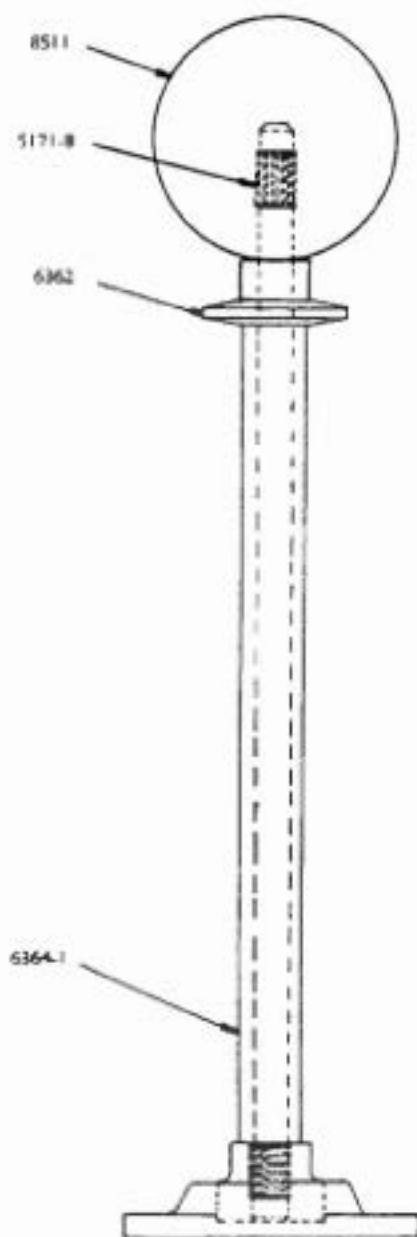
5183 — USED ON KLIK BILLIARDS PRICE .80



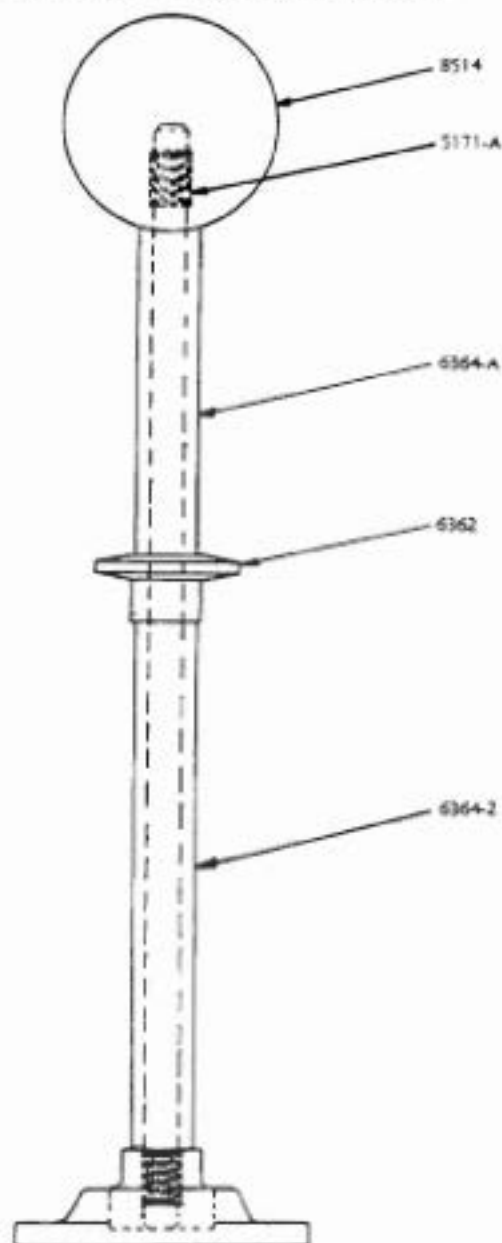
Important: ALWAYS MENTION NAME OF GAME, UNIT, PART NUMBER, AND DESCRIPTION.

KLIK BILLIARDS

5174 BANK BALL ASSEMBLY



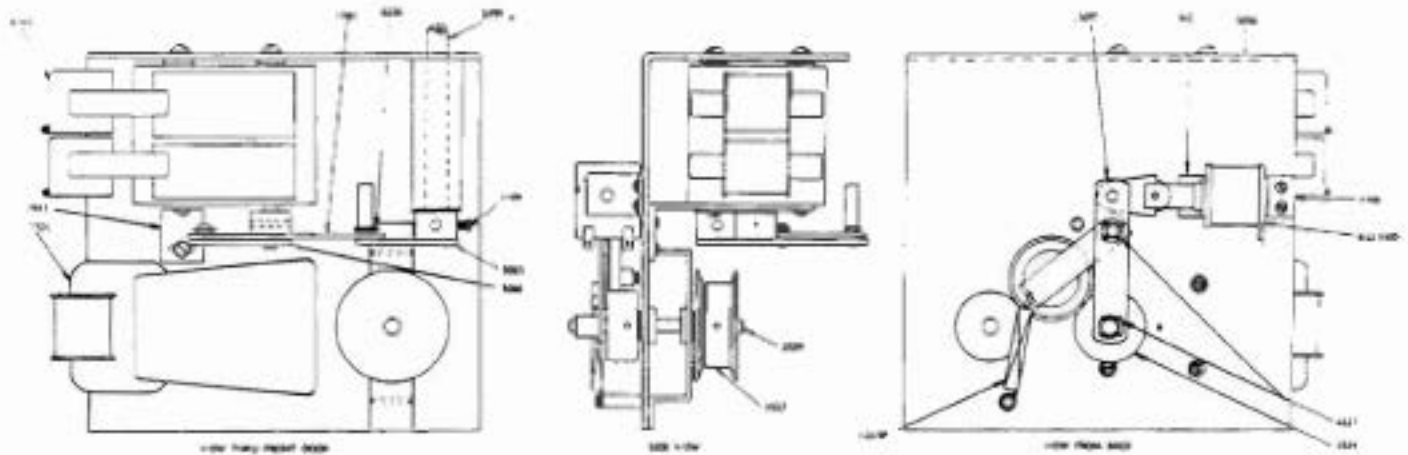
5173 HOLE BALL ASSEMBLY



PART No.	DESCRIPTION	PRICE
5171-A	Ball Support Assembly	.90
5171-B	Ball Support Assembly	.90
5173	Hole Ball Assembly - Complete	5.00
5174	Bank Ball Assembly - Complete	5.00
6362	Ball Deflector	.32
6364-1	Support Tube	.20
6364-2	Support Tube	.16
6364-3	Support Tube	.12
8511	Orange Sponse Ball - 2-1/4" dia.	3.50
8514	Yellow Sponse Ball - 2" dia.	3.50

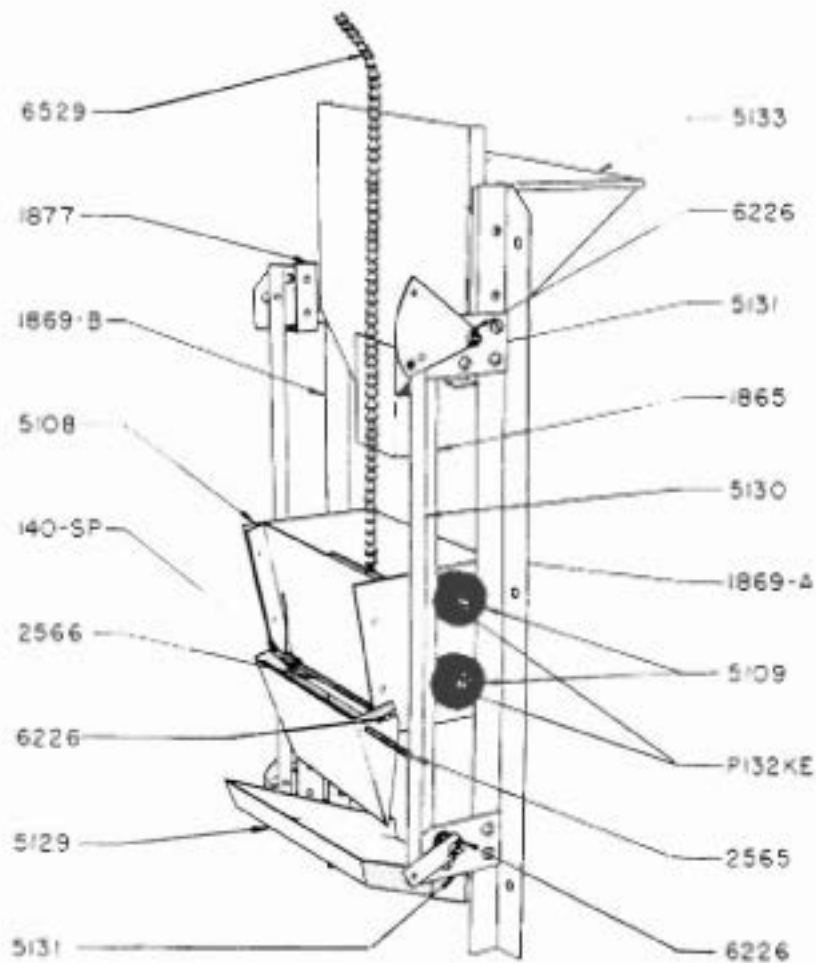
Important: ALWAYS MENTION NAME OF GAME, UNIT, PART NUMBER, AND DESCRIPTION

5049 MOTOR DRIVE ASSEMBLY – CRANE



PART No.	DESCRIPTION	PRICE
8-C	Coil Bracket	.15
123-SP	Spring	.07
1780	Connecting Link	.30
1942	Motor Adjustment Bracket	.35
2109	Cone Point Set Screw	.12
2523	Bobbin	.80
2524	Roller	.84
2529	Bobbin Shaft	.12
4708	Coil Stop Assembly	.34
5049	Complete Motor Drive Assembly	35.50
5056	Motor Plate Sub-Assembly	4.50
5057	Drive Assembly	3.20
5059	Drive Shaft Assembly	.35
5065	Follower Link Assembly	.66
5066	Drive Link Assembly	.62
6226	Hairpin Clip	.03
6227	Hairpin Clip	.03
6745	Motor	12.00
7705	Motor	10.00

Important: ALWAYS MENTION NAME OF GAME, UNIT, PART NUMBER, AND DESCRIPTION



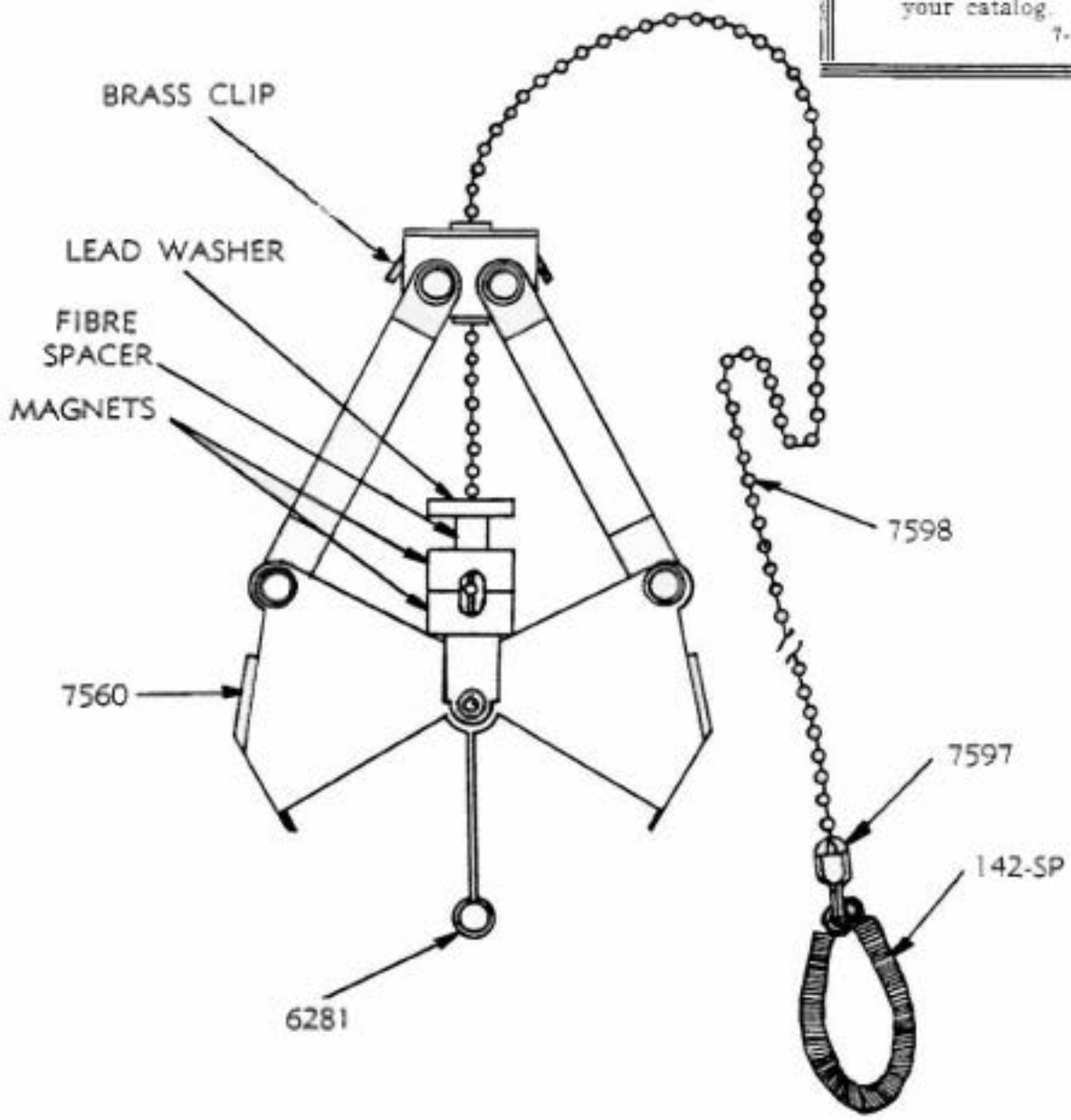
5128 SCALE ASSEMBLY

PART No.	DESCRIPTION	PRICE
140-SP	Spring	.08
1865	Bucket Guide Rail	.28
1869-A	Hopper Support - Right	.72
1869-B	Hopper Support - Left	.72
1877	Bucket Stop	.14
2565	Trip Shaft	.16
2566	Spring Shaft	.16
5108	Bucket Assembly	8.70
5109	Wheel Assembly	.92
5129	Scale Chute Assembly	1.42
5130	Trip Arm Assembly	1.25
5131	Bucket Guide Bracket Assembly	.38
5133	Hopper Assembly	7.55
6226	Hairpin Clip	.03
6529	Ladder Chain	.08 ft
P 132 KE	Hairpin Clip	.02
5128	SCALE ASSEMBLY - COMPLETE	26.50

Important: ALWAYS MENTION NAME OF GAME, UNIT, PART NUMBER, AND DESCRIPTION

BUCKET ASSEMBLY — COMPLETE

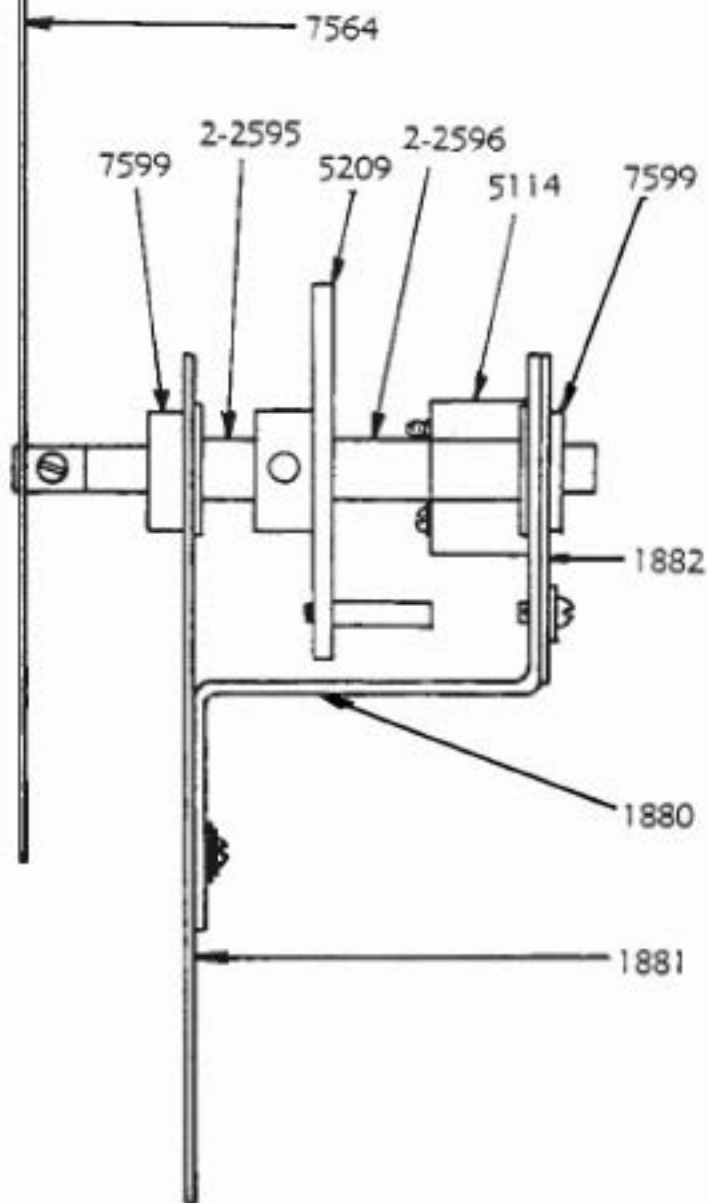
CORRECTED PAGE
 Replace old page in
 your catalog.
 7-1957



PART No.	DESCRIPTION	PRICE
142-SP	Spring	.07
6281	Retaining Wire	.10
7560	Bucket with 1/2 Magnet, Brass Clip & Lead Washer	3.90
7579	Offset Coupling	.03
7598	Monel Bead Chain	5.28
	Fibre Spacer	.01
	Lead Washer	.29
	Brass Clip	.12
	1/2 Magnet	.10
	Bucket Assembly - Complete	10.10

Important: ALWAYS MENTION NAME OF GAME, UNIT, PART NUMBER, AND DESCRIPTION

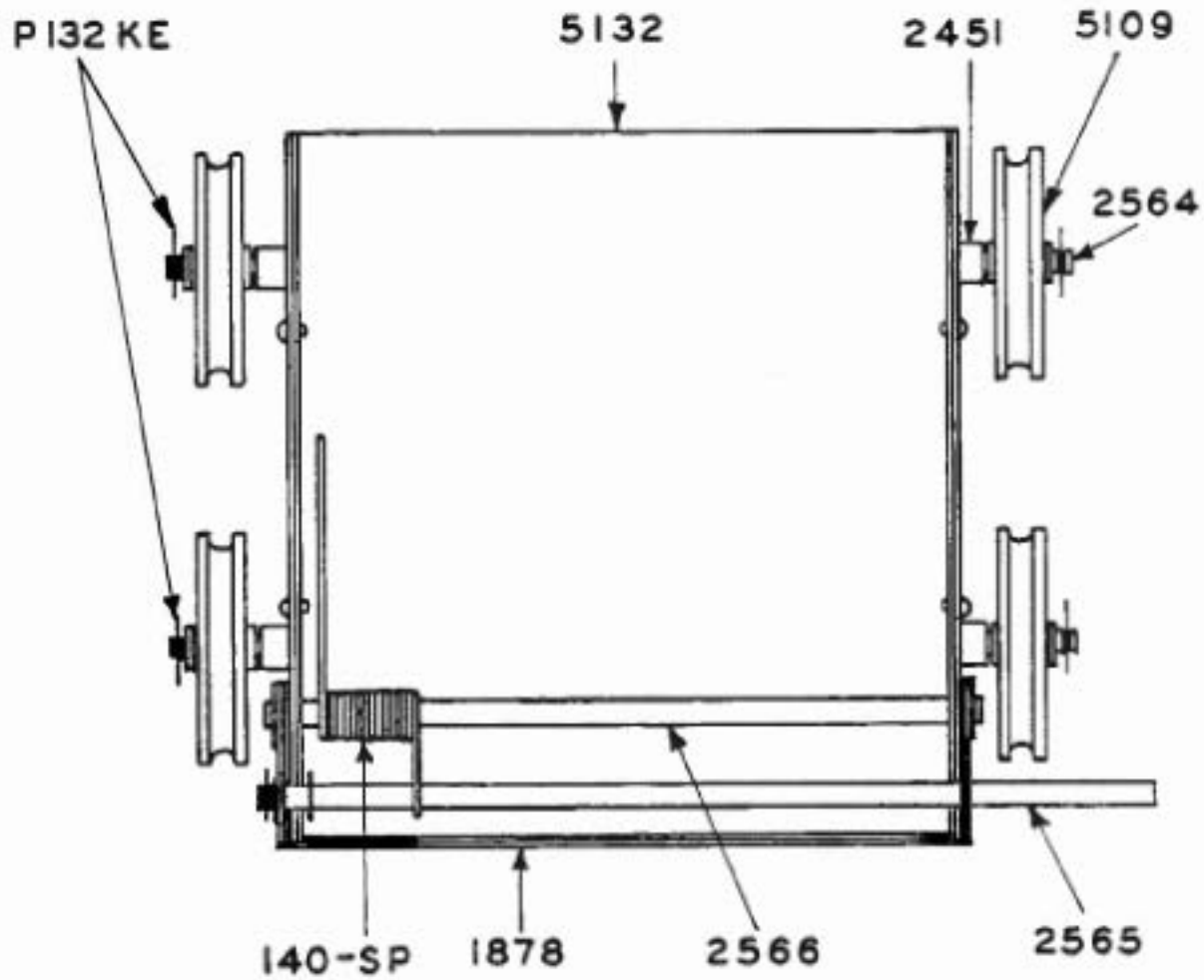
5135 SCALE POINTER ASSEMBLY



PART No.	DESCRIPTION	PRICE
1880	Scale Bearing Bracket	.50
1881	Front Scale Bearing Bracket	.55
1882	Scale Switch Bracket	.40
2-2595	Bearing Spacer - Short	.12
2-2596	Bearing Spacer - Long	.24
5114	Micro Switch Assembly	5.55
5135	Scale Pointer Assembly - Complete	14.50
5209	Scale Shaft & Sprocket Assembly	.40
7564	Scale Pointer	.16
7599	Fafnir Bearing	3.30

Important: ALWAYS MENTION NAME OF GAME, UNIT, PART NUMBER, AND DESCRIPTION

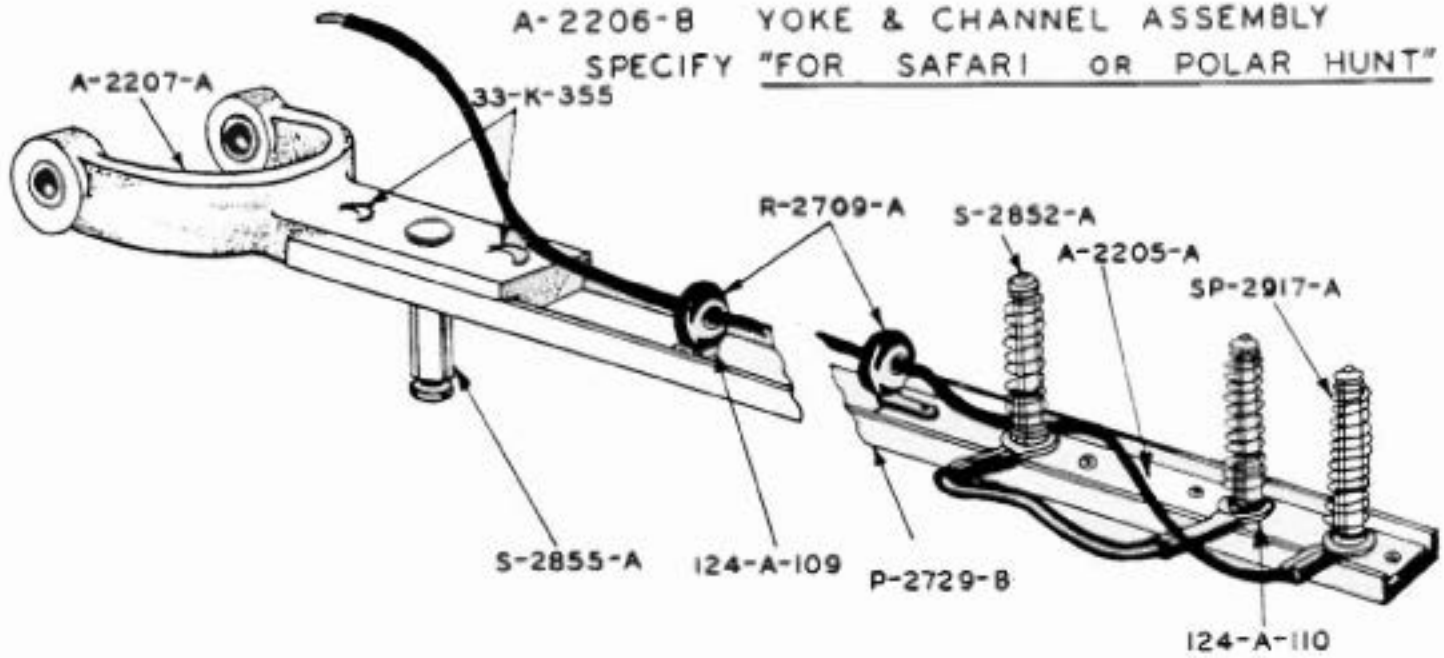
5108 BUCKET ASSEMBLY



PART No.	DESCRIPTION	PRICE
140-SP	Spring	.08
1878	Bucket Bottom	.92
2451	Spacer	.08
2564	Wheel Shaft	.16
2565	Trip Shaft	.16
2566	Spring Shaft	.16
5108	Bucket Assembly - Complete	8.70
5109	Wheel Assembly	.92
5132	Bucket Assembly	2.72
P 132 KE	Hairpin Clip	.02

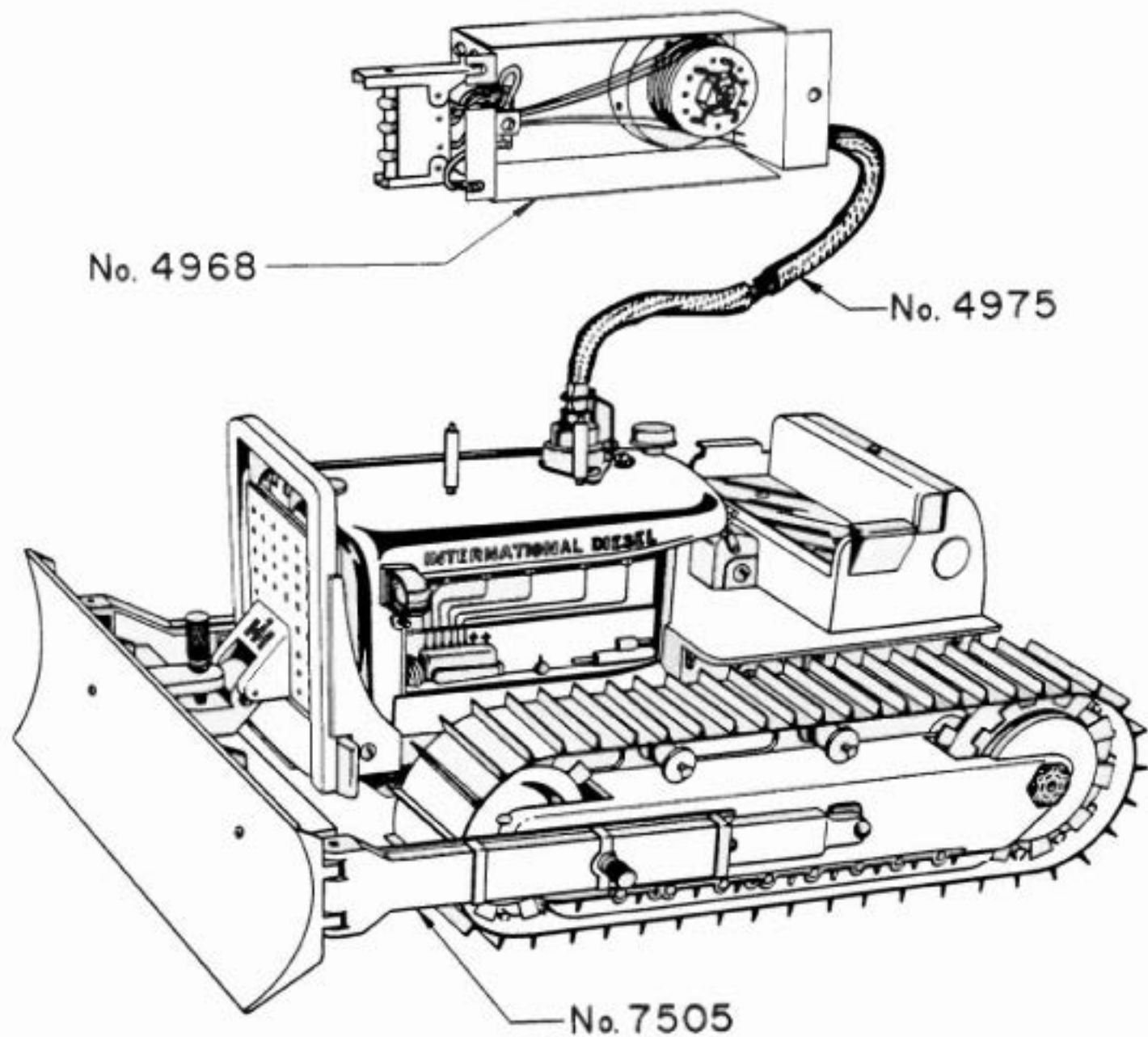
Important: ALWAYS MENTION NAME OF GAME, UNIT, PART NUMBER, AND DESCRIPTION

A-2206-B YOKE & CHANNEL ASSEMBLY
 SPECIFY "FOR SAFARI OR POLAR HUNT"



PART No.	DESCRIPTION	PRICE
A-2205-A	Bakelite, Bushing & Lug Assembly	.75
A-2206-B	Yoke & Channel Assembly - Complete	4.50
A-2207-A	Yoke Assembly	1.50
R-2709-A	Grommet	.03
P-2729-B	Target Selector Channel	.30
S-2852-A	Target Rivet	.16
S-2855-A	Stud	.22
SP-2917-A	Spring	.07
124-A-109	Solder Lug	.02
124-A-110	Solder Lug	.02

Important: ALWAYS MENTION NAME OF GAME, UNIT, PART NUMBER, AND DESCRIPTION

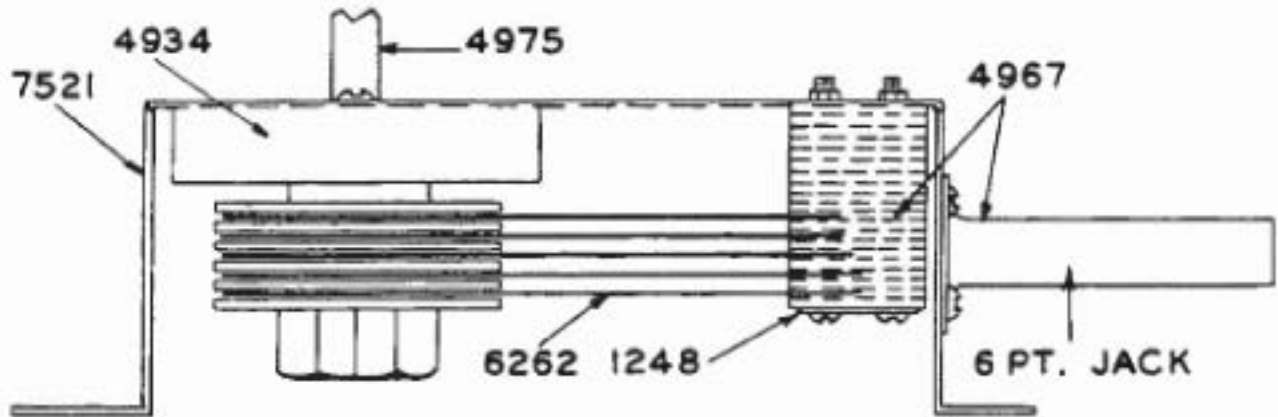


PART No.	DESCRIPTION	PRICE
4968	Collector Assembly (Includes Cable & Plug Assembly)	14.50
4975	Cable & Plug Assembly	5.50
6271	Wire Form for holding Cable & Plug Assembly on Tractor	.25
7505	Tractor less Cable & Plug Assembly & Collector Assembly	40.00
7505-1	Motor with Worm Assembly	12.00
7505-2	Clutch Assembly	9.32
7505-3	6 Point Terminal Socket	.60
7505-4	Headlight Fracket Assembly	2.00
7505-5	Plug & Shell	.40
7505-6	Right Track Frame Assembly	3.20
7505-7	Left Track Frame Assembly	3.20
7505-8	1 Complete set Molded Body Parts	5.40
7505-9	1 Complete set Decals	.60
7505-10	Flexible Rubber Tread	.50
7505-11	Dull Dozer Assembly	4.00
7516-A	Brushes for Motor	.72

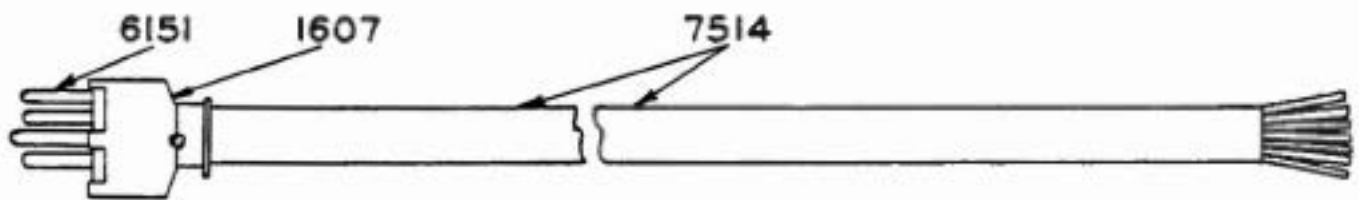
Important: ALWAYS MENTION NAME OF GAME, UNIT, PART NUMBER, AND DESCRIPTION

SIDEWALK ENGINEER

4968 COLLECTOR ASSEMBLY



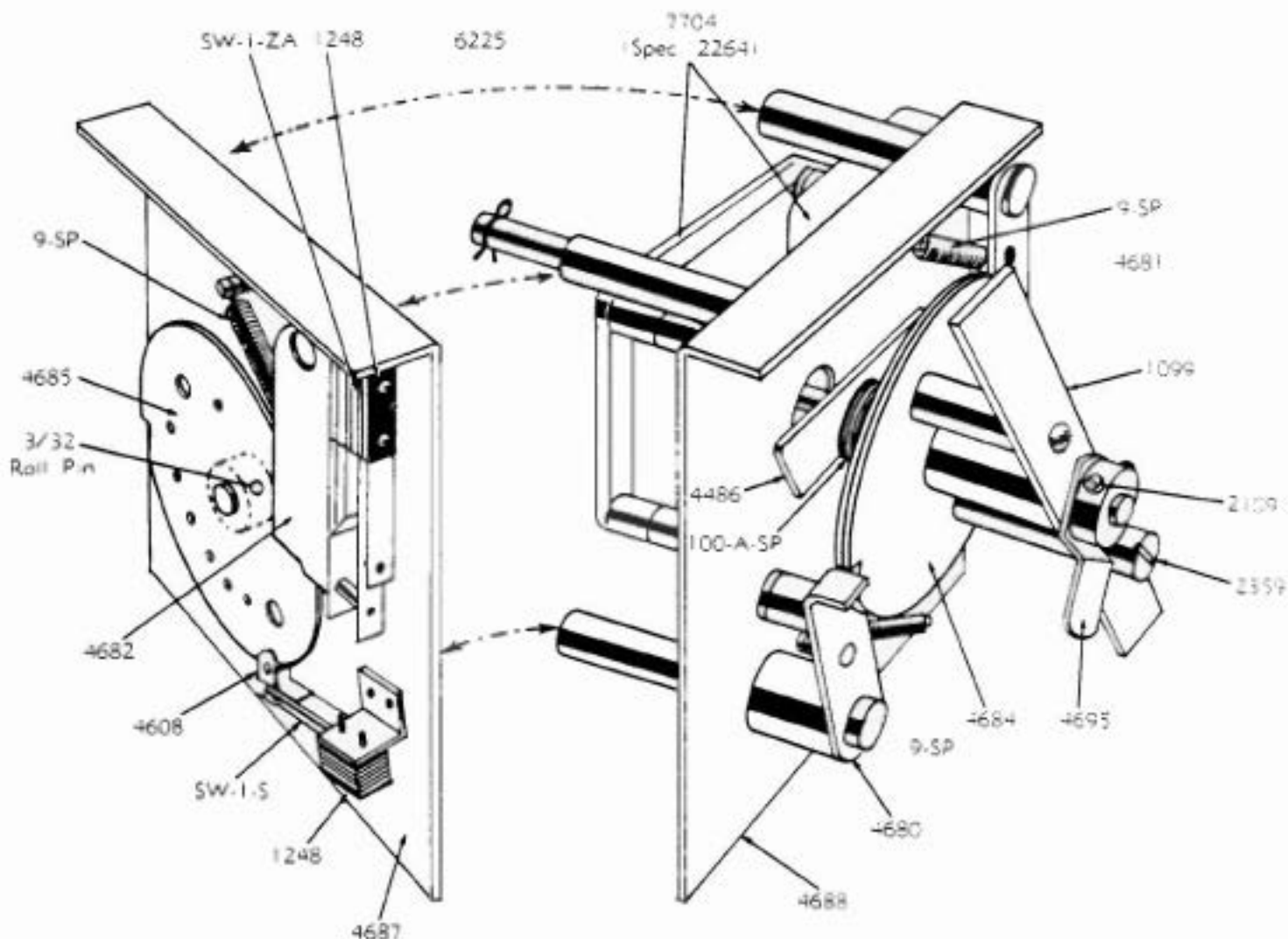
4975 CONTROL CABLE ASSEMBLY



PART No.	DESCRIPTION	PRICE
1248	Switch Plate	.06
1607	Shell	.06
4699-6	6 Point Female Jack	.50
4934	Commutator Assembly	6.00
4967	Switch & Jack Assembly	1.30
4968	Collector Assembly - Complete	14.50
4975	Control Cable Assembly	5.50
6151	Flng	.16
6262	Commutator Wire	.08
7514	Cable	5.25
7521	Collector Assembly Cover	1.50

Important: ALWAYS MENTION NAME OF GAME, UNIT, PART NUMBER, AND DESCRIPTION

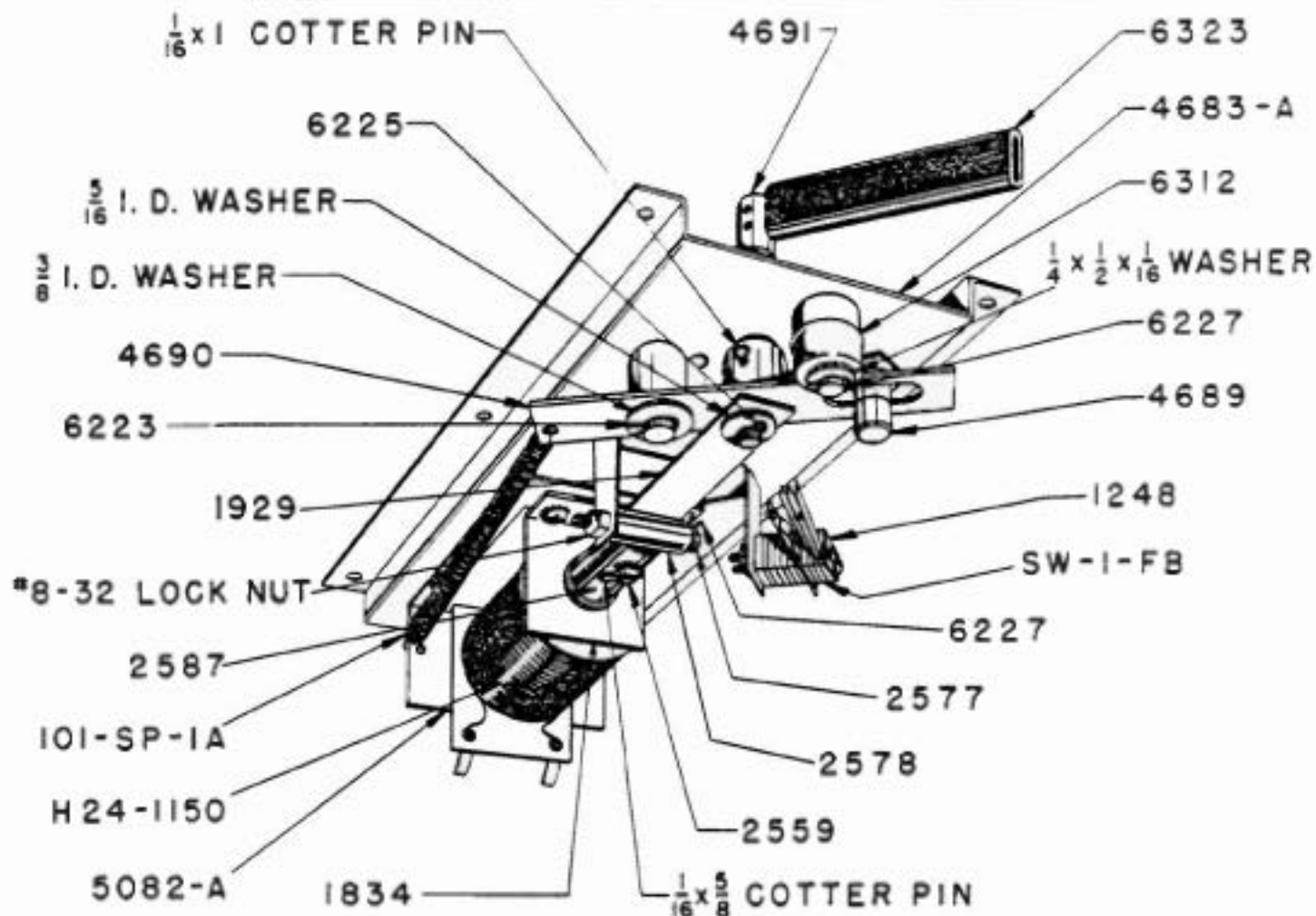
No. 4693 PITCHER UNIT ASSEMBLY



PART No.	DESCRIPTION	PRICE
9-SP	Ball Lift Spring	.06
100-A-SP	Torsion Spring	.15
1099	Pitching Bar	.52
1248	Switch Plate	.06
2109	Cone Point Set Screw	.12
2359	Pitcher Arm Stud	.20
4680	Stop Dog Assembly	1.00
4681	Stop Dog Assembly	1.00
4682	Stop Dog Assembly	1.00
4684	Stop Cam Assembly	.75
4685	Stop Cam Assembly	.75
4686	Release Arm Assembly	1.00
4687	Left Main Frame Assembly	3.00
4688	Right Main Frame Assembly	3.00
4693	Pitcher Unit Assembly - Complete	28.00
4695	Crank Arm Assembly	.90
6225	Hairpin Clip	.04
7704	Pitcher Motor - Spec. 2264	10.00
SW-1-S	Switch	.60
SW-1-ZA	Switch	.40

Important: ALWAYS MENTION NAME OF GAME, UNIT, PART NUMBER, AND DESCRIPTION

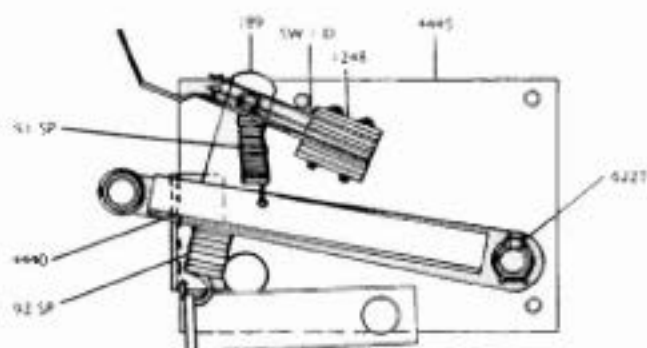
5161 BATTER UNIT ASSEMBLY



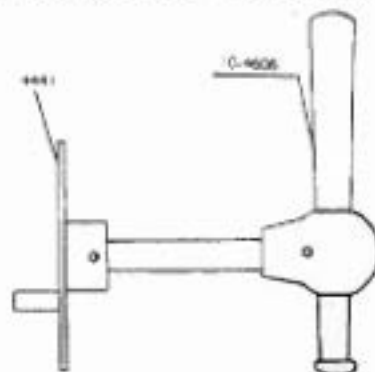
PART No.	DESCRIPTION	PRICE
1248	Switch Plate	.06
1834	Coil Bracket	.15
1929	Solenoid Link	.15
2559	Armature Pin	.18
2577	Roller Stud	.18
2578	Roller	.26
2587	Armature	.60
4683-A	Main Frame Assembly	2.00
4689	Driven Arm Assembly	.80
4690	Drive Arm Assembly	.75
4691	Bat & Shaft Assembly	1.60
5082-A	Bracket & Stop Assembly	1.00
5161	Batter Unit Assembly - Complete	15.00
6223	Hairpin Clip	.04
6225	Hairpin Clip	.03
6227	Hairpin Clip	.03
6312	Rubber Bumper	.12
6323	Rubber Bat Sleeve	.26
101-SP-1-A	Spring	.07
H24-1150	Bat Coil	2.00
SW-1-FB	Switch	.40
	$\frac{1}{16} \times \frac{5}{8}$ Cotter Pin	.02

Important: ALWAYS MENTION NAME OF GAME, UNIT, PART NUMBER, AND DESCRIPTION

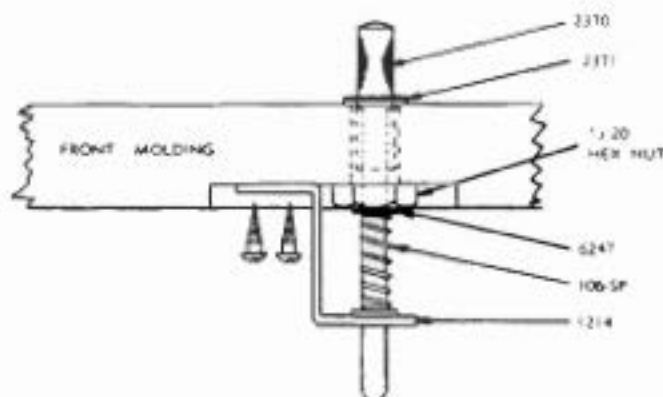
4452 INSIDE BAT MOUNTING ASSEMBLY



4450 BAT HANDLE & CAM ASSEMBLY



4776 SCAVENGER ASSEMBLY



PART No.	DESCRIPTION	PRICE
91-SP	Bat Pivot Spring	.07
92-SP	Bat Cam Spring	.15
106-SP	Scavenger Spring	.06
789	Link	.30
1214	Scavenger Retaining Bracket	.18
1248	Switch Plate	.06
2370	Push Button	.32
2371	Push Button Rod	.36
4440	Bat Pivot Arm Assembly	1.00
4441	Bat Handle Cam Assembly	.55
4445	Mounting Plate Assembly	1.65
4450	Bat Handle, Shaft & Cam Assembly - Complete	3.05
4452	Inside Bat Mounting Assembly - Complete	3.70
4776	Scavenger Assembly - Complete	1.10
6227	Hairpin Clip	.03
6247	Retaining Ring	.03
10-4606	Bat Handle & Shaft Assembly	2.50
SW-1-D	Switch	.40
	1/2-20 Hex Nut	.04

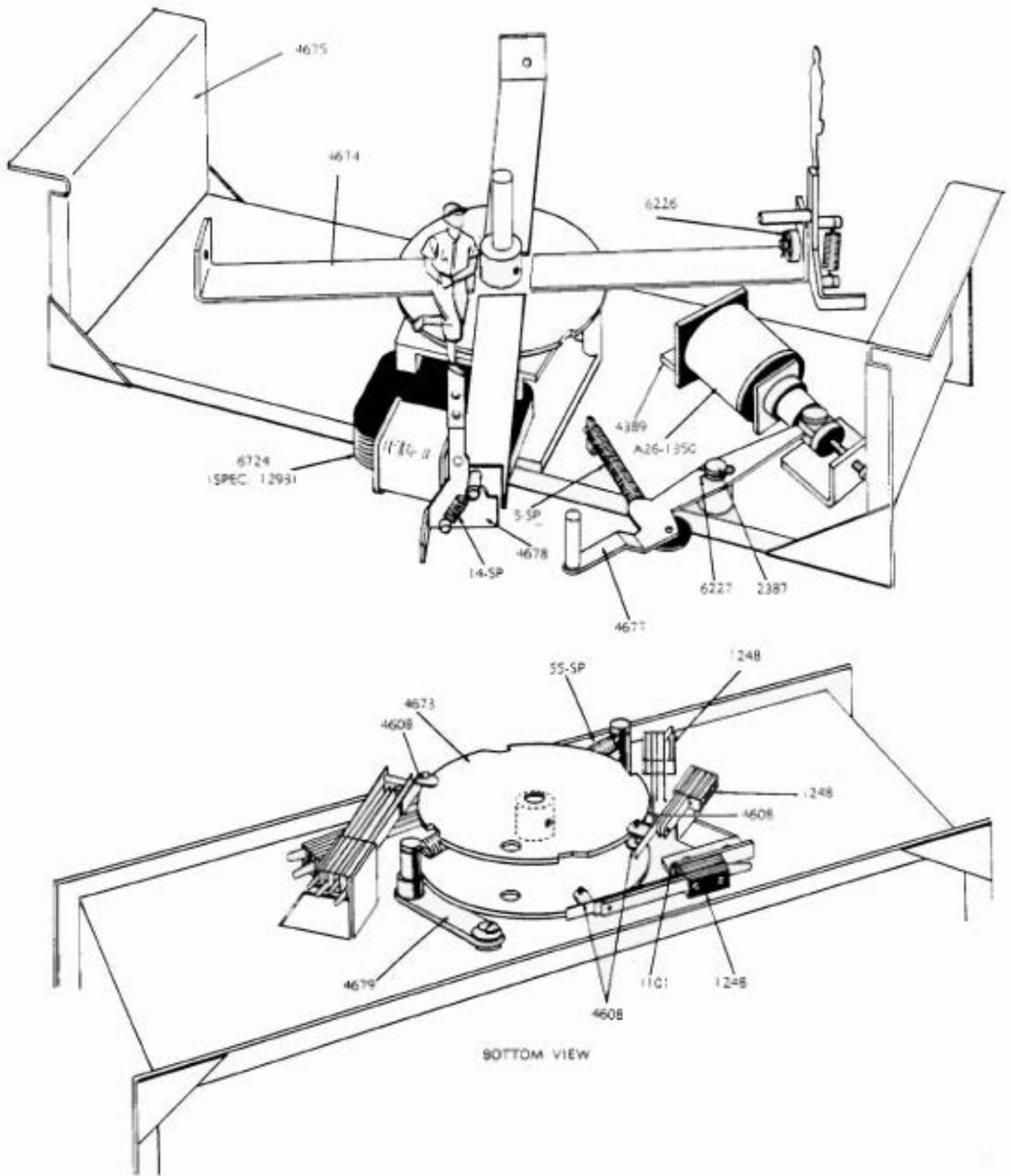
Important: ALWAYS MENTION NAME OF GAME, UNIT, PART NUMBER, AND DESCRIPTION

No. 5170 MAN RUNNING UNIT ASSEMBLY

PART No.	DESCRIPTION	PRICE
5-SP	Spring	.01
11-SP	Spring	.01
55-SP	Spring	.05
792	Kick Off Blade	.22
1101	Switch Bracket	.16
1248	Switch Plate	.06
2387	Pivot Post	.36
4389	Coil Stop Assembly	.42
4608	Cam Follower Assembly	.20
4673	Man Running Disc Assembly	.75
4674	Man Running Arm Assembly	2.00
4675	Man Running Unit Main Frame Assembly	6.00
4677	Step up Arm Assembly	1.30
4678	Base Runner Assembly	.60
4679	Indexing Pawl Assembly	.45
5170	Man Running Unit - Complete	26.00
	Man Running Unit - Complete & Mounted on Diamond Panel	40.00
6226	Hairpin Clip	.03
6227	Hairpin Clip	.03
6724	Man Running Motor - Spec. 1293	10.00
A26-1350	Man Loading Coil	1.50

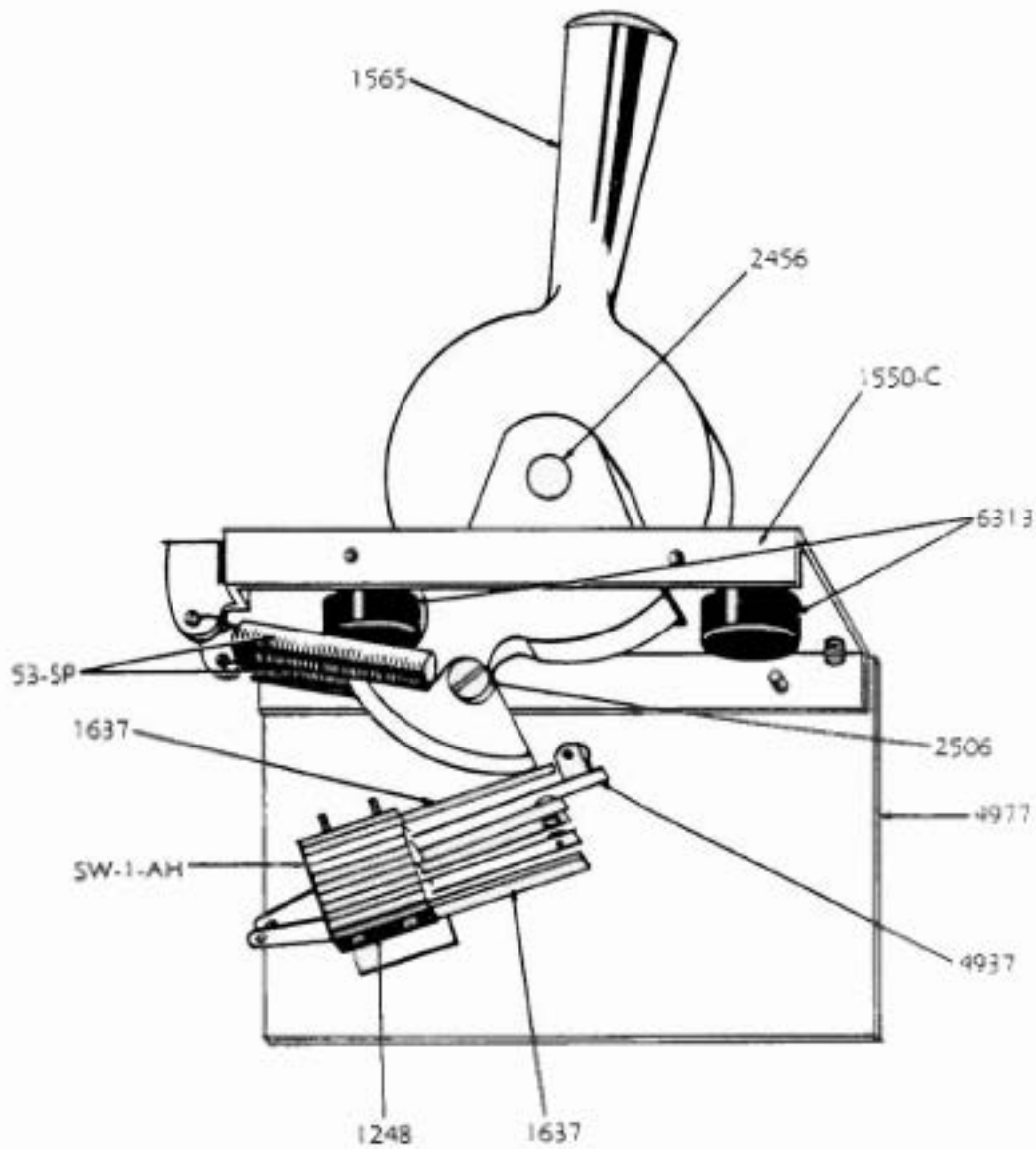
Important: ALWAYS MENTION NAME OF GAME, UNIT, PART NUMBER, AND DESCRIPTION

No. 5170 MAN RUNNING UNIT ASSEMBLY



Important: ALWAYS MENTION NAME OF GAME, UNIT, PART NUMBER, AND DESCRIPTION

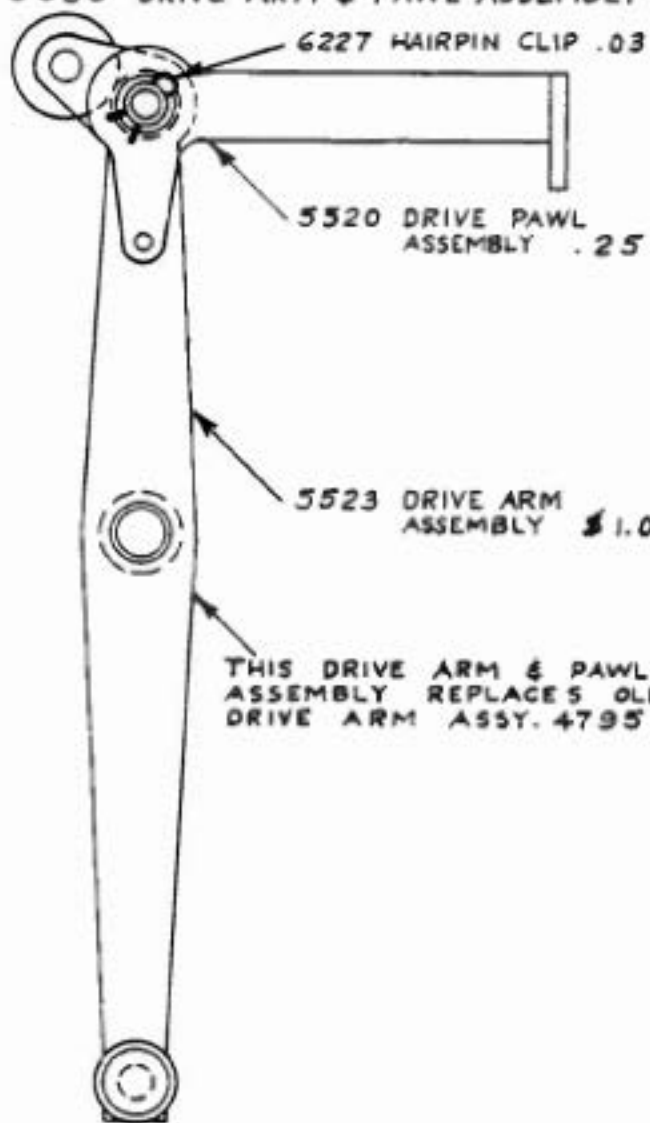
No. 4978 BAT HANDLE ASSEMBLY



PART No.	DESCRIPTION	PRICE
53-SP	Handle Return Spring	.05
1248	Switch Plate	.06
1550-C	Throttle Mounting Frame	3.75
1565	Throttle Arm	5.75
1637	Back up	.10
1638	Bumper Extension	.04
2456	Pin	.16
2506	Spring Stud Screw	.20
4977	Switch Plate Assembly	.80
4978	Bat or Throttle Handle Assembly - Complete	11.00
6313	Rubber Bumper	.08
SW-1-AH	Switch	.40

Important: ALWAYS MENTION NAME OF GAME, UNIT, PART NUMBER, AND DESCRIPTION

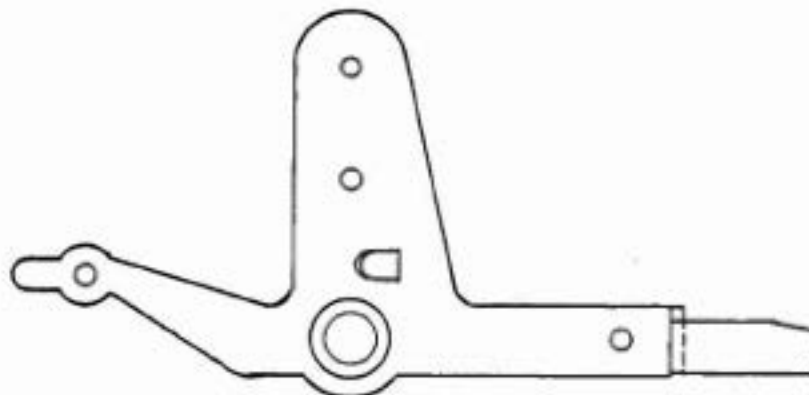
5535 DRIVE ARM & PAWL ASSEMBLY \$ 1.30



5524 LOCK ARM ASSEMBLY .20

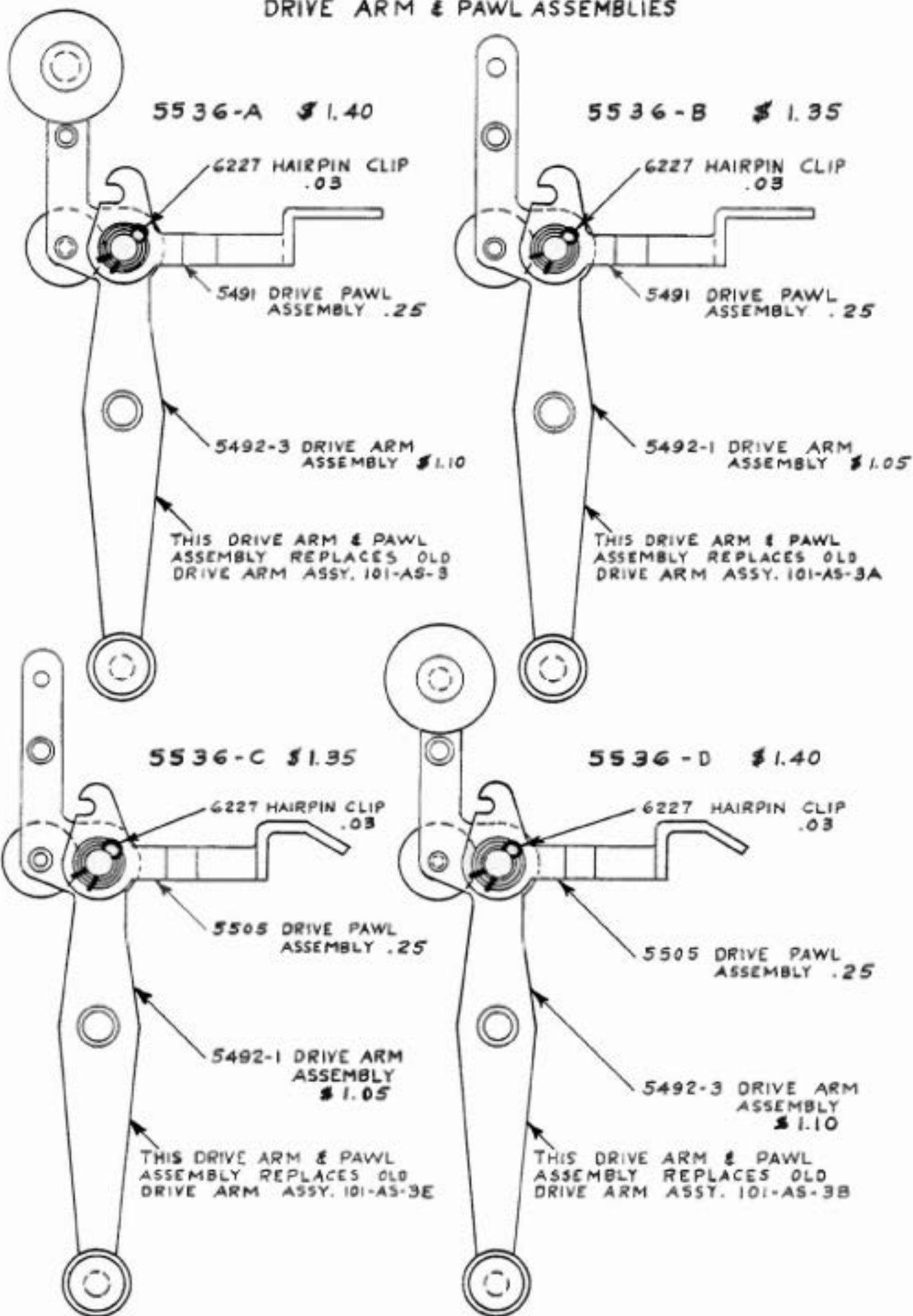


5525 RESET ARM ASSEMBLY \$ 1.00

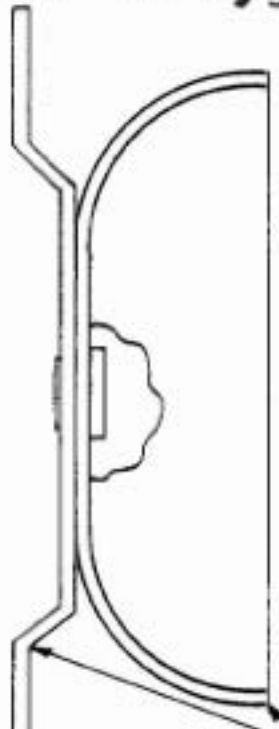


Important: ALWAYS MENTION NAME OF GAME, UNIT, PART NUMBER, AND DESCRIPTION

DRIVE ARM & PAWL ASSEMBLIES

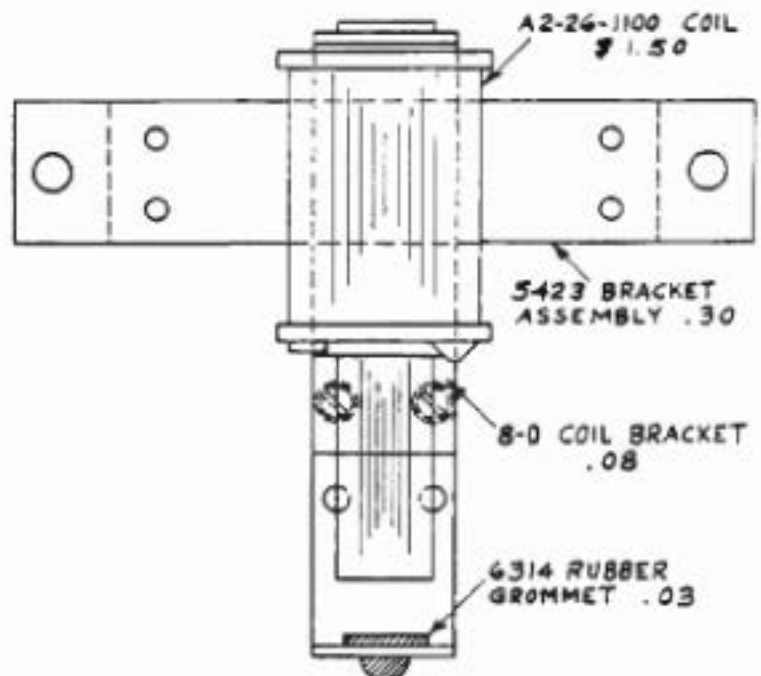


5392 3 3/8" BELL ASSEMBLY
\$ 3.00



5391 BELL & BRACKET ASSEMBLY .70

5393 COIL & BRACKET ASSEMBLY
\$ 2.00

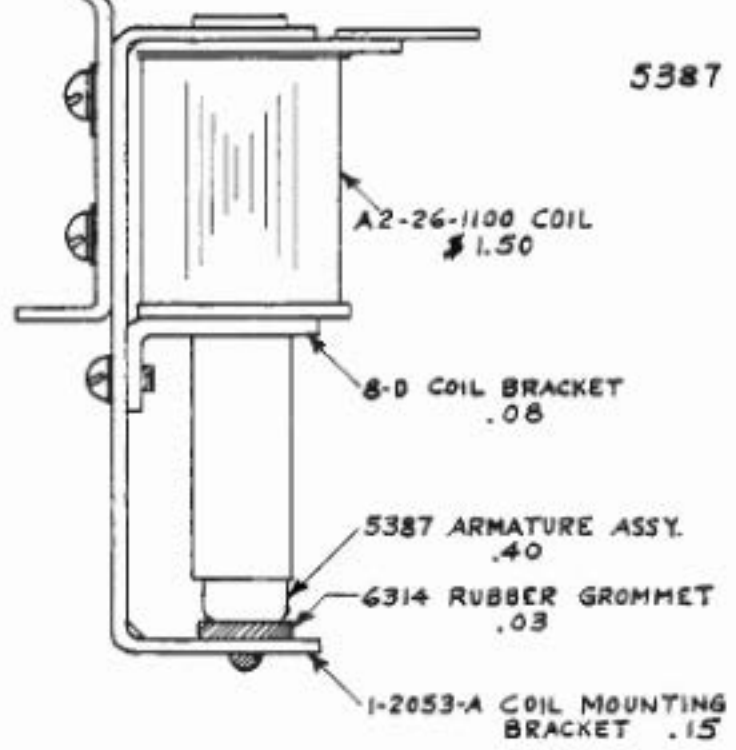


A2-26-1100 COIL
\$ 1.50

5423 BRACKET ASSEMBLY .30

8-0 COIL BRACKET .08

6314 RUBBER GROMMET .03



A2-26-1100 COIL
\$ 1.50

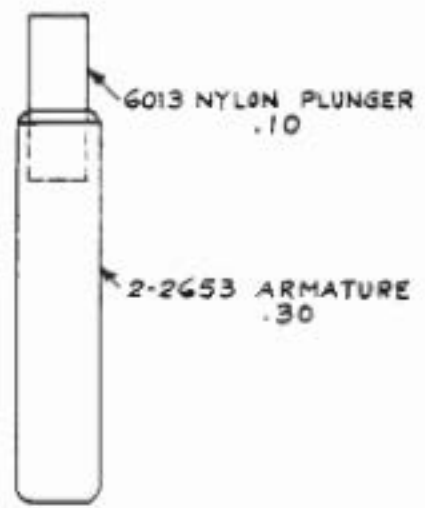
8-0 COIL BRACKET .08

5387 ARMATURE ASSY. .40

6314 RUBBER GROMMET .03

1-2053-A COIL MOUNTING BRACKET .15

5387 BELL ARMATURE ASSEMBLY

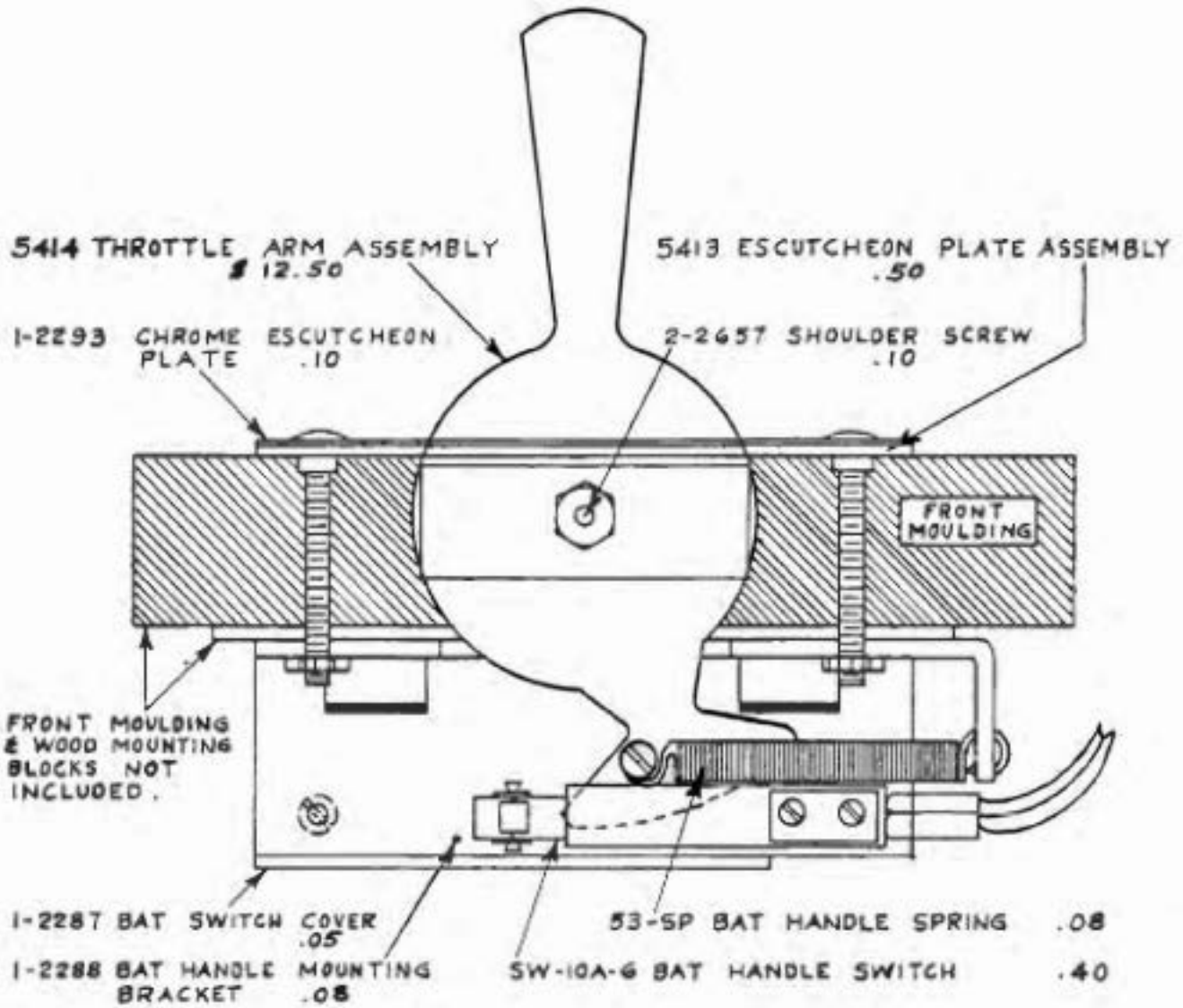


6013 NYLON PLUNGER .10

2-2653 ARMATURE .30

Important: ALWAYS MENTION NAME OF GAME, UNIT, PART NUMBER, AND DESCRIPTION

5431 BAT HANDLE ASSEMBLY (COMPLETE) 1957 BASEBALL
 \$ 15.00



BALLS

PART No.	DESCRIPTION	PRICE
6086	1 $\frac{1}{2}$ " CATALIN BALL	1.00
6500	1 $\frac{1}{16}$ " STEEL BALL	.45
6518	$\frac{7}{8}$ " STEEL BALL (Baseball Games)	.10
6519	$\frac{15}{16}$ " STEEL BALL (Roll Tilt Assembly)	.10
7534	BILLIARD BALL - 2 $\frac{1}{8}$ " Red	3.45
7534-A	CUE BALL - 2 $\frac{1}{8}$ " Red/White Dot	3.55
7535	BILLIARD BALL - 2 $\frac{1}{8}$ " White	3.45
7535-A	CUE BALL - 2 $\frac{1}{8}$ " White/Red Dot	3.55
8511	ORANGE SOPASE BALL - 2 $\frac{1}{4}$ "	3.45
8512	RED SOPASE BALL - 2 $\frac{1}{4}$ "	3.45
8513	WHITE SOPASE BALL - 2 $\frac{1}{4}$ "	3.45
8514	YELLOW SOPASE BALL - 2 "	3.45
8545	2 $\frac{1}{4}$ " RED BILLIARD BALL - $\frac{3}{4}$ " White Dot	3.55
8546	2 $\frac{1}{4}$ " WHITE BILLIARD BALL - $\frac{3}{4}$ " Red Dot	3.55

CABINET PARTS & HARDWARE

PART No.	DESCRIPTION	PRICE
	SIDE MOULDING - left or right	2.60
	FRONT MOULDING	3.50
	FRONT DOOR - painted	4.00
	CABINET LEG	4.00
	STD. LIGHT BOX BOLT	.04
	CASH BOX	1.00
	CASH BOX COVER	.75
	CASH BOX LOCK BRACKET	.25
# 4669	FRONT DOOR HINGE ASSEMBLY	1.10
# 5071	DOOR HINGE ASSEMBLY - Pool Games	1.00
# 6501	LEG BINDING POST & SCREW	.15
# 6542	FRONT DOOR LOCK	1.75
# 6543	BACK DOOR LOCK	1.50
# 6572	"PRESS TO FITCH" RING	.50
#6572-A	"PRESS TO START" RING	.50
# 7023	LEG BOLT	.18
# 7024	LEG BOLT WASHER	.10
# 7025-A	LEG ADJUSTER	.18
#7025-B	LEG ADJUSTER NUT	.10
# 7025-C	LEG ADJUSTER MOUNTING PLATE	.14
# 7548	HOOK CAM & LOCK	1.85

COILS

PART No.	DESCRIPTION	PRICE
A 24-650	EJECT COIL	1.50
A 25-950	STEP UP COIL	1.50
A 26-1100	STEP UP COIL	1.50
A 26-1350	SOLEROID COIL	1.60
A 27-850	FLIPPER COIL - Old Games	1.50
A 30-2800	BALL RELEASE COIL	1.60
B 25-1150	RESET COIL - Old Games	1.50
B 29-1600	RESET COIL	1.60
B 32-3500	DROP BUCKET COIL	1.60
C 28-1100	KNOCKER COIL	1.40
C 28-1100-1	BELL COIL	1.40
D 22-1150	BAT COIL - Used on Baseball before "4 Bagger"	2.00
D 24-875	RELAY BANK RESET - Old Games	2.00
D 24-1150	BAT & RELAY BANK RESET	2.00
DU 26-1550	DRUM UNIT COIL	1.60
DU 27-1550	DRUM UNIT COIL	1.60
FL-25-930- 31-600	NEW FLIPPER COIL	1.60
FL 26-30	OLD FLIPPER COIL	1.60
G 25-1100	THUMPER BUMPER COIL	1.60
G 26-1400	KICKER COIL	1.60
H 24-900	SHUFFLE COIL	1.60
H 28-1300	BALL RELEASE COIL	1.65
IT 30-1500	INTERLOCK RELAY COIL	1.60
IT 32-2100	INTERLOCK RELAY COIL	1.60
T 28-800	RELAY COIL	1.60

COILS

PART No.	DESCRIPTION	PRICE
T 28-960	RELAY COIL	1.60
T 30-1500	RELAY COIL	1.60
T 30-1600	RELAY COIL	1.60
T 30-1800	RELAY COIL	1.60
T 31-2300	RELAY COIL	1.60
T 32-1950	RELAY COIL	1.60
T 32-2500	RELAY COIL	1.60
T 33-2300	RELAY COIL	1.60
T 34-3000	RELAY COIL	1.60
T 35-5500	RELAY COIL	1.60
U 27-1100	OLD DRUM UNIT COIL	1.60
W 23-650	IGLOO ACTUATING COIL	1.60
X 28-800	RELAY BANK COIL	.80
X 30-1000	RELAY BANK COIL	.80
Y 29-1100	RELAY COIL	1.60
Y 30-1315	SMALL 25 OHM RELAY COIL	1.50
Y 30-1500	RELAY COIL	1.60
1-31F-1325	COIL - Gun Games	1.60
2-26F-1180	COIL - Gun Games	1.60
3-23F-1600	KICKER COIL - Gun Games	2.00

New Coils will be introduced on new games. Check the list that will be found in each of the games for correct part numbers and where used.

FUSES & FUSE CLIPS

PART No.	DESCRIPTION	PRICE
6134	3 CLIP FUSE - Black	.64
6134-A	4 CLIP FUSE - Black	.92
6134-B	2 CLIP FUSE - Black	.96
6134-C	1 CLIP FUSE - Black	.68
6507	5 AMP. FUSE	.04
6508	10 AMP. FUSE	.04
6509	20 AMP. FUSE	.05
6567	15 AMP. FUSE	.05
6569	1 AMP. SLO BLO FUSE	.03

MOTORS

PART No.	DESCRIPTION	PRICE
6702	SCORE MOTOR - Spec. 453 USED ON (Silver Skates, Grand Champion, Palisades, DeLuxe Baseball, C.O.D., Pennant Baseball, Safari, Safari DeLuxe, Polar Hunt)	8.00
6717	MOTOR - Spec. 982 USED ON (Daffy Derby)	12.00
6724	MAN RUNNING MOTOR - Spec. 1293 USED ON (DeLuxe Baseball, Star Baseball, Special DeLuxe Baseball, Pennant Baseball, Super Star Baseball, Super Pennant Baseball, All Star Baseball, Major League, Big League, King of Swat, Four Bagger)	10.00
6725	PITCHER MOTOR - Spec. 1292-A USED ON (DeLuxe Baseball, Star Baseball, Special DeLuxe Baseball, Pennant Baseball, Super Star Baseball, Super Pennant Baseball, All Star Baseball, Major League, Big League, King of Swat)	10.00
6726	SCORE MOTOR - Spec. 1329-A USED ON (Gun Club, Struggle Buggies, Special DeLuxe Baseball, Army & Navy, Lazy Q, Nine Sisters, Dealer, Super Star Baseball, Super Pennant Baseball, Major League, Big League)	8.00
6727	SCORE MOTOR - Spec. 1329-B USED ON (Thunderbird, Skyway, Big Ben, Screamo, Cue Tee, Daffy Derby, Lulu, Star Colors, Star Pool, Spitfire, Peter Pan, Wonderland Three Ducees, Smoke Signal, Regatta, Snafu, Tim-Buc-Tu, Four Bagger)	8.00
6728	DOUBLE SHAFT MOTOR - Spec. 1539 USED ON (All Star Baseball)	10.00
6729	12 R.P.M. MOTOR -USED ON (Jet Fighter, Super Jet Fighter)	12.00
6730	1 1/2 R.P.M. MOTOR USED ON (Jet Fighter, Super Jet Fighter)	15.00
6733	CLOCK UNIT MOTOR - Spec. 1688USED ON (Lulu, Race the Clock)	10.00
6734	MOTOR - Spec. 1736USED ON (Safari, Safari DeLuxe, Polar Hunt)	10.00
6735	MOTOR - Spec. 1741 USED ON (Safari, Safari DeLuxe, Polar Hunt, Bandwagon)	10.00
6736	SWING TARGET MOTOR - Spec. 1737-B USED ON (Safari)	12.00

COIN CHUTES & REJECTORS

PART No.	DESCRIPTION	PRICE
6560	A B T 5 - 10 - 25 ¢ REJECTOR - Complete	28.50
6560-A	A B T 5 - 10 - 25 ¢ REJECTOR INSERT	20.50
6560-B	HOUSING FOR A B T 5 - 10 - 25 ¢ REJECTOR	8.00
6599	A B T 5 ¢ DROP CHUTE	6.00
6599-A	A B T 10 ¢ DROP CHUTE	6.25
6599-B	A B T 25 ¢ DROP CHUTE	6.50
6599-C	A B T 20 Franc DROP CHUTE	6.75
7540	MONARCH TWIN 10 ¢ CHUTE	9.00
7542	A B T DUPLEX 10 ¢ CHUTE	12.00
7544	A B T 10 ¢ BULLDOG CHUTE	5.50
7554	A B T 5 ¢ BULLDOG CHUTE	5.50
9-8529	NATIONAL 10 ¢ REJECTOR	6.00
9-8549	A B T 5 ¢ TWIN CHUTE	12.00
9-8550	SLIDE FOR A B T 10 ¢ TWIN CHUTE	4.00
9-8551	NATIONAL 5 ¢ REJECTOR	6.00
9-8552	NATIONAL 25 ¢ REJECTOR	6.25
9-8560	NATIONAL 20 Franc REJECTOR	7.00

ELECTRICAL PARTS

PART No.	DESCRIPTION	PRICE
4699	FEMALE JACK ASSEMBLY - Specify Size) Write for) Prices
4702	MALE JACK ASSEMBLY - Specify Size	
6100-F	4 POINT FEMALE JACK	.50
6100-M-	4 POINT MALE JACK	.40
6101-F	6 POINT FEMALE JACK	.55
6101-M	6 POINT MALE JACK	.45
6102-F	8 POINT FEMALE JACK	.60
6102-M	8 POINT MALE JACK	.50
6108-F	20 POINT FEMALE JACK	1.00
6108-M	20 POINT MALE JACK	.90
6111-F	2 POINT SINGLE SIDE FEMALE JACK - with straight leg	.35
6111-M	2 POINT MALE JACK	.20
6112-F	2 POINT SINGLE SIDE FEMALE JACK - with formed legs	.35
6133	PHONE TIP	.04
6135	SERVICE OUTLET	.05
6137	TOGGLE SWITCH	.10
6151	CABLE PLUG	.16
6159	3 WIRE PLUG	3.25
6163	PLUG ADAPTER	6.56
6164	FEMALE WIRE TAP	.04

RUBBER PARTS

PART No.	DESCRIPTION	PRICE
6300	5/16 " RUBBER RING	.05
6301	3/4 " RUBBER RING	.06
6302	1 " RUBBER RING	.07
6303	1 1/4 " RUBBER RING	.07
6304	1 1/2 " RUBBER RING	.08
6305	2 " RUBBER RING	.10
6306	2 5/16 " RUBBER RING	.12
6307	2 7/8 " RUBBER RING	.12
6308	3 3/8 " RUBBER RING	.14
6309	3 7/8 " RUBBER RING	.16
6310	5 " RUBBER RING	.24
6311	5/16 " JUMBO RUBBER RING	.06
6314	# 47 COLLAR BUTTON	.08
6316	LARGE REBOUND RUBBER	.30
6322	ARCH RUBBER	.12 f
6323	BAT SLEEVE	.26
6327	SHOOTER TIP	.05
6332	DEAD RUBBER RING FOR PLASTIC BUMPERS	.15
6350	IDLER WHEEL	2.00
6353	CUP for LEG ADJUSTERS	.15
6359	LIVE RUBBER RING FOR PLASTIC BUMPERS	.15

TRANSFORMERS

PART No.	DESCRIPTION	PRICE
6754	TRANSFORMER - USED ON (Silver Skates, Grand Champion, Palisades, DeLuxe Baseball, Star Baseball, C.O.D., Gun Club, Struggle Buggies, Special DeLuxe Baseball, Pennant Baseball, Army & Navy, Lazy Q, Nine Sisters, Dealer, Super Star Baseball, Super Pennant Baseball)	12.00
6758	TRANSFORMER - USED ON (Thunderbird, All Star Baseball, Screamo, Major League, Big League, Skyway, Big Ben, Cue Tee, Daffy Derby, Lulu, Star Colors, Star Pool, Jet Fighter, Super Jet Fighter, Spitfire, Peter Pan, Race the Clock, Bandwagon, King of Swat, Wonderland, Three Ducees, Smoke Signal, Regatta, Circus Wagon, Snafu)	12.00
6759	TRANSFORMER - USED ON (Safari, Safari, DeLuxe, Polar Hunt)	15.00
6760-A	TRANSFORMER - USED ON (Sidewalk Engineer)	12.00
6763	TRANSFORMER - USED ON (Jolly Joker, Royal Crown, Sr. DeLuxe Bank Pool, Light Up Pool, Royal Pool, Sr. Royal Pool, Sr. DeLuxe Light Up Pool, 3 Hole DeLuxe Light Up Bank Pool, Imperial Pool)	6.00
6764	TRANSFORMER - USED ON (Tim-Buc-Tu, Piccadilly, Score Pool, Diamond Score Pool, Four Bagger, Star Pool,, Hot Diggity, Surf Rider, Olympic Pool, Super Score)	12.00
	NOTE: Single Player - TRANSFORMER - 6764 Double Player - TRANSFORMER - 6764 Four Player - TRANSFORMER - 6764 These transformers are now corrently being used on the above type games. Check your MOTOR, TRANSFORMER and COIL SHEET that is provided in each game for any special transformers.	

MOTORS

PART No.	DESCRIPTION	PRICE
6738	SCORE MOTOR - Spec. 1329-C USED ON (King of Swat, Circus Wagon, Piccadilly, Surf Rider, Hot Diggity, Super Score)	10.00
6742	TIMER MOTOR - Herold $\frac{1}{2}$ R.P.M. USED ON (Sidewalk Engineer, Crane)	10.00
7702	MOTOR - Spec. 2202 USED ON (Crane)	10.00
7703	MOTOR - Spec. 2207 USED ON (Diamond Score Pool)	10.00
7704	PITCHER MOTOR - Spec. 2264 USED ON (Four Bagger)	10.00
7705	LIFT MOTOR - Spec. 2097-A USED ON (Crane)	10.00
7706	MOTOR - USED ON (Star Pool)	10.00
7707	MOTOR - Spec. 2386 USED ON (Olympic Pool)	10.00
7709	PLAYBACK UNIT MOTOR - USED ON (Peppy)	10.00
7711	MARIONETTE ACTIVATING MOTOR - Spec. 2512 USED ON (Peppy)	10.00

NOTE:

Single Player - 6738 MOTOR - Spec. 1329-C
 Double Player - 6738 MOTOR - Spec. 1329-C
 Four Player - 6738 MOTOR - Spec. 1329-C

These motors are now currently being used on the
 above type games. Check your MOTOR, TRANSFORMER
 and COIL SHEET that is provided in each game for
 any special motors.

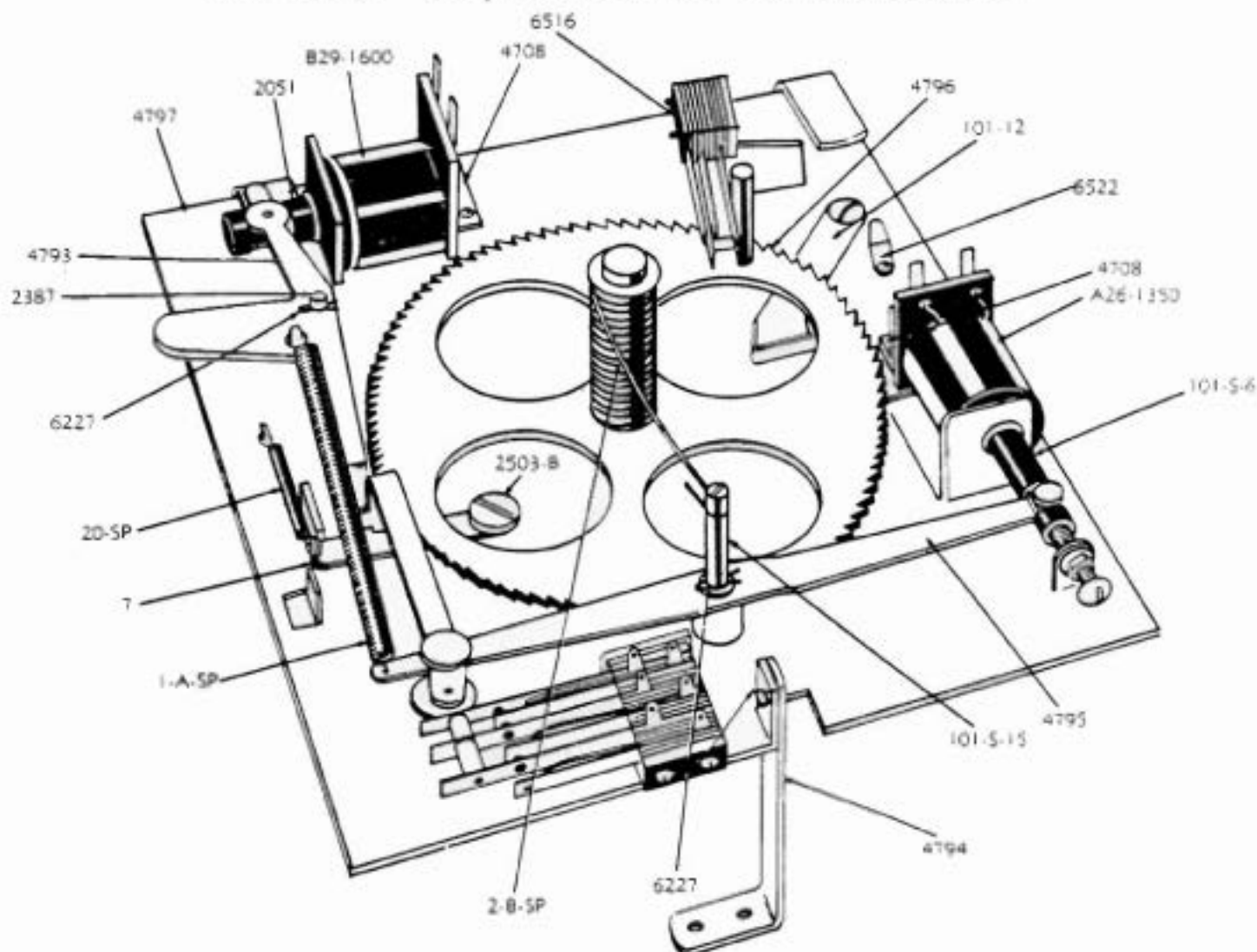
PLASTICS

PART No.	DESCRIPTION	PRICE
6000	SMALL POST	.10
6001	LARGE POST	.12
6002	KICKER BUMPER WAFER -Old Style with Pigtail Wire	.30
6003	LARGE ROLLOVER GUIDE	.08
6004	MEDIUM ROLLOVER GUIDE	.07
6005	SMALL ROLLOVER GUIDE	.06
6016	SMALL ROLLOVER BUTTON	.20
6018	PLASTIC SPROCKET	.50
6020	ROUND BUMPER CAP	.16
6021-A	BUMPER ASSEMBLY	.70
6028	TRIANGLE	.18
6039	LARGE ROLLOVER BUTTON	.22
6060	PLASTIC CUP - specify color	.52
6073	PLASTIC BUMPER - specify color	.57
6074	PLUG - with felt covering	1.10
6078	NUT	.12
6091	TARGET	.22
6092	1 " INSERT	.10
6093	1 1/4 " INSERT	.14
6094	2 " INSERT	.18
6095	3/4 " INSERT	.10
6096	7/8 " INSERT	.12
6097	SMALL BUTTON HOLDER FOR # 6016 R.O. BUTTON	.30
6098	LARGE BUTTON HOLDER FOR # 6016 R.O. BUTTON	.36
6099	1 3/16 " INSERT	.16

WIRE FORMS

PART No.	DESCRIPTION	PRICE
6213	BASE ROLLOVER WIRE	.08
6215	ROLLOVER WIRE	.08
6222	DOUBLE FLAG POST	.28
6223	HAIRPIN CLIP	.03
6225	HAIRPIN CLIP	.04
6226	HAIRPIN CLIP	.03
6227	HAIRPIN CLIP	.03
6240	ROLLOVER WIRE - Allows ball to roll over in one direction only	.08
6240-A	ROLLOVER WIRE - Allows ball to roll over in one direction only	.08
6243	ROLLOVER WIRE - Allows ball to roll over in both directions	.12
6243-A	ROLLOVER WIRE - Allows ball to roll over in both directions	.12
6251	CENTER BALL TROUGH ROLLOVER WIRE	.12
6251-A	CENTER BALL TROUGH ROLLOVER WIRE	.12
6262	CONTACT WIRE BRUSH	.08
6267	SNAP ON COTTER KEY - light	.12
6267-A	SNAP ON COTTER KEY - heavy	.12
6277	HOLE ROLLOVER WIRE - Pool Games	.12
6278	BALL TROUGH ROLLOVER WIRE - Pool Games	.08

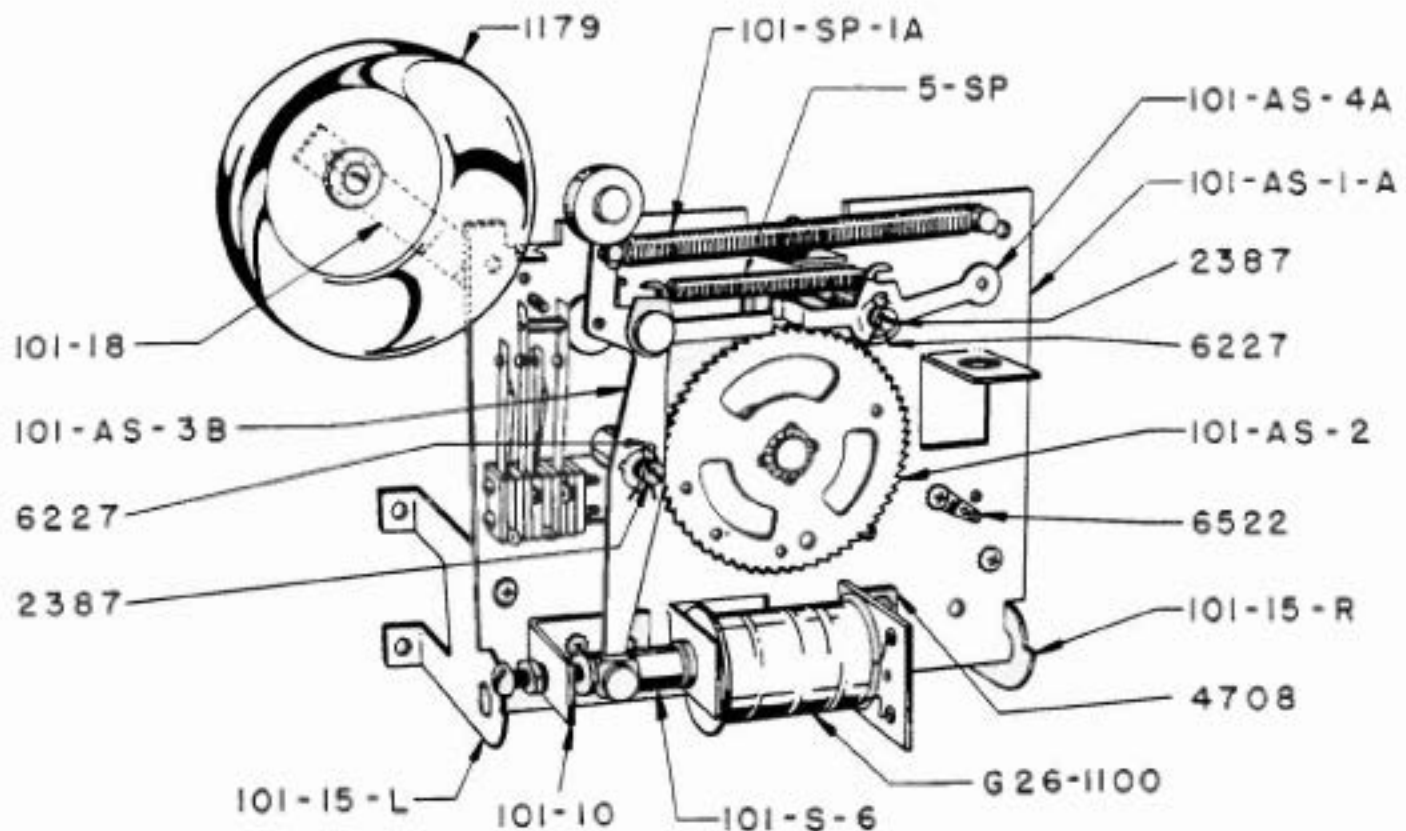
No. 4798 100,000 STEP UP UNIT ASSEMBLY



PART No.	DESCRIPTION	PRICE
1-A-SP	Drive Arm Spring	.07
2-B-SP	Torsion Spring	.28
7	Lock Arm	.14
20-SP	Lock Arm Spring	.04
101-12	Adjustable Stop	.18
101-S-6	Drive Armature	.50
101-S-15	Reset Post	.88
2051	Reset Armature	.50
2387	Pivot Screw	.60
2503-B	Shoulder Screw	.16
4708	Coil Stop Assembly	.34
4793	Reset Arm Assembly	1.00
4794	Support Bracket Assembly	1.25
4795	Drive Arm Assembly	1.30
4796	Ratchet Assembly	1.85
4797	Mounting Plate Assembly	3.75
4798	100,000 Unit Assembly - Complete - Specify Game	18.50
6223	Hairpin Clip	.01
6227	Hairpin Clip	.03
6516	Speed Nut	.02
A26-1350	Drive Coil	1.50
B29-1600	Reset Coil	1.50

Important: ALWAYS MENTION NAME OF GAME, UNIT, PART NUMBER, AND DESCRIPTION

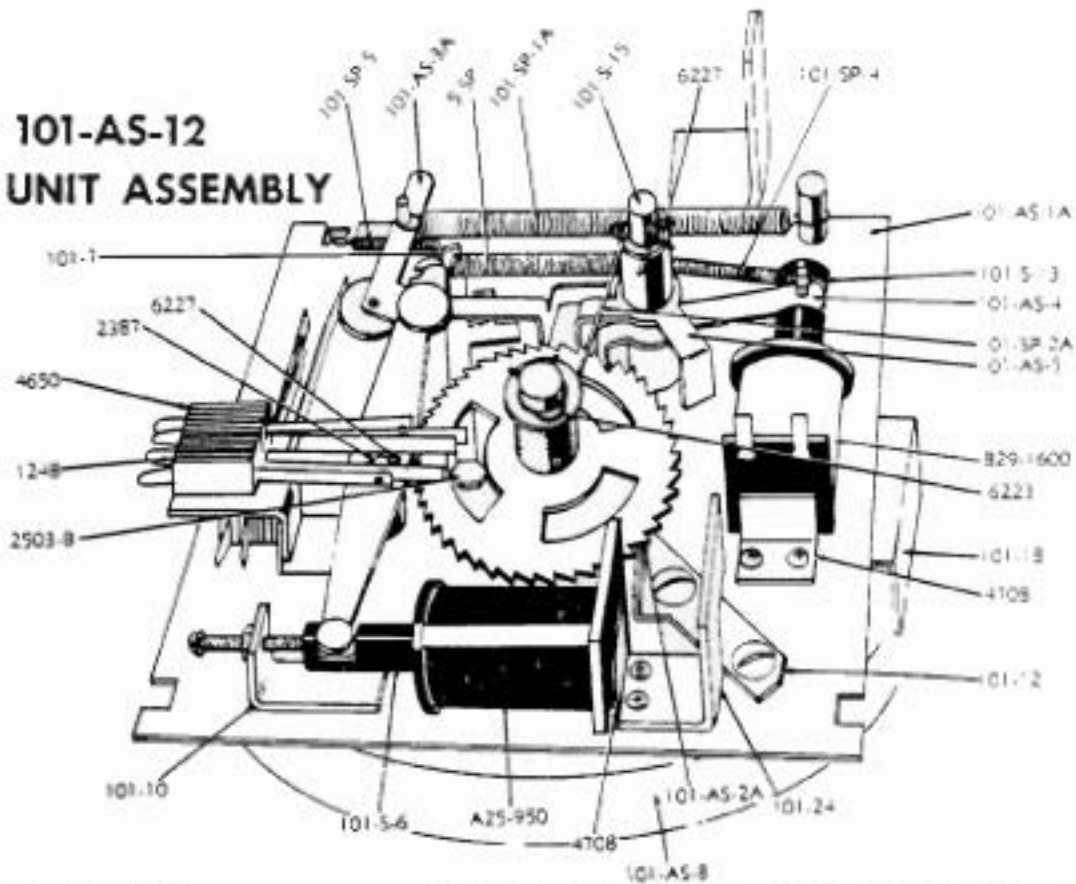
101-AS-11 10,000 STEP UP UNIT ASSEMBLY



PART No.	DESCRIPTION	PRICE
5-SP	Reset Arm Spring	.04
101-10	Drive Armature Stop Bracket	.10
101-15-L	Left Side Leg.	.30
101-15-R	Right Side Leg	.30
101-18	Gong Strap	.20
101-S-6	Drive Armature	.50
101-AS-1	Mounting Plate Assembly	3.50
101-AS-2	Ratchet Assembly	1.50
101-AS-3-B	Drive Arm Assembly	1.40
101-AS-4-A	Reset Arm Assembly	.48
101-AS-11	10,000 Step Up Unit Assembly - Complete	16.00
101-SP-1-A	Drive Spring	.07
1179	3-3/8" Bell Shell	.80
2387	Pivot Post	.36
4708	Coil Stop Assembly	.34
6227	Hairpin Clip	.03
6522	Solder Lug	.02
G26-1100	Drive Coil	1.50
	Contact Disc Assembly - Specify Game	2.70
	Contact Finger Assembly - Specify Game	1.20

Important: ALWAYS MENTION NAME OF GAME, UNIT, PART NUMBER, AND DESCRIPTION

No. 101-AS-12 REPLAY UNIT ASSEMBLY

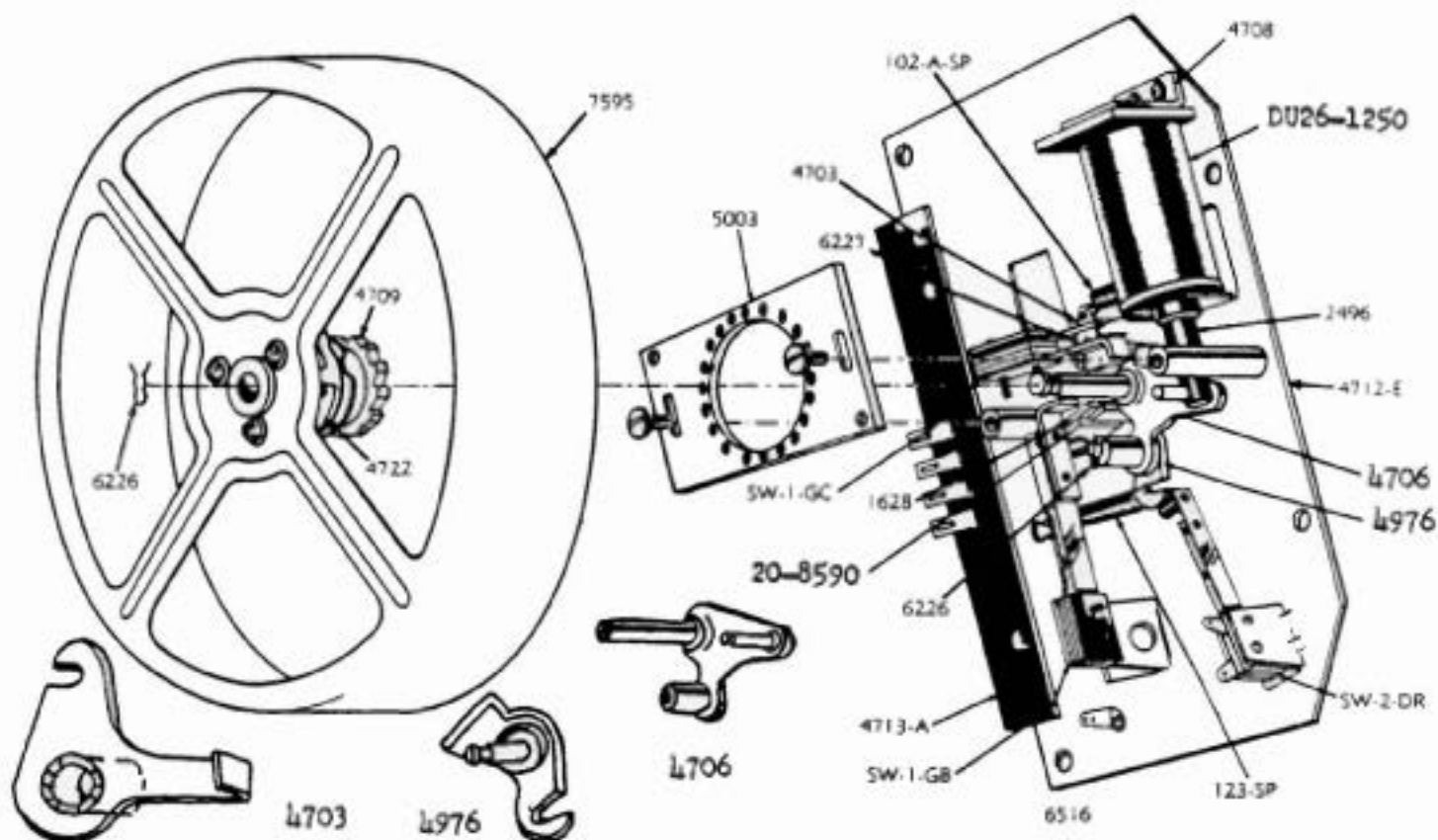


PART No.	DESCRIPTION	PRICE
5-SP	Reset Arm Spring	.01
101-7	Lock Arm	.20
101-10	Drive Arm Stop Bracket	.10
101-12	Adjustable Stop Bracket	.18
101-19	Replay Number Shield	.20
101-24	Lower Mounting Bracket	.18
101-S-6	Drive Armature	.50
101-S-13	Reset Armature	.50
101-S-15	Reset Arm Post	.88
101-AS-1-A	Mounting Plate Assembly	3.50
101-AS-2-A	Ratchet Assembly	1.50
101-AS-3-A	Drive Arm Assembly	1.30
101-AS-4	Reset Arm Assembly	.50
101-AS-5	Escapement Arm Assembly	.50
101-AS-8	Replay Disc Assembly	2.50
101-AS-12	Replay Unit Assembly - Complete	17.00
101-SP-1-A	Drive Spring	.07
101-SP-2-A	Torsion Spring	.26
101-SP-4	Reset Armature Spring	.04
101-SP-5	Lock Arm Spring	.04
1248	Switch Plate	.06
2387	Pivot Post	.16
2503-B	Shoulder Screw	.16
4650	Switch Mounting Bracket Assembly	.22
4708	Coil Stop Assembly	.34
6223	Hairpin Clip	.04
6227	Hairpin Clip	.03
A25-950	Drive Coil	1.50
B29-1600	Reset Coil	1.50

CORRECTED PAGE
 Replace old page in
 your catalog.
 7-1957

Important: ALWAYS MENTION NAME OF GAME, UNIT, PART NUMBER, AND DESCRIPTION

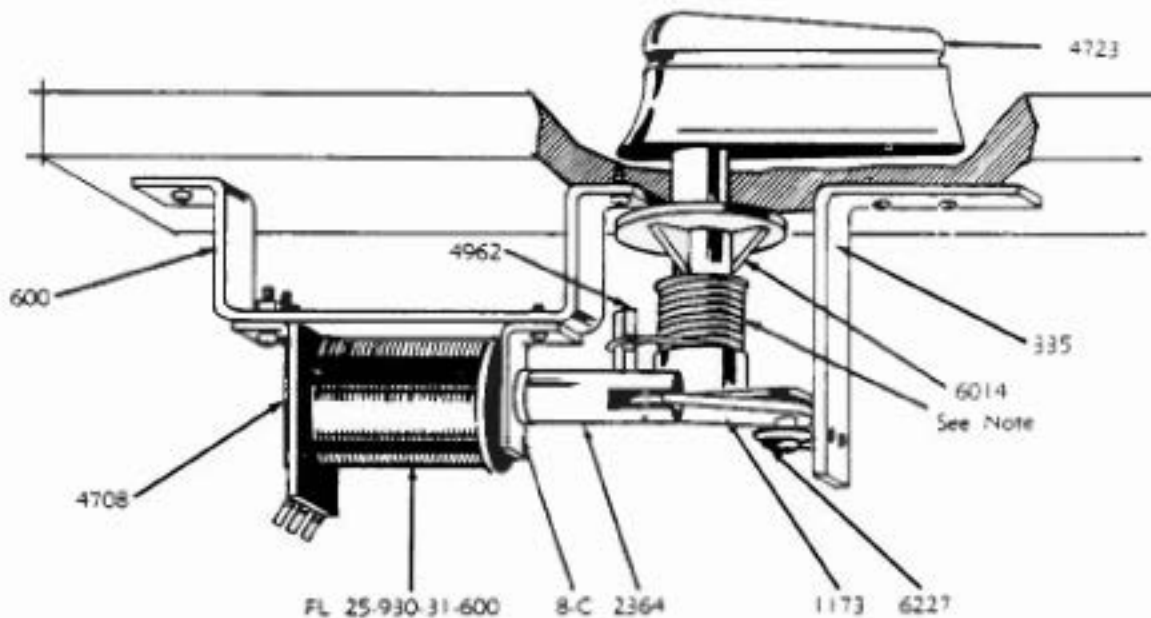
4736 DRUM UNIT ASSEMBLY



PART No.	DESCRIPTION	PRICE
102-A-SP	Index Pawl Spring	.07
123-SP	Drive Spring	.08
12L9	Switch Plate	.06
1628	Stop Bracket	.12
2496	Armature	.70
4703	Index Pawl Assembly	.50
4706	Drive Pawl Crank Assembly	.80
4708	Coil Stop Assembly	.34
4709	Ratchet Assembly	1.40
4712-E	Mounting Plate Assembly	2.50
4713-A-	Terminal Strip Assembly (Specify number of lugs required)	.70
4722	Contact Finger Assembly	.30
4736	DRUM UNIT ASSEMBLY - COMPLETE	18.00
4976	Drive Pawl Assembly	.50
5003	Contact Disc Assembly	.80
20-8590	Drive Pawl Stop	.20
6226	Hairpin Clip	.03
6227	Hairpin Clip	.03
6516	Speed Nut	.03
7595	Screened Reel (Specify color)	1.80
DU26-1250	Drum Unit Coil	1.60
SW-1-GB	"9" Position Switch	.40
SW-1-OC	"0" Position Switch	.40
SW-2-DR	Drive Pawl Switch	.40

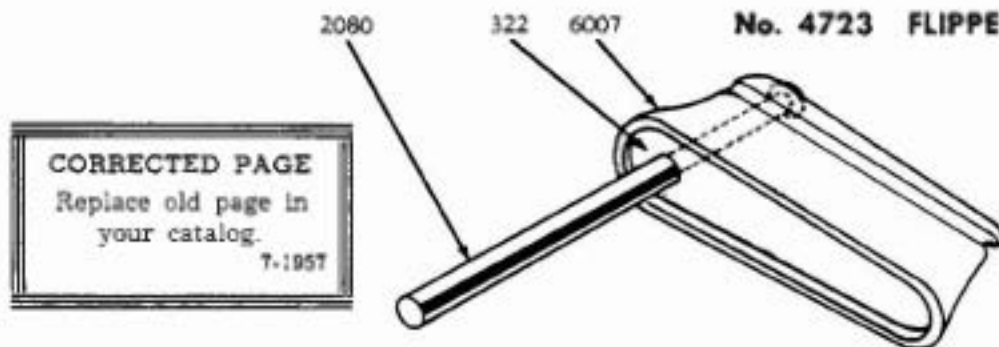
Important: ALWAYS MENTION NAME OF GAME, UNIT, PART NUMBER, AND DESCRIPTION

No. 5163 FLIPPER & COIL ASSEMBLY



NOTE 127-SP RIGHT FLIPPER ASSEMBLY
136-SP LEFT FLIPPER ASSEMBLY

No. 4723 FLIPPER ASSEMBLY

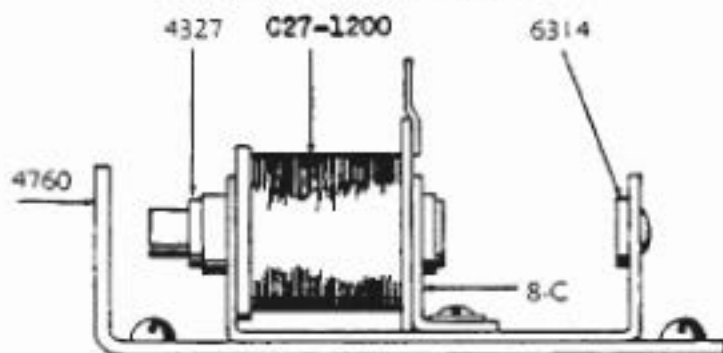


CORRECTED PAGE
Replace old page in
your catalog.
7-1957

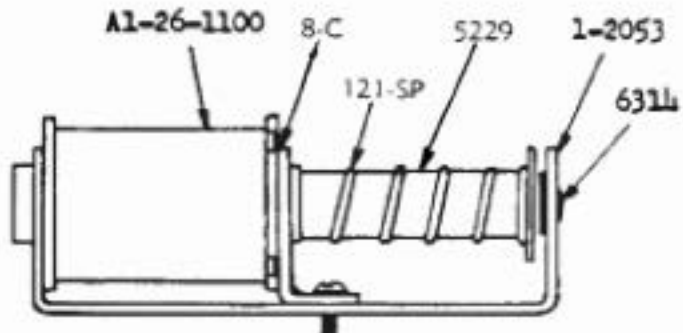
PART No.	DESCRIPTION	PRICE
8-C	Coil Bracket	.15
127-SP	Pawl Spring - Right	.24
136-SP	Pawl Spring - Left	.24
322	Flipper Base	.14
335	Flipper Spring Bracket	.14
600	Coil Mounting Bracket	.30
1173	Armature Link	.20
2080	Flipper Shaft	.14
2364	Armature	.50
4708	Coil Stop Assembly	.34
4723	Flipper Assembly - Specify Color & Large or Small "F"	.50
4962	Flipper Pawl Assembly	.40
5163	Flipper & Coil Assembly - Complete	5.00
6007	Plastic Flipper - Specify Color & Large or Small "F"	.16
6014	Nylon Flipper Bushing	.30
6227	Hairpin Clip	.03
FL25-930-31-600	Flipper Coil	1.50

Important: ALWAYS MENTION NAME OF GAME, UNIT, PART NUMBER, AND DESCRIPTION

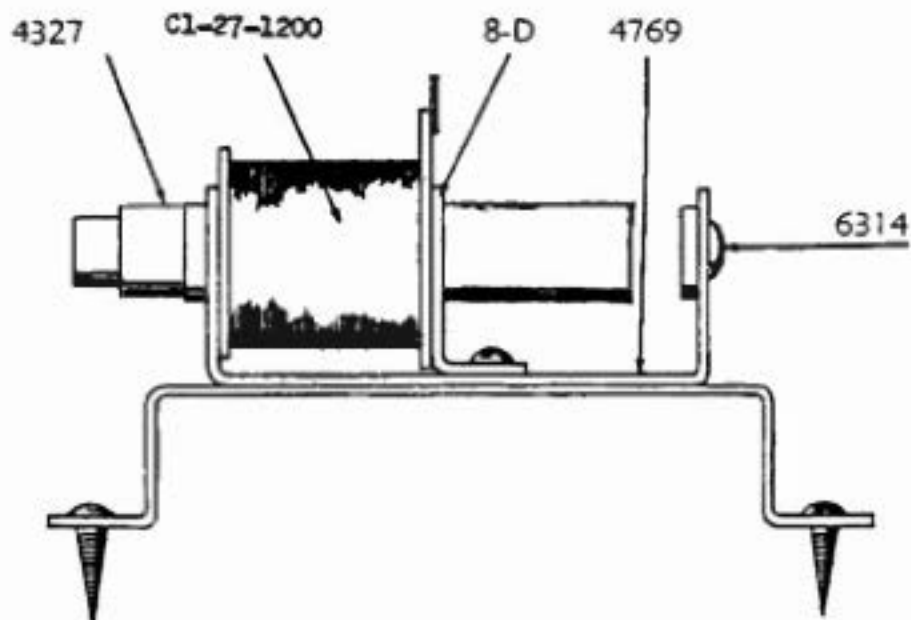
4761 KNOCKER ASSEMBLY



5230 SHOOTER COIL ASSEMBLY



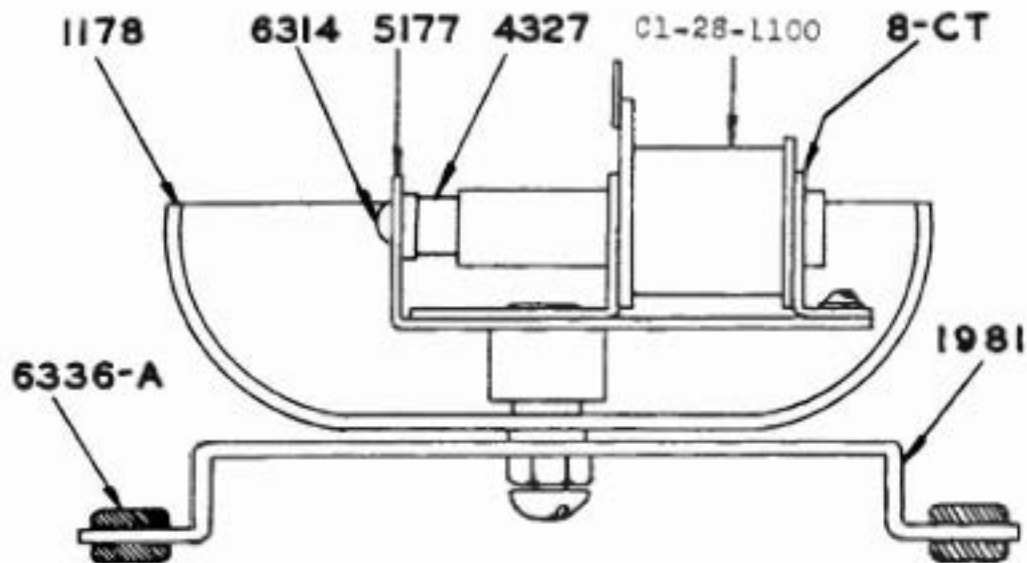
4770 BELL COIL ASSEMBLY



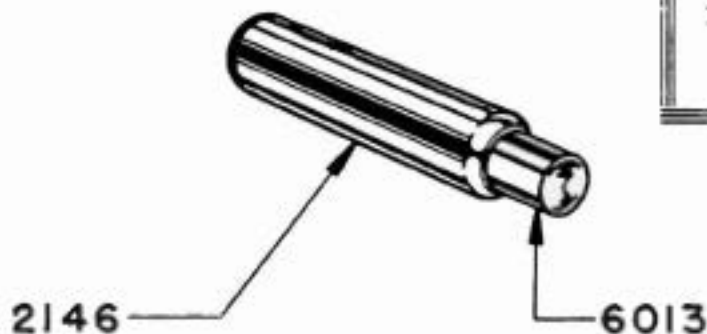
PART No.	DESCRIPTION	PRICE
8-C	Coil Bracket	.15
8-D	Coil Bracket	.15
1-2053	Shooter Coil Bracket	.40
121-SP	Plunger Spring	.07
4327	Bell Armature Assembly	.54
4760	Knocker Mounting Assembly	.75
4761	Knocker Assembly - Complete	3.00
4769	Bell Coil Mounting Assembly	.75
4770	Bell Coil Assembly - Complete	3.10
5229	Armature Assembly	.60
5230	Shooter Coil Assembly - Complete	2.85
6314	Rubber Bumper	.08
A1-26-1100	Shooter Coil	1.50
C27-1200	Knocker Coil	1.50
C1-27-1200	Bell Coil	1.50

Important: ALWAYS MENTION NAME OF GAME, UNIT, PART NUMBER, AND DESCRIPTION

5190- 5" BELL ASSEMBLY



4327 BELL ARMATURE ASSEMBLY



CORRECTED PAGE

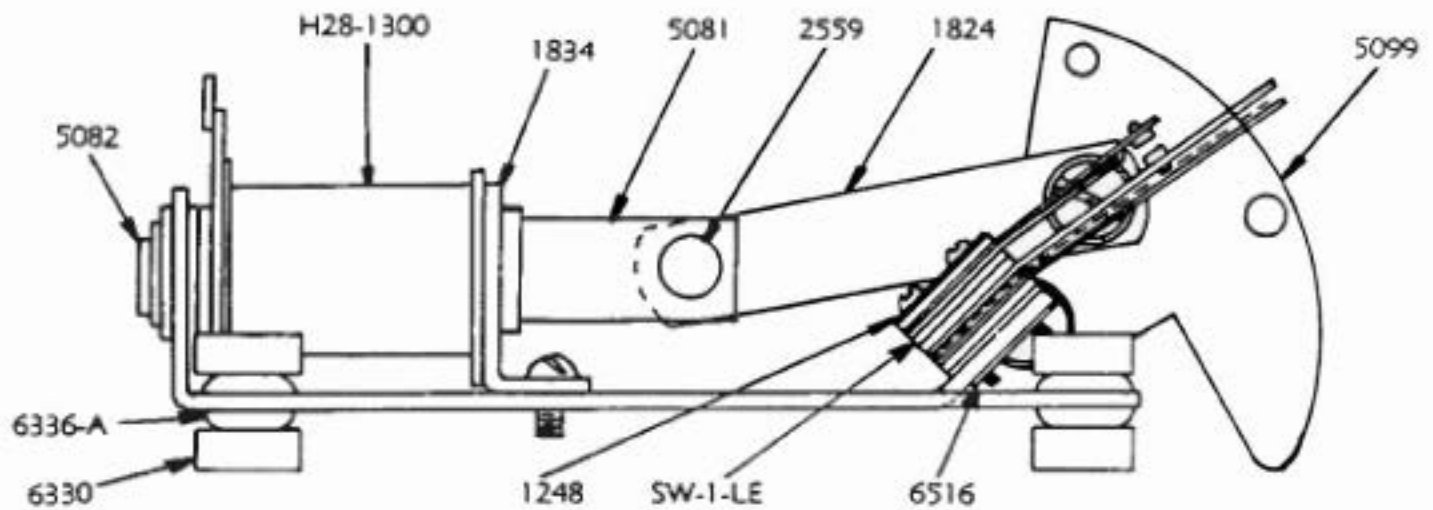
Replace old page in
your catalog.

7-1957

PART No.	DESCRIPTION	PRICE
8-CT	Coil Bracket	.25
1178	5" Bell Shell	2.10
1981	Bell Mounting Bracket	.30
2146	Bell Armature	.40
4327	Bell Armature Assembly	.54
5177	Coil Bracket Assembly	.60
5190	5" Bell Assembly - Complete	5.40
6013	Nylon Plunger	.12
6336-A	Rubber Grommet	.03
C1-28-1100	Bell Coil	1.40

Important: ALWAYS MENTION NAME OF GAME, UNIT, PART NUMBER, AND DESCRIPTION

5090 BALL RELEASE ASSEMBLY — SEE NOTE



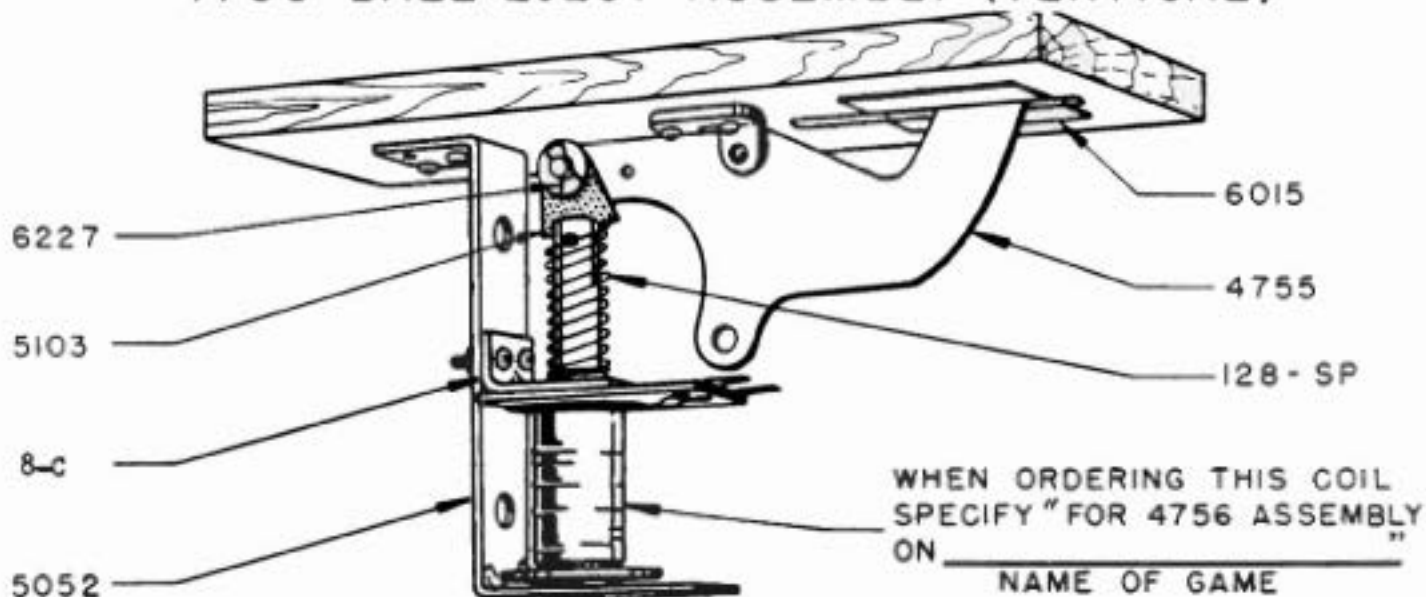
NOTE: Order 5090 for Score Pool -
5090-A for Diamond Pool and Olym-
pic - 5090-B for Olympic (No Switch)

72-SP Spring used on assembly - not shown.

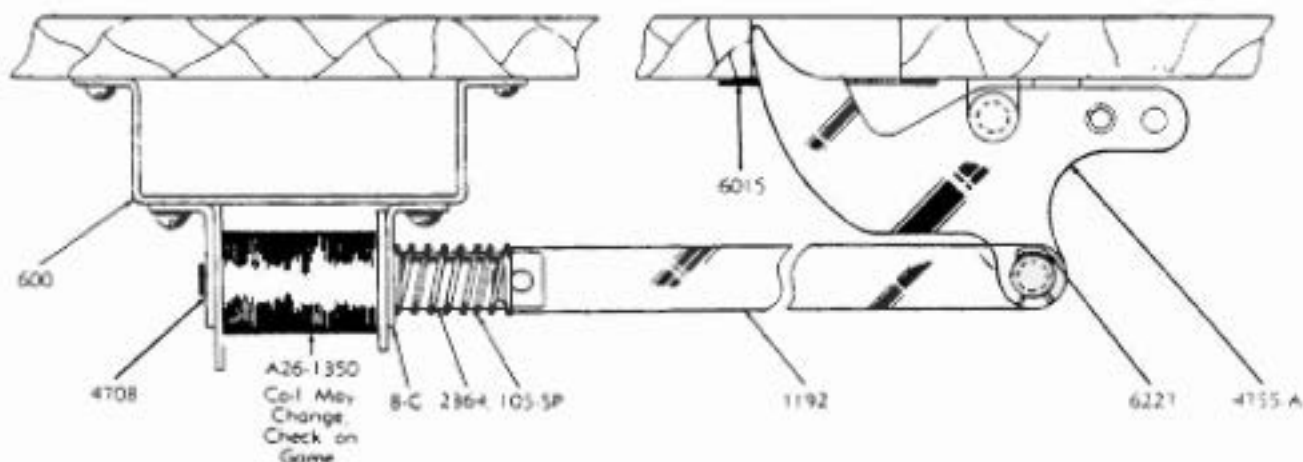
PART No.	DESCRIPTION	PRICE
72-SP	Spring	.08
1248	Switch Plate	.06
1824	Link	.35
1834	Coil Bracket	.15
2559	Armature Pin	.18
5081	Armature Assembly	.50
5082	Coil Stop Assembly	.60
5090	Ball Release Assembly - Complete	4.75
5090-A	Ball Release Assembly - Complete	4.75
5090-B	Ball Release Assembly - Complete	4.35
5099	Cam & Stud Assembly	.40
6330	Shock Mount Rubber	.03
6336-A	Rubber Grommet	.03
6516	Speed Nut	.03
H28-1300	Coil	1.90
SW-1-LE	Switch	.40

Important: ALWAYS MENTION NAME OF GAME, UNIT, PART NUMBER, AND DESCRIPTION

4756 BALL EJECT ASSEMBLY (VERTICAL)



No. 4759 BALL EJECT ASSEMBLY (with Link)

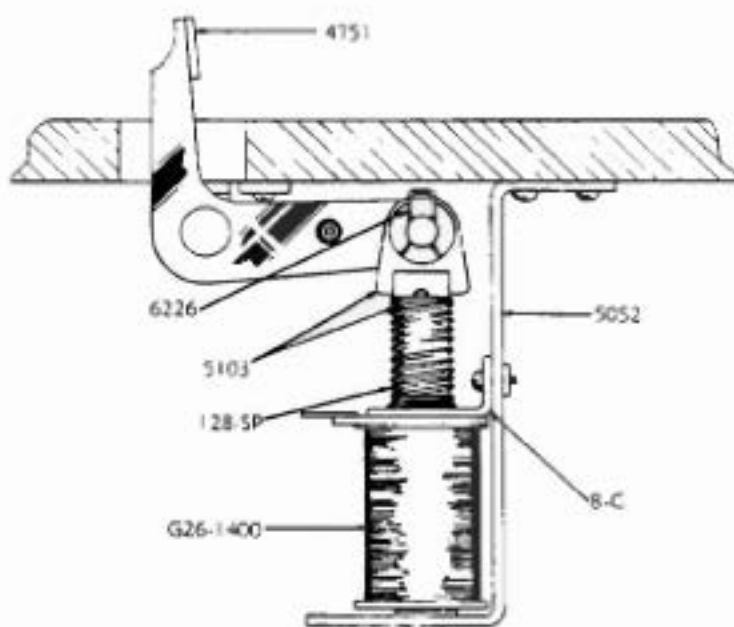


PART No.	DESCRIPTION	PRICE
8-C	Coil Bracket	.25
105-SP	Kicker Spring	.08
128-SP	Kicker Spring	.08
600	Coil Mounting Bracket	.30
1192	Link - Specify Game	.30
2364	Armature	.50
4708	Coil Stop Assembly	.34
4755	Ball Ejector Assembly	1.00
4755-A	Ball Ejector Assembly	1.00
4756	Ball Ejector Assembly (Vertical) - Complete	4.75
4759	Ball Ejector Assembly (with Link) - Complete	4.75
5052	Bracket Assembly	.60
5103	Plunger Assembly	.72
6015	Eject Hole Shield	.10
6227	Hairpin Clip	.03
A26-1350	Coil - Ball Eject Assembly with Link - Check Unit for Coil No.	1.50
	Ball Eject Coil - Vertical - Specify Game	1.60

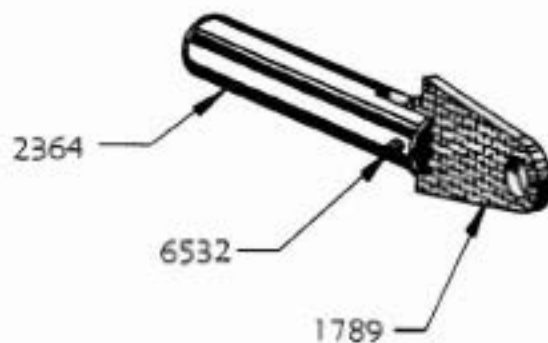
CORRECTED PAGE
 Replace old page in
 your catalog.
 7-1957

Important: ALWAYS MENTION NAME OF GAME, UNIT, PART NUMBER, AND DESCRIPTION

5104 KICKER ASSEMBLY



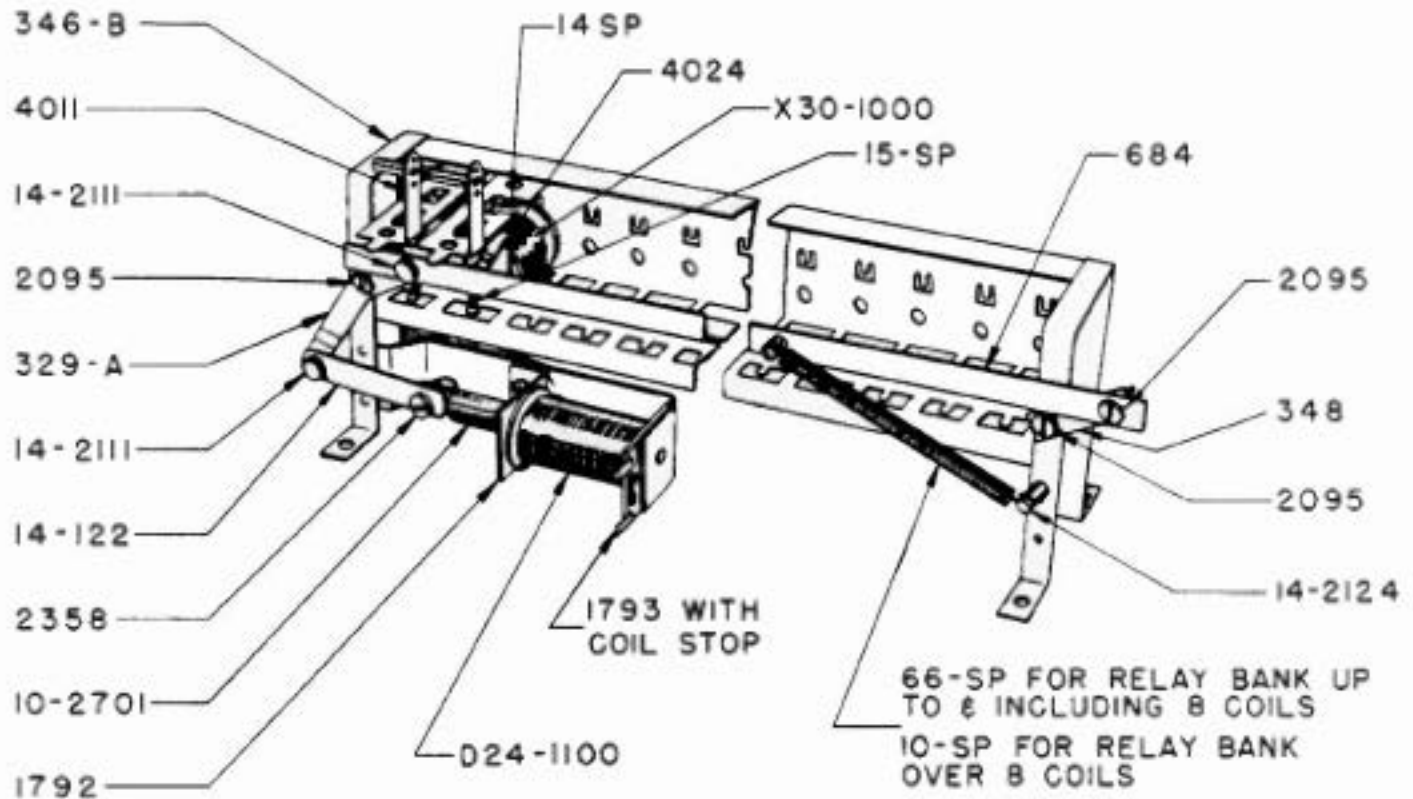
5103 PLUNGER ASSEMBLY



PART No.	DESCRIPTION	PRICE
8-C	Coil Bracket	.25
128-SP	Kicker Spring	.04
1789	Fibre Link	.16
2364	Armature	.50
4751	Kicker Crank Assembly	1.50
5052	Bracket Assembly	.60
5103	Plunger Assembly	.70
5104	Kicker Assembly - Complete	5.00
6226	Hairpin Clip	.03
6532	Roll Pin	.02
G26-1400	Kicker Coil	1.65

Important: ALWAYS MENTION NAME OF GAME, UNIT, PART NUMBER, AND DESCRIPTION

RELAY BANK ASSEMBLY



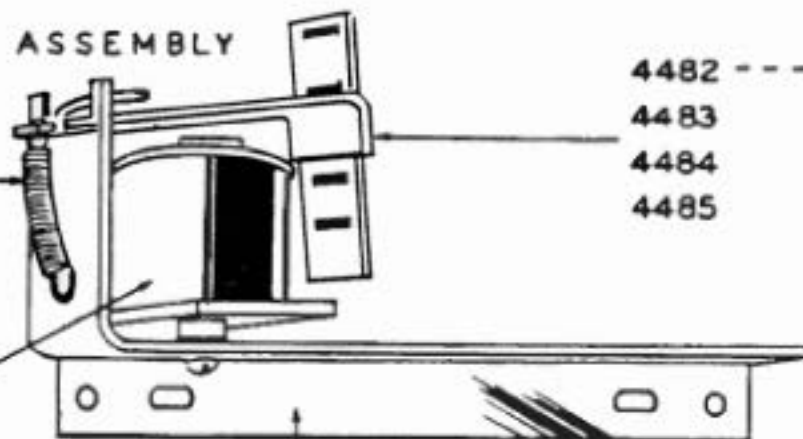
PART No.	DESCRIPTION	PRICE
10-SP	Reset Spring - For Bank over 8 Coils	.08
14-SP	Flap Spring (Heavy)	.05
15-SP	Flap Spring (Light)	.04
31-A	Relay Bank Frame - Specify Game	Write for prices.
66-SP	Reset Spring - For Bank up to & including 8 Coils	.08
329-A	Swivel Arm	.16
346-B	Relay Bank Leg	.80
348	Reset Bar Link	.14
684	Reset Bar - Specify Game	.70
1792	Coil Retaining Bracket	.30
1793	Reset Coil Mounting Bracket & Rivet	.75
1794	Reset Coil Mounting Support	.22
2089	Stud	.05
2095	Shoulder Screw	.15
2358	Shoulder Screw	.16
2368	Shock Mount Bushing	.04
4011	Brass Flap Assembly	.40
4011-S	Steel Flap Bushing	.14
4024	Armature Flap Assembly	.18
6330	Rubber Shock Mount	.03
D24-1100	Reset Coil (Coil may vary - Specify Game)	2.00
X30-1000	Relay Bank Coil	.80
	Relay Bank Assembly - Complete - Specify Game	Write for prices.

Important: ALWAYS MENTION NAME OF GAME, UNIT, PART NUMBER, AND DESCRIPTION

4600- RELAY ASSEMBLY

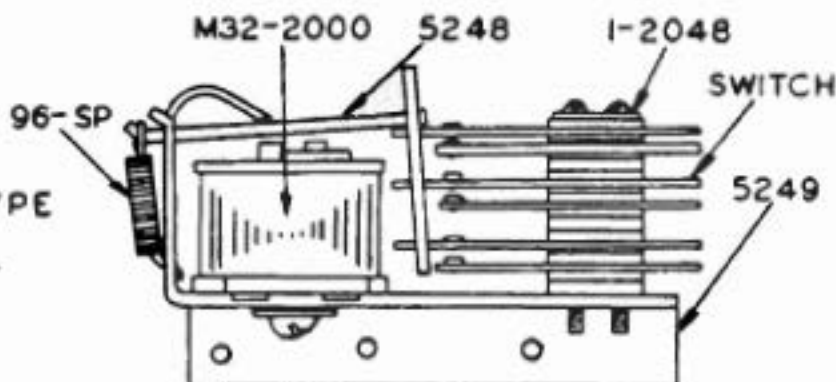
96-SP
EXCEPT ON RELAYS
WITH T32-2500 &
T31-2300 COILS.
ORDER 120-SP

WHEN ORDERING
COIL, SPECIFY NAME OF
RELAY ASSEMBLY & GAME



4482 - - - - 2 SLOT
4483 3 SLOT
4484 4 SLOT
4485 5 SLOT

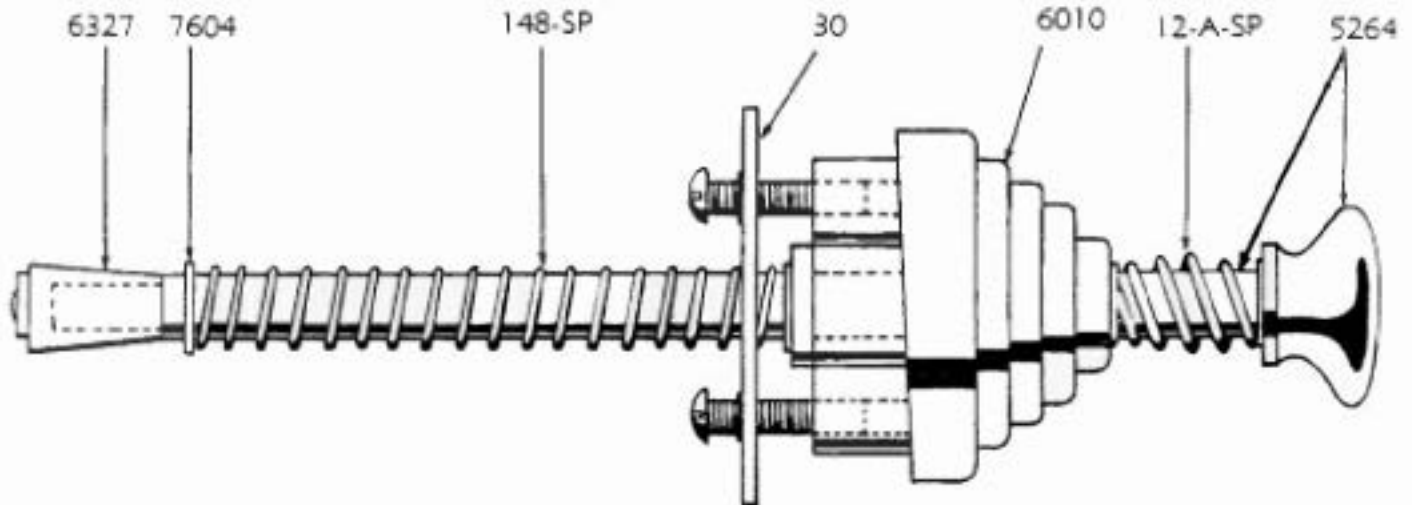
5250 "M" TYPE RELAY ASS'Y.



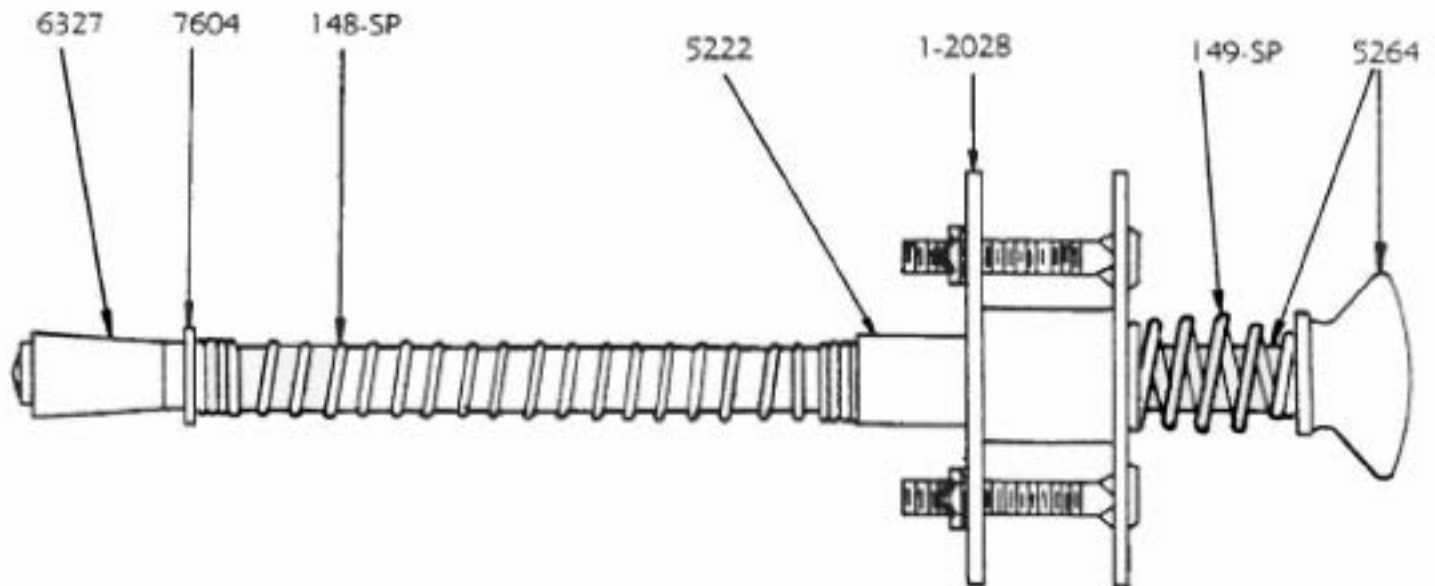
5250-1 - - - - - 3 SWITCH STACK
5250-2 - - - - - 4 SWITCH STACK

PART No.	DESCRIPTION	PRICE
96-SP	Armature Spring (See Note on drawing)	.04
120-SP	Armature Spring (See Note on drawing)	.04
910	Relay Mounting Bracket	.70
1248	Switch Plate	.06
1-2048	Switch Plate	.06
4482	2 Slot Lifter Assembly	.56
4483	3 Slot Lifter Assembly	.58
4484	4 Slot Lifter Assembly	.60
4485	5 Slot Lifter Assembly	.62
4600-2	Relay Assembly with 2 Slot Lifter - Complete	3.75
4600-3	Relay Assembly with 3 Slot Lifter - Complete	4.00
4600-4	Relay Assembly with 4 Slot Lifter - Complete	4.25
4600-5	Relay Assembly with 5 Slot Lifter - Complete	4.50
5248-1	Armature Assembly with 3 Slot Lifter	.56
5248-2	Armature Assembly with 4 Slot Lifter	.58
5249	Relay Mounting Assembly	.70
5250-1	"M" Type Relay Assembly with 3 Slot Lifter - Complete	4.00
5250-2	"M" Type Relay Assembly with 4 Slot Lifter - Complete	4.25
M32-2000	Coil for "M" Type Relay	1.50
	Switch for 4600-2 Relay Assembly	.40
	Switch for 4600-3 Relay Assembly	.48
	Switch for 4600-4 Relay Assembly	.56
	Switch for 4600-5 Relay Assembly	.64
	3 Stack Switch for "M" Type Relay Assembly	.48
	4 Stack Switch for "M" Type Relay Assembly	.56
	Relay Coils - Specify Name of Game & Relay Assembly	1.50

4732 BALL SHOOTER ASSEMBLY

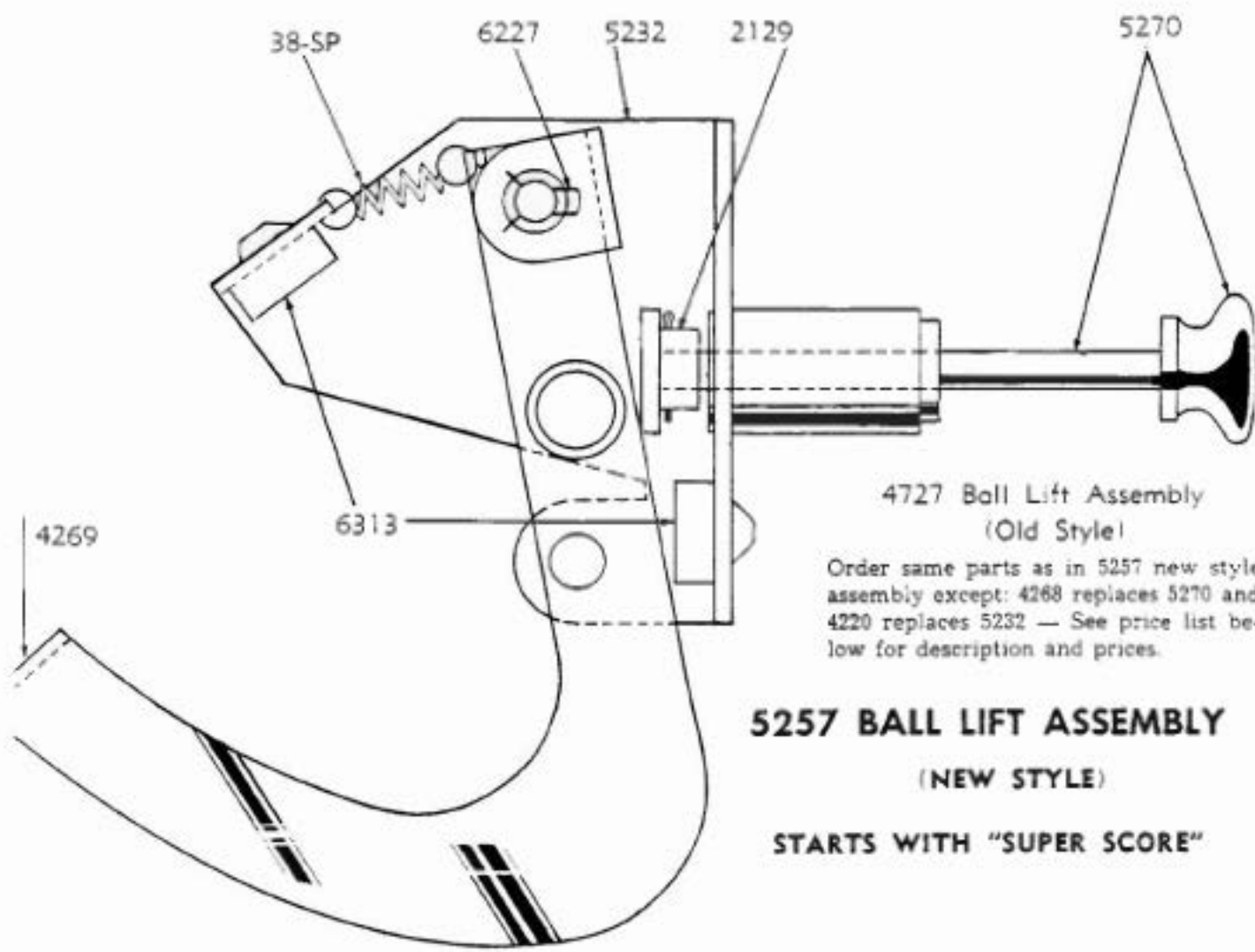


5247 NEW BALL SHOOTER ASSEMBLY



PART No.	DESCRIPTION	PRICE
12-A-SF	Ball Shooter Spring - Short	.08
30	Shooter Housing Plate	.18
148-SP	Ball Shooter Spring - Long	.07
149-SP	Ball Shooter Spring - Short	.08
1-2028	Shooter Rod Mounting Plate	.35
4732	Ball Shooter Assembly - Complete	2.50
5222	Shooter Rod Mounting Plate Assembly	.57
5247	New Ball Shooter Assembly - Complete	2.10
5264	Shooter Rod Assembly	.90
6010	Shooter Housing	.90
6327	Rubber Shooter Tip	.05
7604	Retaining Ring	.03

Important: ALWAYS MENTION NAME OF GAME UNIT PART NUMBER AND DESCRIPTION



Order same parts as in 5257 new style assembly except: 4268 replaces 5270 and 4220 replaces 5232 — See price list below for description and prices.

5257 BALL LIFT ASSEMBLY
(NEW STYLE)
STARTS WITH "SUPER SCORE"

PART No.	DESCRIPTION	PRICE
38-SP	Ball Lift Spring	.04
2129	Ball Lift Tip	.26
4220	Ball Lift Mounting Plate Assembly - Old Style.	1.85
4268	Ball Lift Rod & Knob Assembly - Old Style.	.90
4269	Ball Lift Arm Assembly	1.60
4727	Ball Lift Assembly - Old Style - Complete	4.90
5232	Ball Lift Mounting Plate Assembly - New Style.	1.90
5257	Ball Lift Assembly - New Style - Complete	5.00
5270	Ball Lift Rod & Knob Assembly - New Style	.95
6227	Hairpin Clip	.03
6313	Rubber Bumper	.08

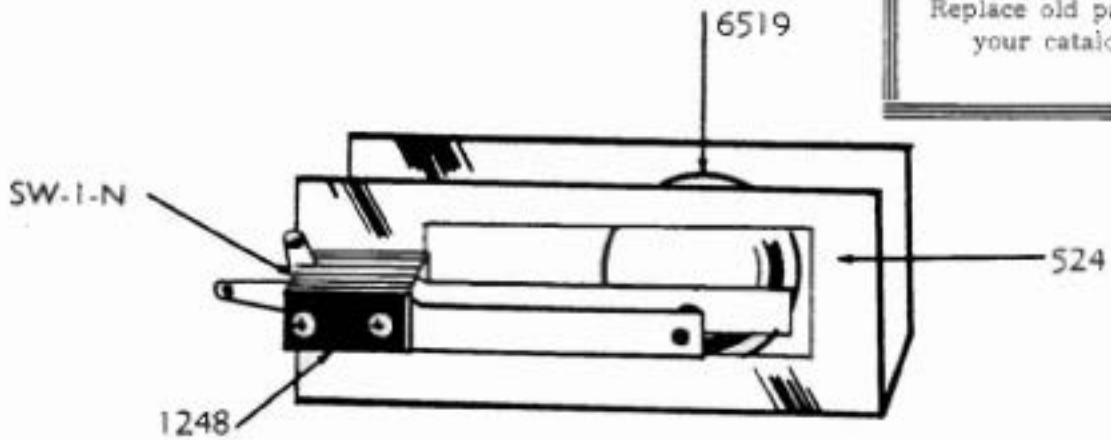
Important: ALWAYS MENTION NAME OF GAME, UNIT, PART NUMBER, AND DESCRIPTION

4724 ROLL TILT ASSEMBLY

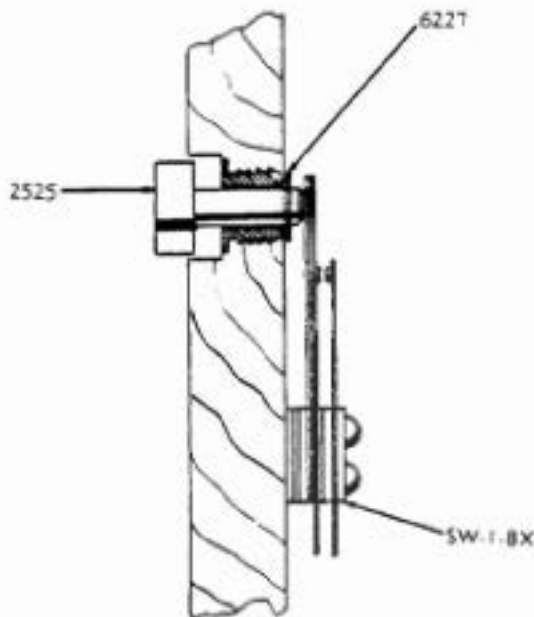
CORRECTED PAGE

Replace old page in
your catalog.

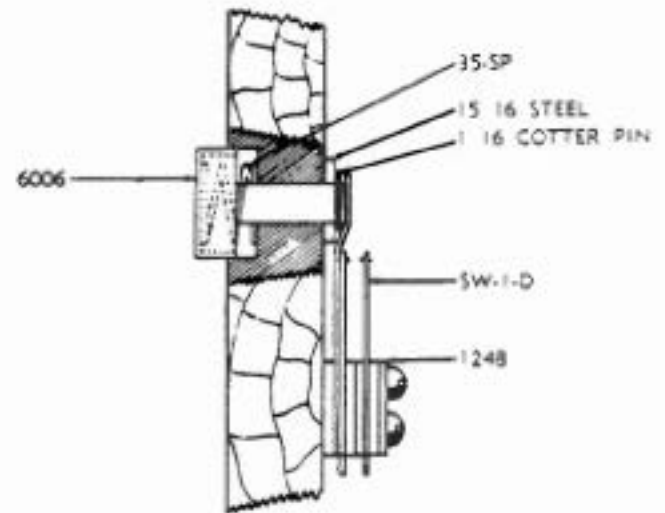
7-1957



5069 FLIPPER BUTTON ASSEMBLY (NEW STYLE)



4725 FLIPPER BUTTON ASSEMBLY (OLD STYLE)

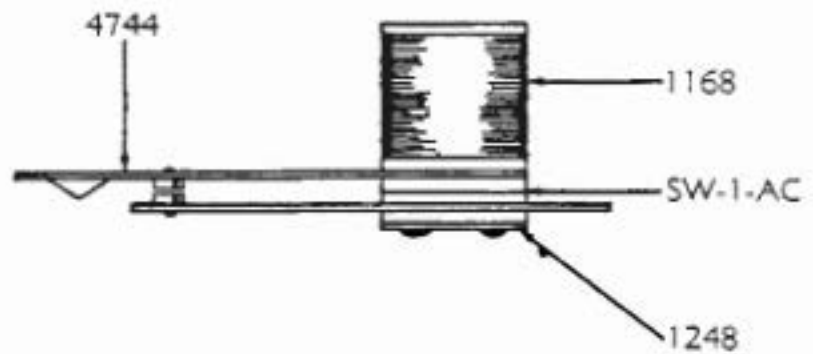
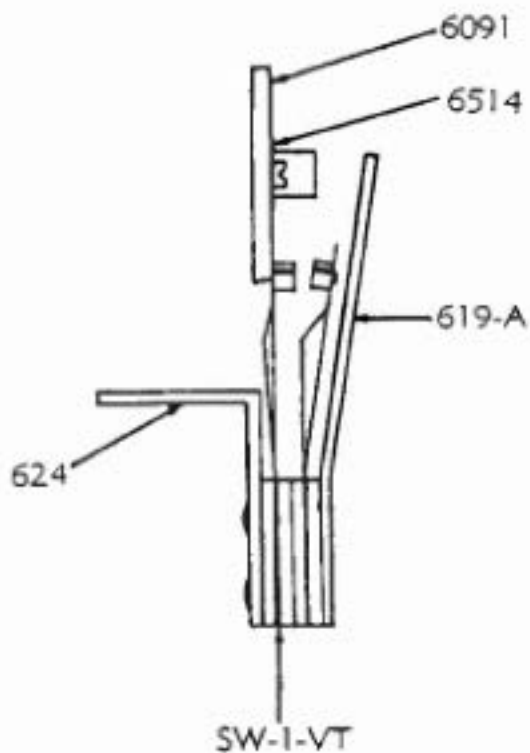


PART No.	DESCRIPTION	PRICE
35-SP	Flipper Button Spring	.05
524	Roll Tilt Bracket	.45
1248	Switch Plate	.06
2525	Flipper Button	.38
4724	Roll Tilt Assembly - Complete	1.30
4725	Flipper Button Assembly - Complete	.90
5069	Flipper Button Assembly - Complete	.85
6006	Plastic Flipper Button	.30
6227	Hairpin Clip	.03
6519	15/16" Steel Ball	.40
SW-1-D	Switch	.40
SW-1-N	Switch	.40
SW-1-BX	Switch	.40
	1/16 Cotter Pin	.02

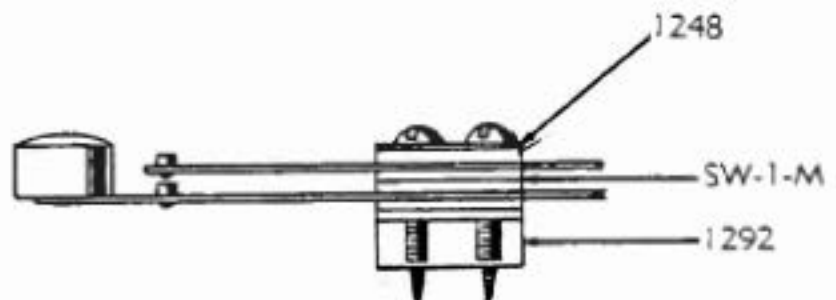
Important: ALWAYS MENTION NAME OF GAME, UNIT, PART NUMBER, AND DESCRIPTION

4749 BUMPER SWITCH BRACKET ASSEMBLY

4735 TARGET ASSEMBLY



5325 TILT SWITCH ASSEMBLY

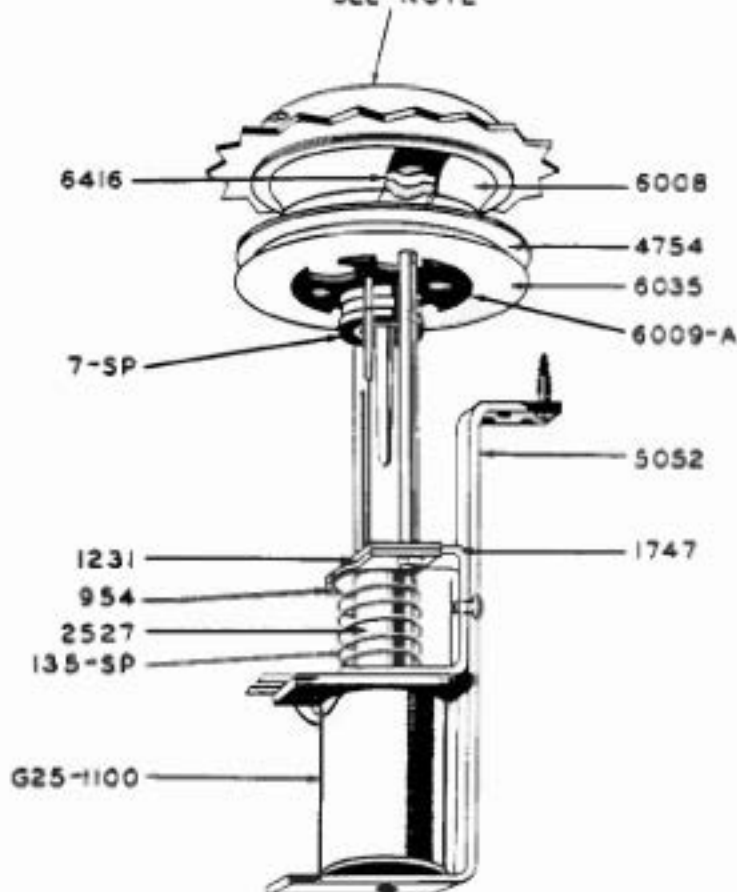


PART No.	DESCRIPTION	PRICE
619-A	Limit Bracket	.12
624	Switch Bracket	.10
1168	Bumper Switch Bracket	.18
1248	Switch Plate	.06
1292	Switch Mounting Bracket	.24
4735	Target Assembly - Complete	.88
4744	Bumper Switch Blade Assembly	.06
4749	Bumper Switch Bracket Assembly - Complete	.64
5325	Tilt Switch Assembly - Complete	.70
6091	Target Plastic	.20
6514	Speed Nut	.03
SW-1-AC	Bumper Switch	.30
SW-1-M	Tilt Switch	.30
SW-1-VT	Target Switch	.40

Important: ALWAYS MENTION NAME OF GAME, UNIT, PART NUMBER, AND DESCRIPTION

5053 THUMPER BUMPER ASSEMBLY

SEE NOTE

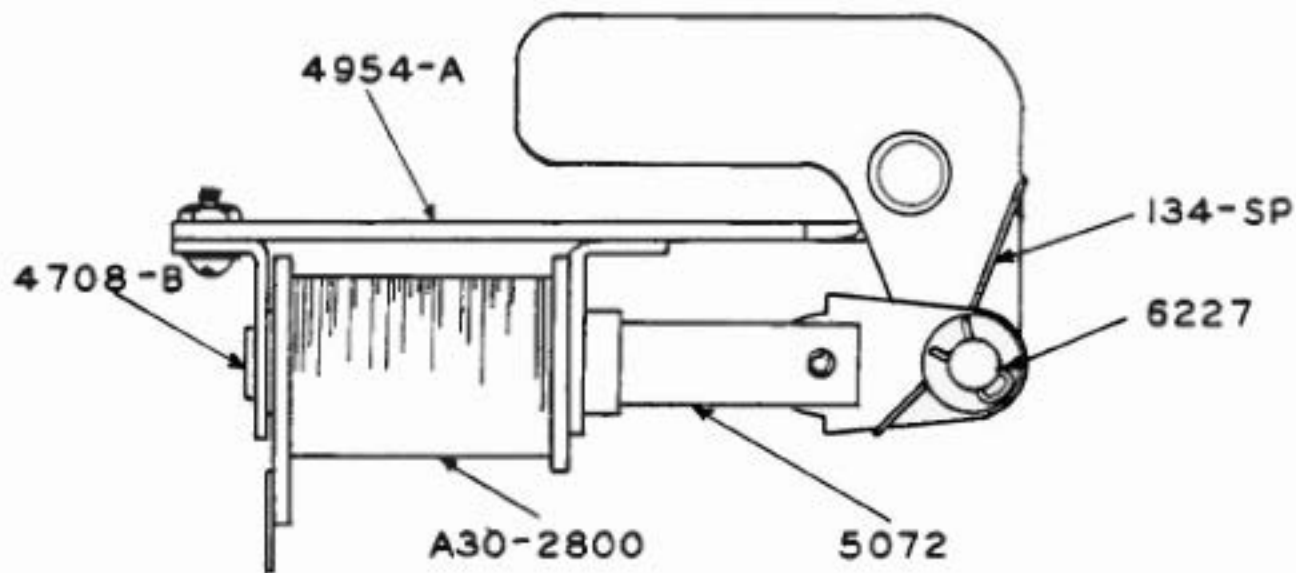


NOTE* ORDER 6019 KICKER CAP (PLAIN)
 6019-A KICKER CAP (STAMPED)
 6040 KICKER CAP WITH COLORED RIM.
 WHITE INSERT - SPECIFY STAMPING.
"SPECIFY COLOR ON ALL CAPS"

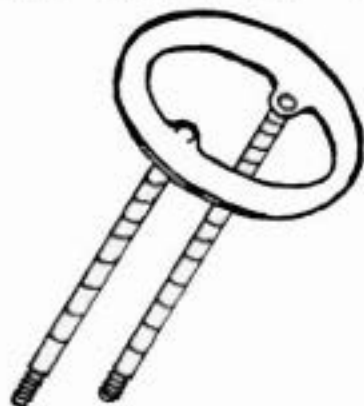
PART No.	DESCRIPTION	PRICE
7-SP	Bumper Spring	.10
135-SP	Bumper Armature Spring	.10
954	Armature Link	.18
1231	Fibre Armature Link	.16
1747	Coil Retaining Bracket	.20
2527	Armature	.50
4754	Rod & Ring Assembly	.60
5052	Bracket Assembly	.60
5053	Thumper Bumper Assembly - Complete	6.00
6008	Kicker Bumper Body	.22
6009-A	Kicker Bumper Base	.11
6019	Kicker Cap - Plain	.22
6019-A	Kicker Cap - Lettered	.30
6035	Kicker Wafer - Specify Color	.30
6040	Kicker Cap - Colored Rim - White Insert - Not lettered	.40
6040-A	Kicker Cap - Colored Rim - White Insert - Lettered	.44
6416	Bumper Socket	.15
G25-1100	Thumper Bumper Coil	1.65

Important: ALWAYS MENTION NAME OF GAME, UNIT, PART NUMBER, AND DESCRIPTION

5073 BALL RELEASE ASSEMBLY



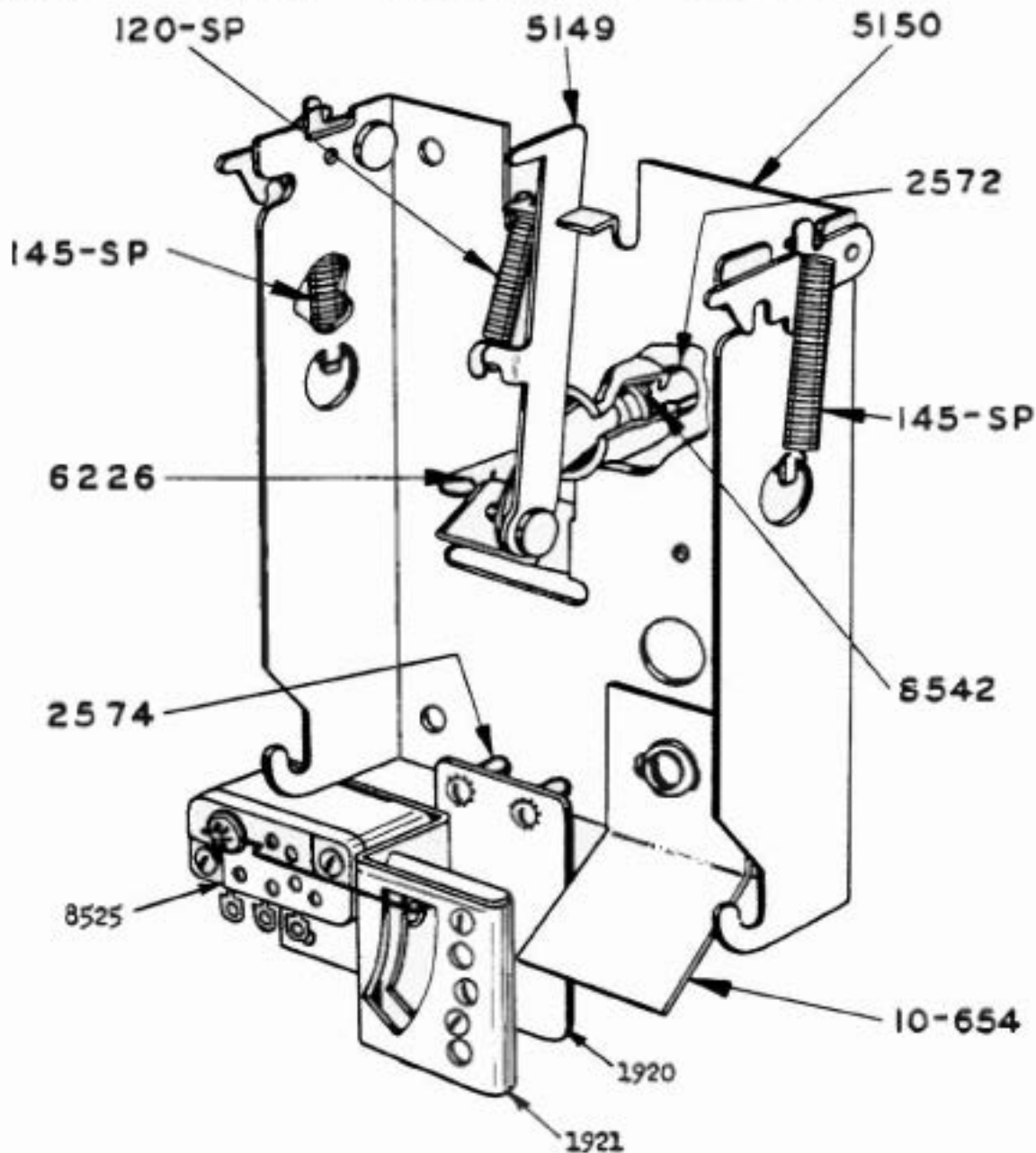
4754 THUMPER BUMPER ROD & RING ASS'Y.



PART No.	DESCRIPTION	PRICE
134-SP	Torsion Spring	.12
4708-B	Coil Stop Assembly	.34
4754	Thumper Bumper Rod & Ring Assembly	.60
4954-A	Release Arm Assembly	1.75
5072	Plunger Assembly	.76
5073	Ball Release Assembly - Complete	4.65
6227	Hairpin Clip	.03
A30-2800	Ball Release Coil	1.60

Important: ALWAYS MENTION NAME OF GAME, UNIT, PART NUMBER, AND DESCRIPTION

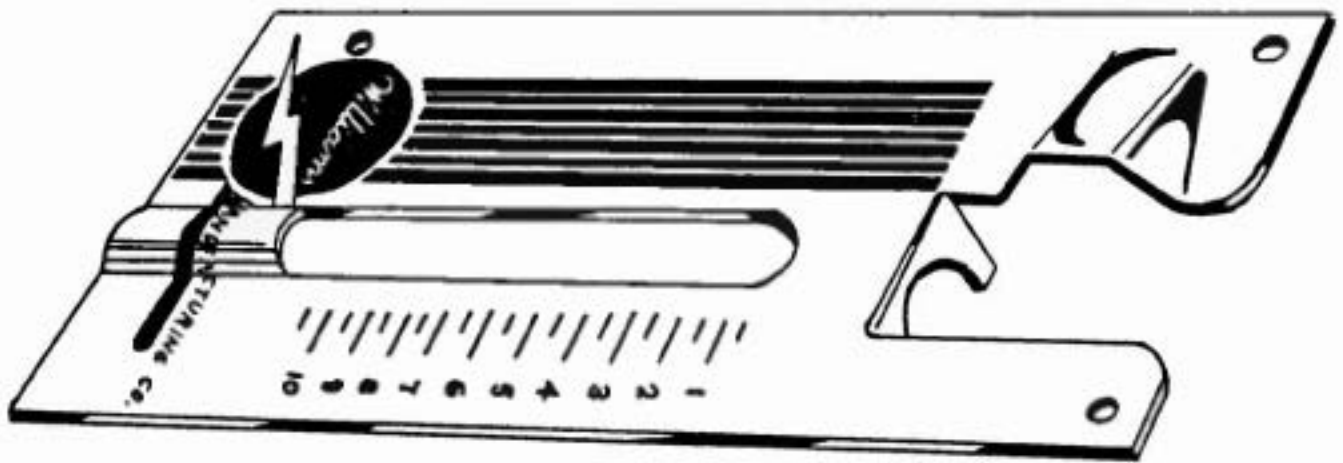
5151 SLUG REJECTOR ASSEMBLY



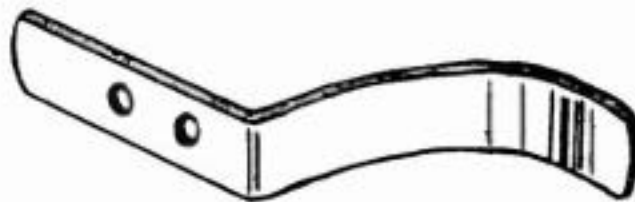
PART No.	DESCRIPTION	PRICE
120-SP	Armature Spring	.04
145-SP	Latch Spring	.08
1920	Coin Switch Mounting Plate	.40
1921	Coin Switch Bracket	1.00
2572	Plunger	.10
2574	Spacer	.16
5149	Actuating Arm Assembly	.18
5150	Slug Rejector Frame Assembly	3.00
5151	SLUG REJECTOR ASSEMBLY - COMPLETE	10.20
6226	Hairpin Clip	.03
8525	Coin Switch & Wire	2.50
8542	True-arc Ring	.06
10-654	Coin Deflector	.18

CORRECTED PAGE
 Replace old page in
 your catalog.
 7-1857

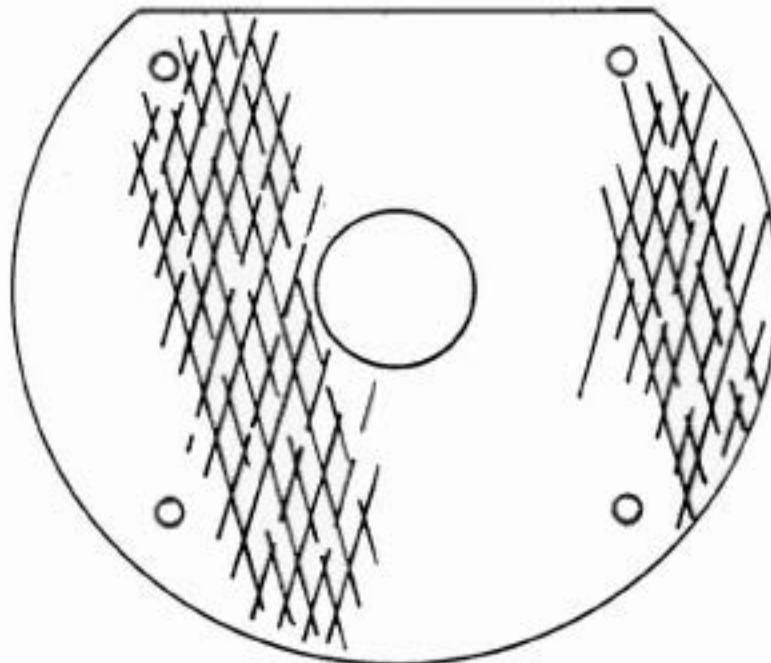
Important: ALWAYS MENTION NAME OF GAME, UNIT, PART NUMBER, AND DESCRIPTION



363 BALL SHOOTER GAUGE 1.20



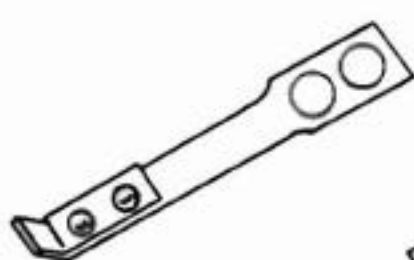
369 BALL GUIDE .60



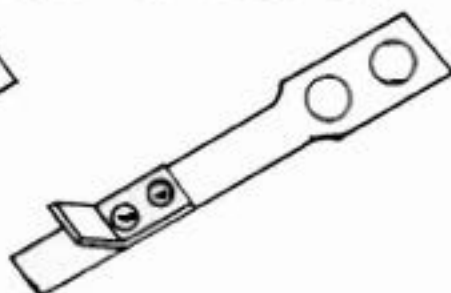
I-2051 FLIPPER BUTTON PLATE .30

Important: ALWAYS MENTION NAME OF GAME, UNIT, PART NUMBER, AND DESCRIPTION

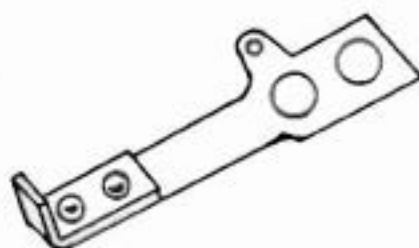
CAM FOLLOWERS & BLADE ACTUATORS



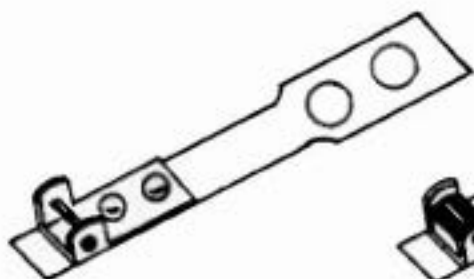
NOT AVAILABLE, USE 4608.
260-B



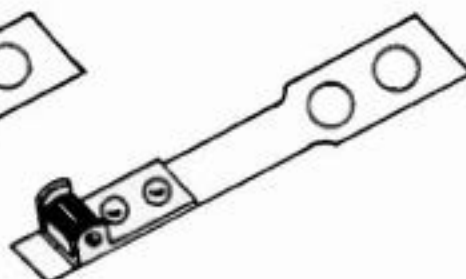
261-B



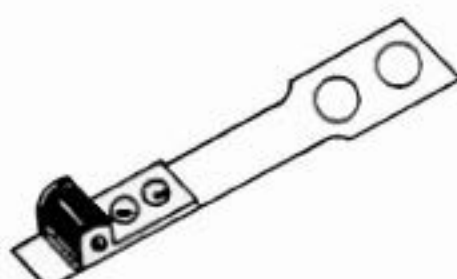
4705



4608



4608-A



4937

CORRECTED PAGE

Replace old page in
your catalog.

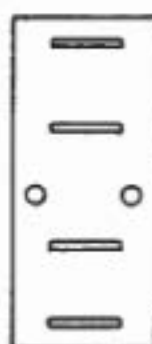
7-1957



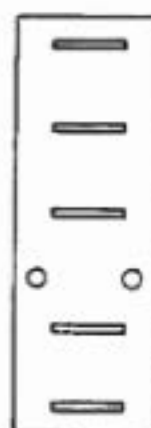
911-2



911-3



911-4



911-5

PART No.	DESCRIPTION	PRICE
260-B	Old Style Cam Follower - NOT AVAILABLE , USE #4608	.16
261-B	Old Style Cam Follower - NOT AVAILABLE, USE #4608	.16
911-2	2 Slot Switch Blade Actuator	.04
911-3	3 Slot Switch Blade Actuator	.06
911-4	4 Slot Switch Blade Actuator	.08
911-5	5 Slot Switch Blade Actuator	.10
4608	Cam Follower Assembly	.20
4608-A	Cam Follower Assembly with Small Roller	.22
4705	Cam Follower Assembly used on Drum Units	.16
4937	Cam Follower Assembly with Large Roller	.24

Important: ALWAYS MENTION NAME OF GAME, UNIT, PART NUMBER, AND DESCRIPTION

6230 KEY HOOK .09



COIN ENTRY PLATE .10

9-8561-2	10 CENT	9-8561-6	100 LIRE
9-8561-3	5 CENT	9-8561-7	25 ORB
9-8561-4	25 CENT	9-8561-8	1 KRONA
9-8561-5	50 LIRE	9-8561-9	20 FRANC

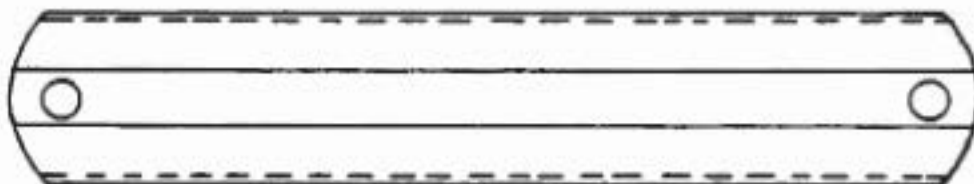


9-8561-10 20 CENTIMES
 9-8561-11 10 PFENNIG

1860 CIGARETTE HOLDER .70

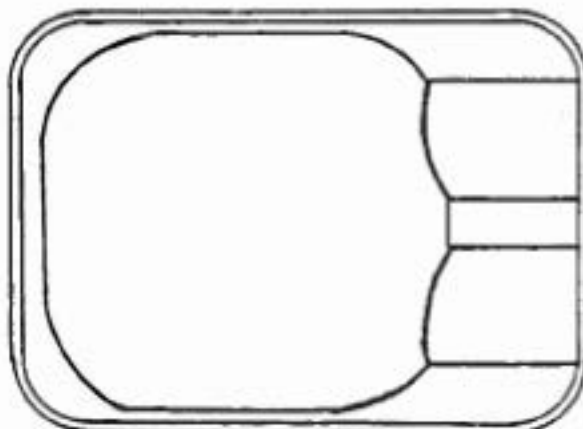


1900 CIGARETTE HOLDER .70



END VIEW

KE95-A-1 ASH TRAY 2.00



Important: ALWAYS MENTION NAME OF GAME, UNIT, PART NUMBER, AND DESCRIPTION

COIL STOPS



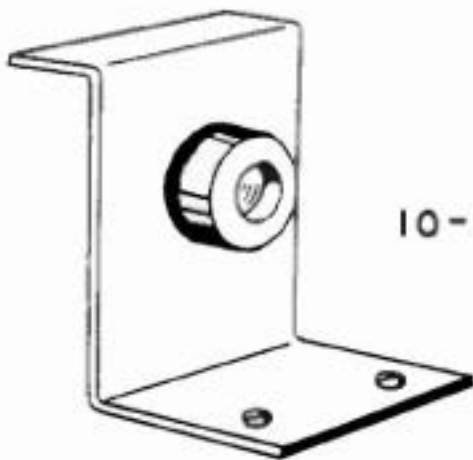
4091 ADJUSTABLE COIL STOP
.40



4708 COIL STOP
.34



101-AS-7 COIL STOP
.40



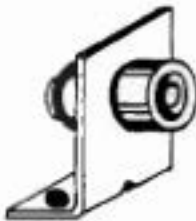
10-4705 COIL STOP
.75

Important: ALWAYS MENTION NAME OF GAME, UNIT, PART NUMBER, AND DESCRIPTION

COIL STOPS

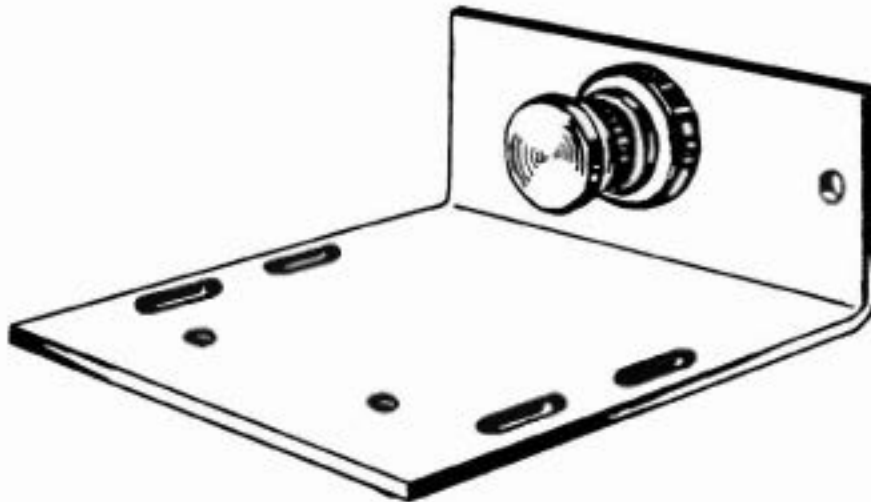


4932 COIL STOP
.42



4389 COIL STOP
.44

BRACKET & STOP ASSEMBLY



ORDER 5082 FOR POOL GAMES .60
5082-A FOR BASEBALL GAMES 1.00
"FOUR BAGGER & LATER GAMES"

Important: ALWAYS MENTION NAME OF GAME, UNIT, PART NUMBER, AND DESCRIPTION



CREATORS OF DEPENDABLE PLAY APPEAL!