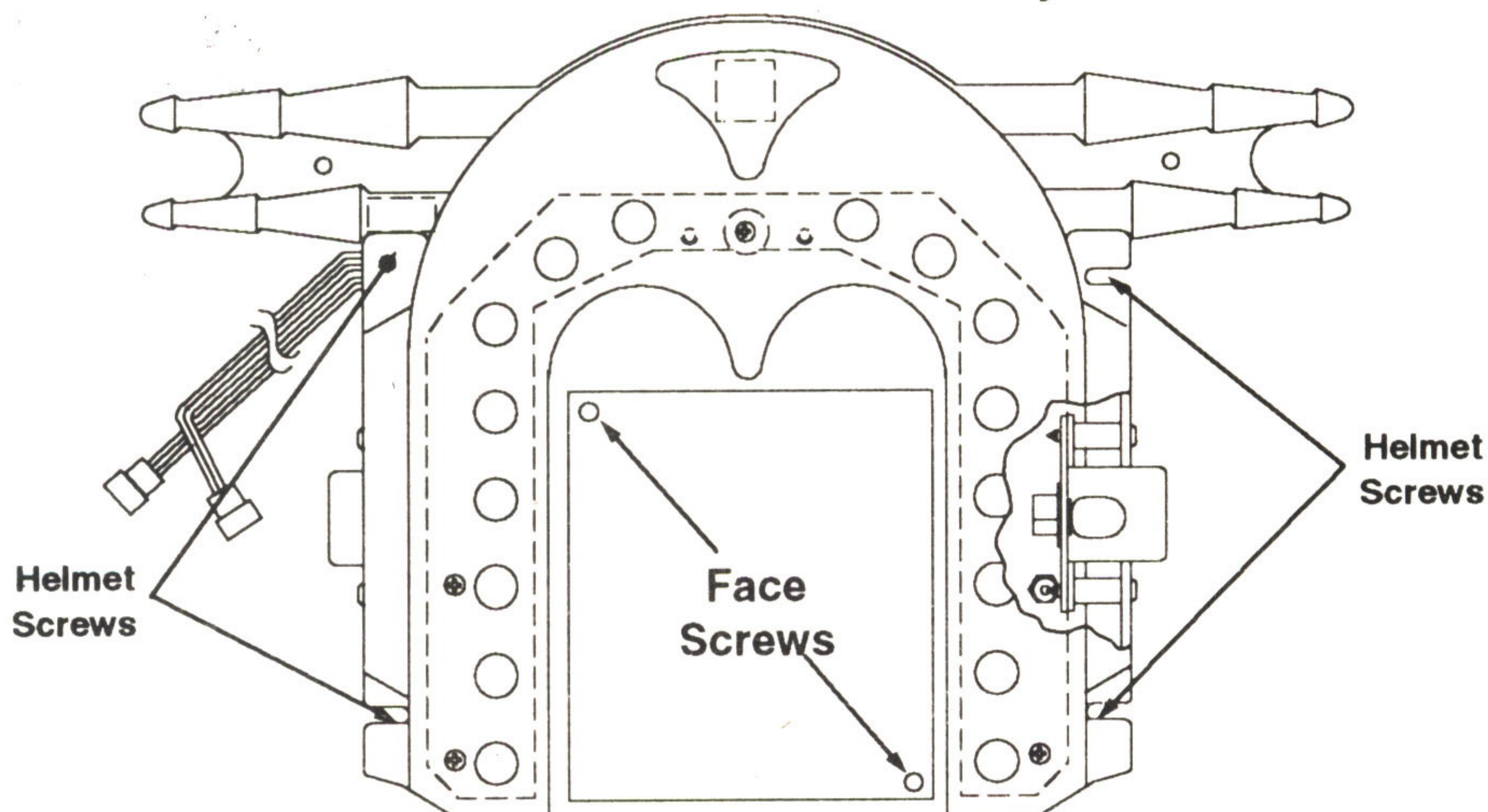


THE MACHINE: HEAD SERVICE INSTRUCTIONS (Lamps, Switches, & Coils)

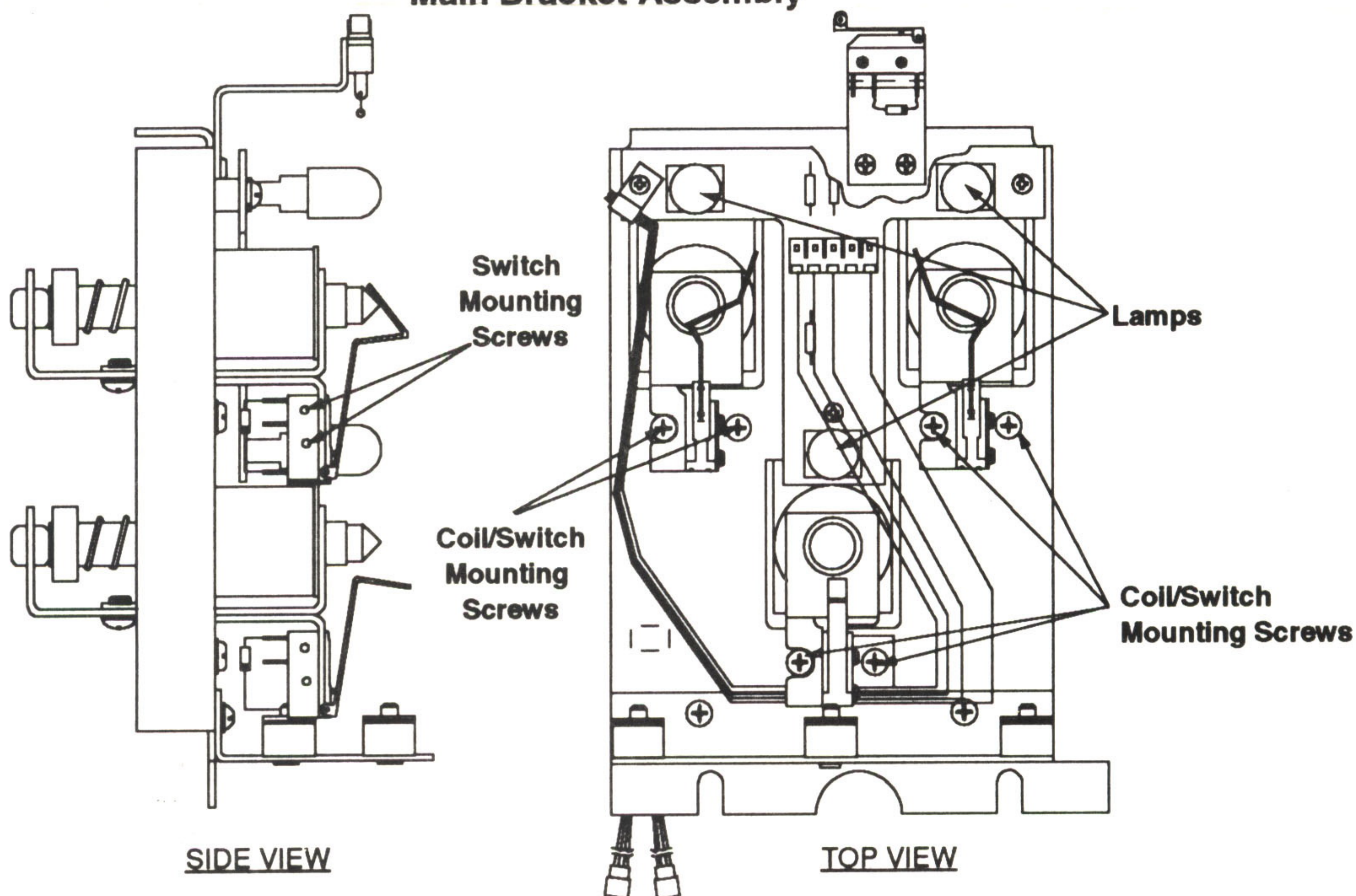
A-14508 Helmet Assembly



TO REMOVE THE HELMET ASSEMBLY & FACE PLATE:

1. Remove (4) screws, and lift off helmet assembly (as shown above).
2. Remove (2) face screws, and lift off face plate (as shown above).

**A-14120
Main Bracket Assembly**



3. To remove lamps, simply pull out desired bulbs (as shown above).
4. To remove a switch or coil:
 - a) Remove (2) screws mounting each coil/switch assembly.
 - b) Tilt individual assembly forward, and carefully lift out of head.
5. To remove a switch assembly from a coil bracket:
 - a) Remove the (2) mounting screws (located on the bracket).